

700 *SERIES*
FRAMED

SUNLINE SYNERGY

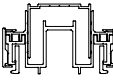
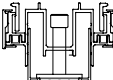

Installation Manual

V1.0

Table of Contents

Standard Specifications for Floor Channels and Top Beams — — — — —	1
Standard Specifications for Screens — — — — —	2
Edge Channel Installation — — — — —	3-5
Floor Channel Installation — — — — —	6-8
Top Beam Installation — — — — —	9-10
Square Column Installation — — — — —	11-12
Screen Installation — — — — —	13-16
Door Side Panel Installation — — — — —	17-20
Glass Door Installation — — — — —	21-26
Wooden Door Installation — — — — —	27-30

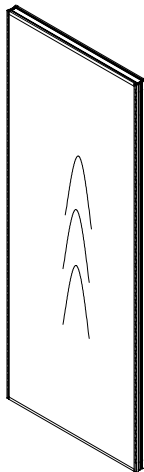
Standard Specifications for Floor Channels and Top Beams

	W400	W500	W600	W750	W800	W900	W1050	W1200	W1600	W1800	W2100	W2400	W2600	W2700	W3600	W6000
 BLK-TC	●	●	●	●	●	●	●	●	●	●	●	●	●	●	●	●
 BLK-DC	●	●	●	●	●	●	●	●	●	●	●	●	●	●	●	●
 BLK-TL	●	●	●	●	●	●	●	●	●	●	●	●	●	●	●	●

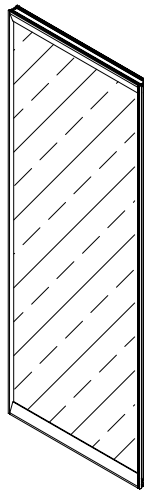
Standard Specifications for Screens



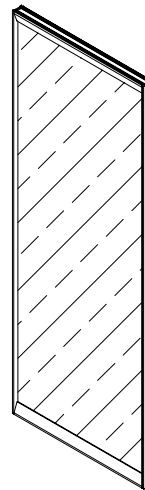
BLK-EP



BLK-MFC



BLK-STG8

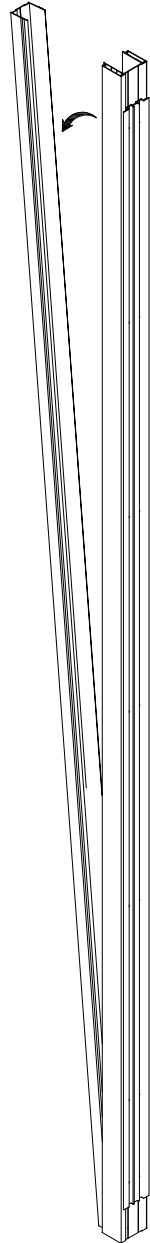
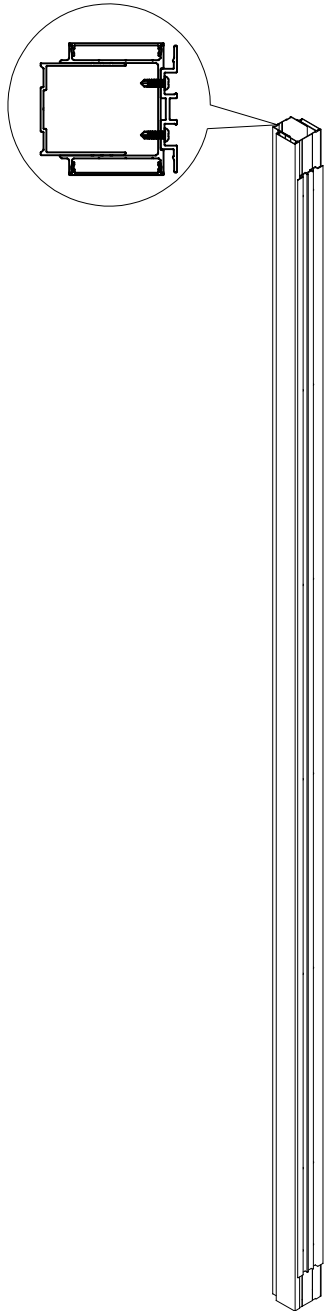


BLK-STG12

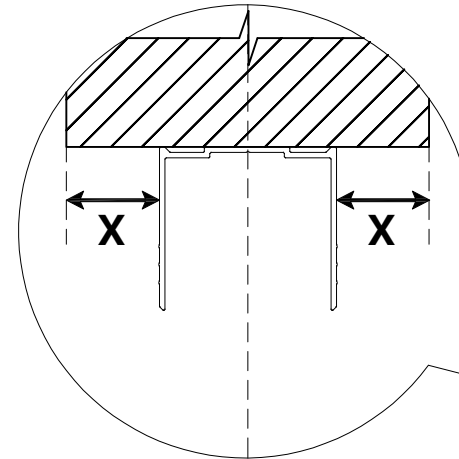
	W300	W350	W400	W500	W600	W750	W800	W900	W1050	W1100
BLK-EP	●	●	●							
BLK-MFC			●	●	●	●	●	●	●	●
BLK-STG8			●	●	●	●	●	●	●	●
BLK-STG12			●	●	●	●	●	●	●	●

	H2000	H2050	H2100	H2200	H2300	H2400	H2500	H2600	H2700
BLK-EP	●	●	●	●	●	●	●	●	●
BLK-MFC	●	●	●	●	●	●	●	●	●
BLK-STG8	●	●	●	●	●	●	●	●	●
BLK-STG12	●	●	●	●	●	●	●	●	●

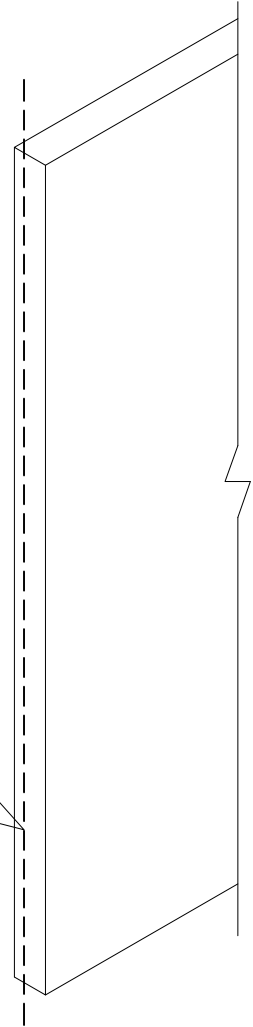
■ Edge Channel Installation



STEP1

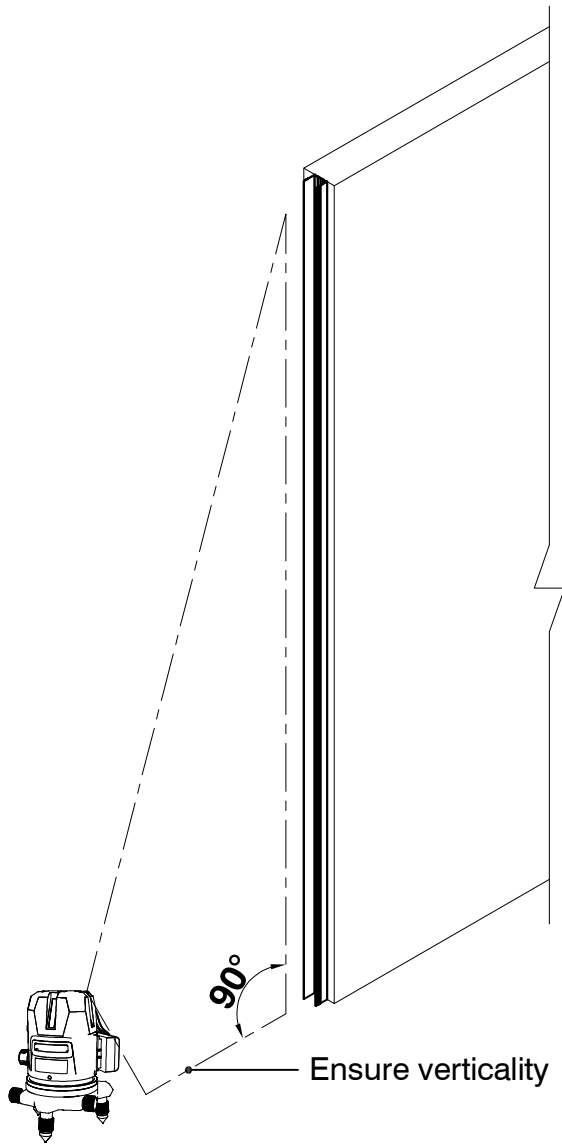


⚠ **Confirm the product's installation position**

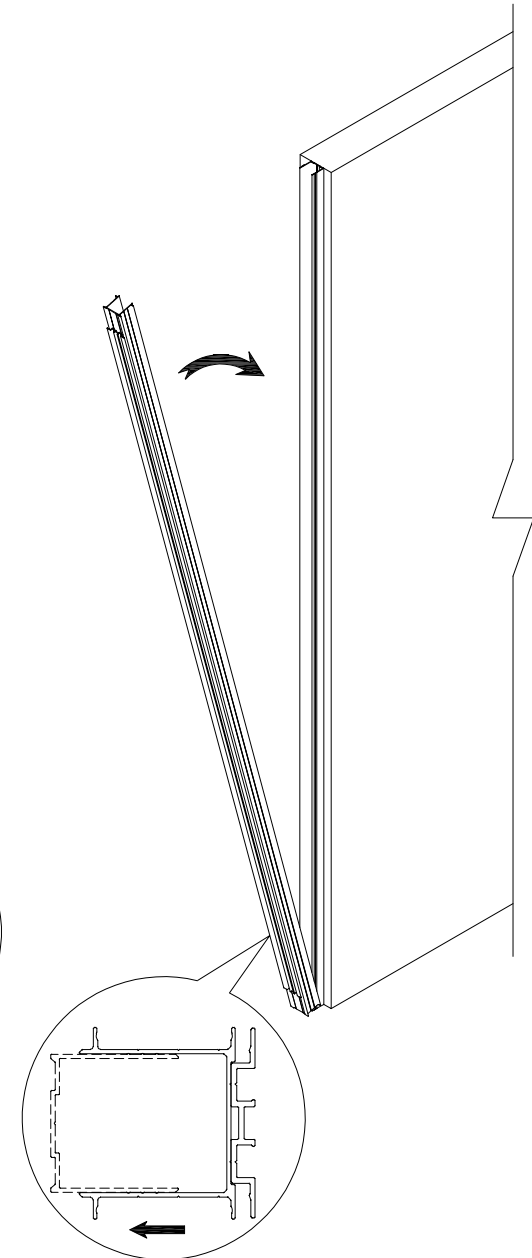
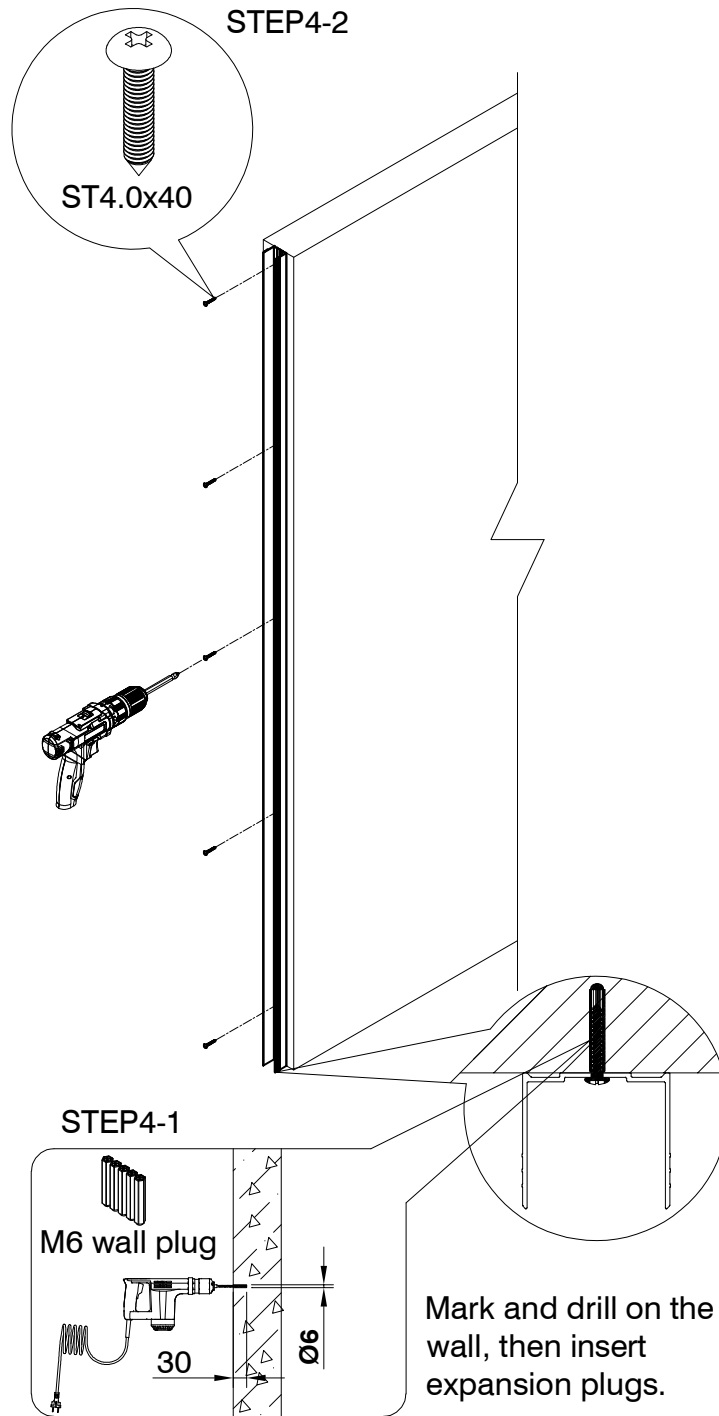


STEP2

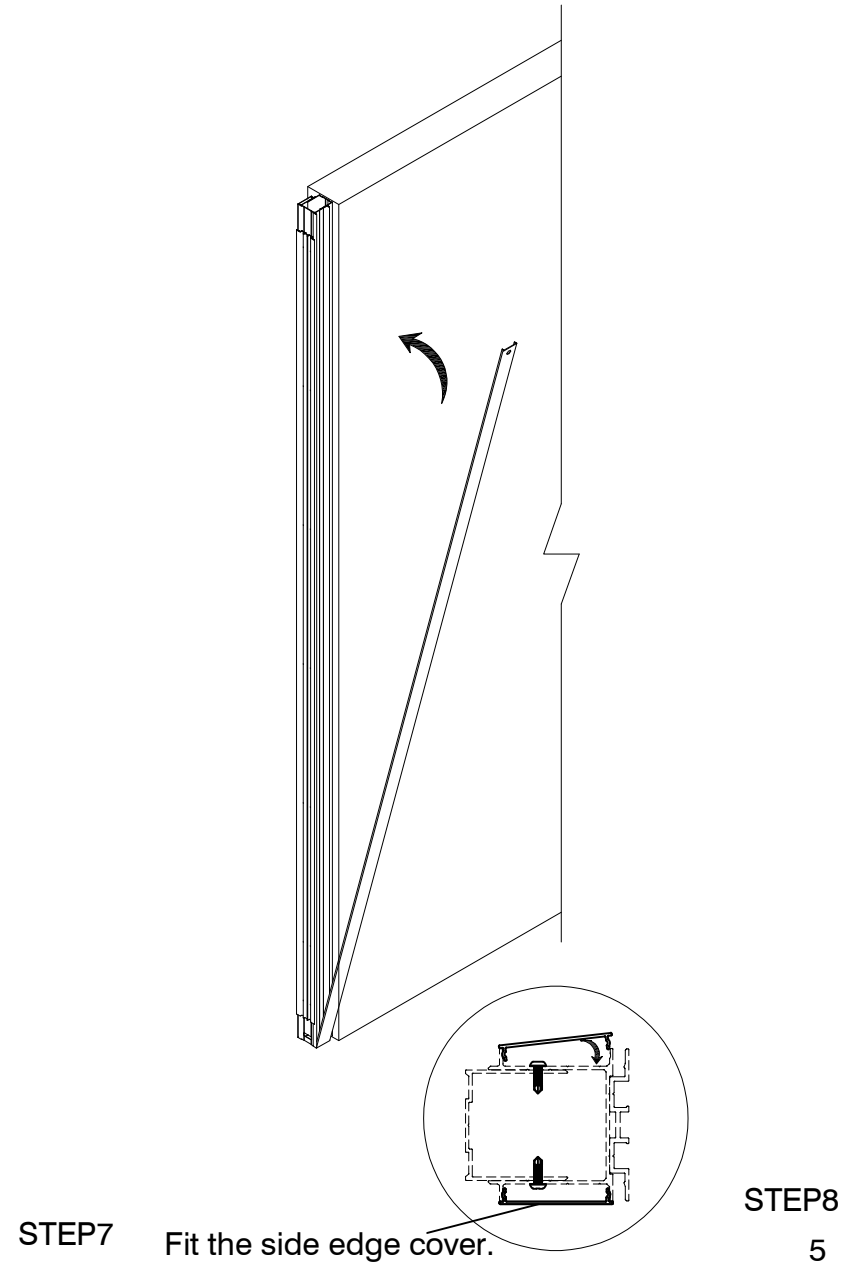
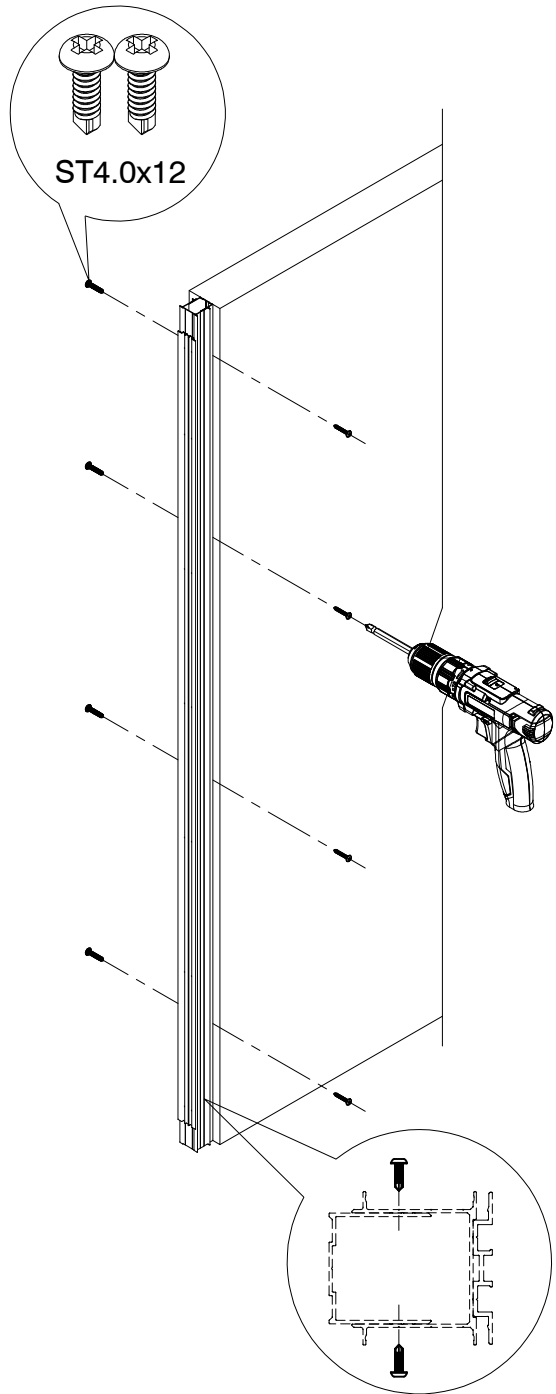
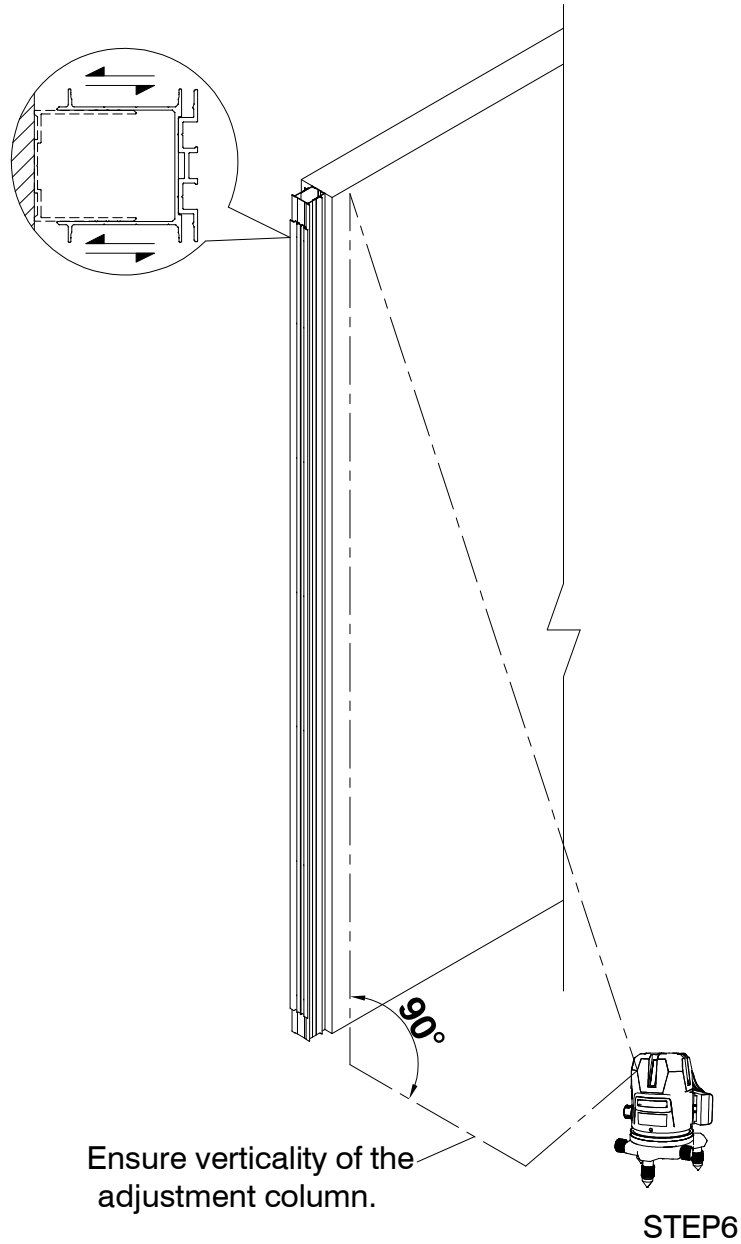
■ Edge Channel Installation



STEP3

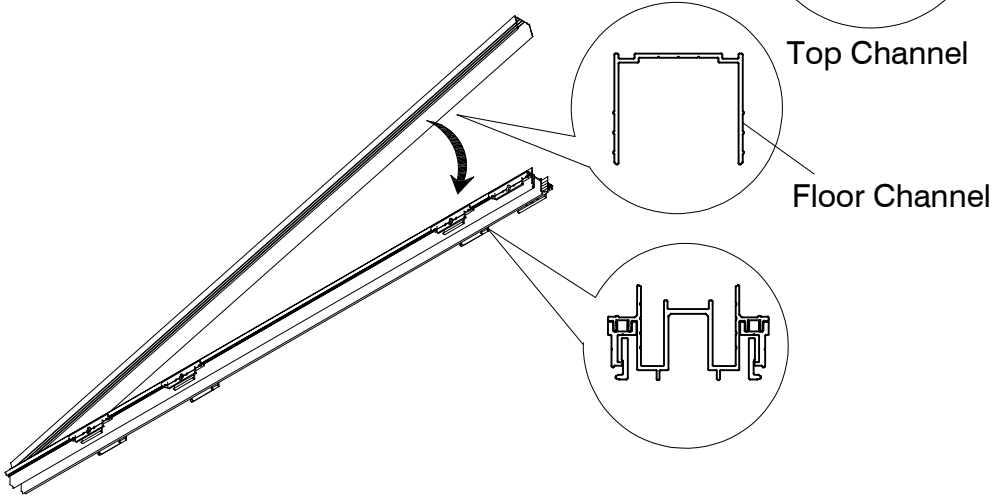


■ Edge Channel Installation

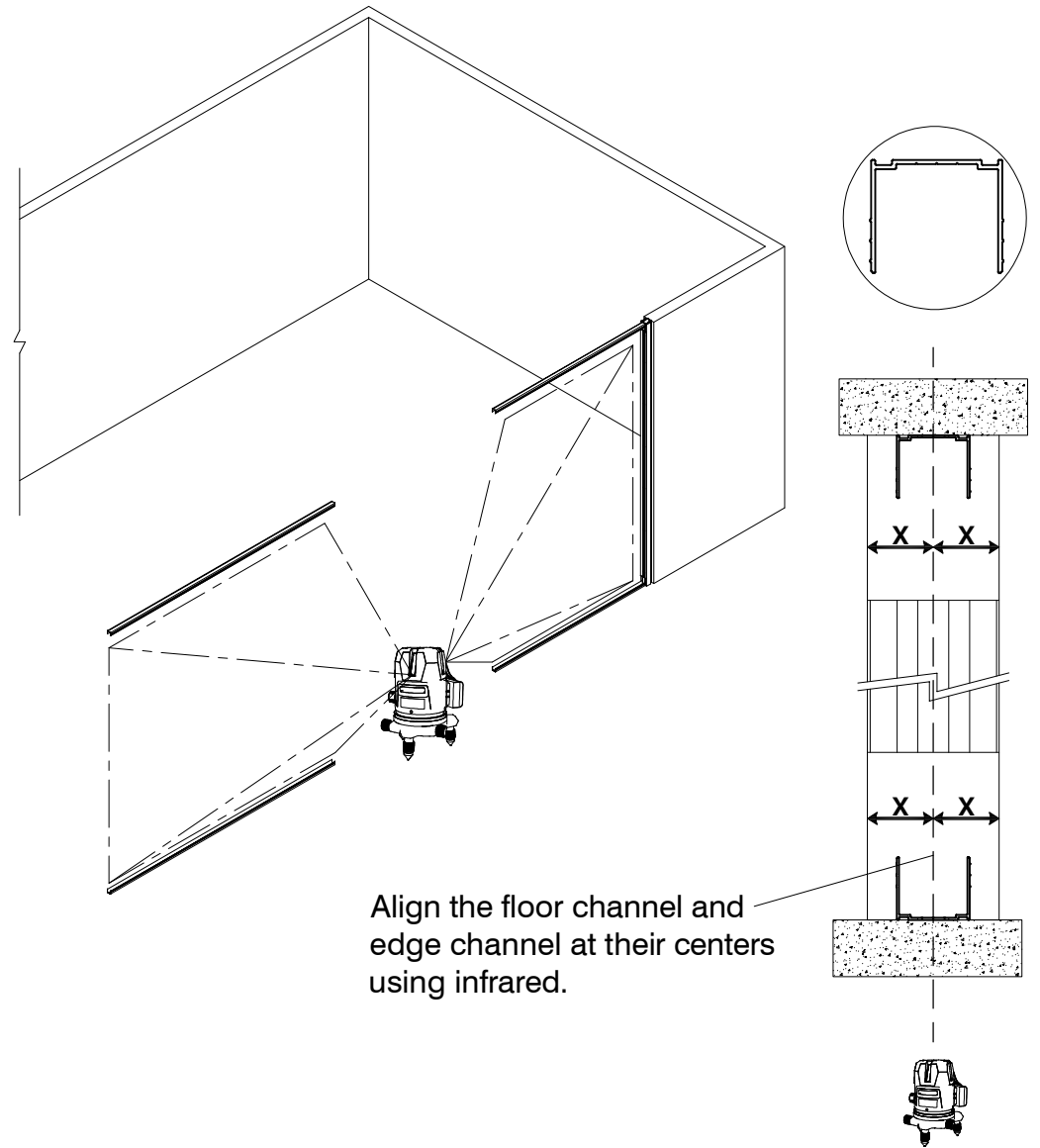
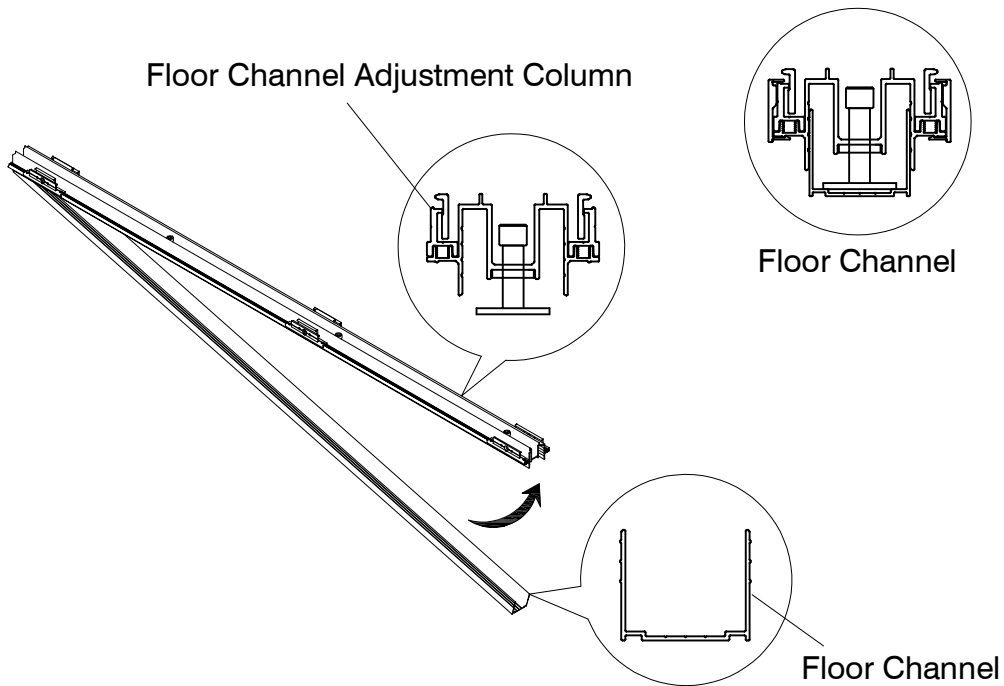


■ Floor Channel Installation

Top Channel Adjustment Column

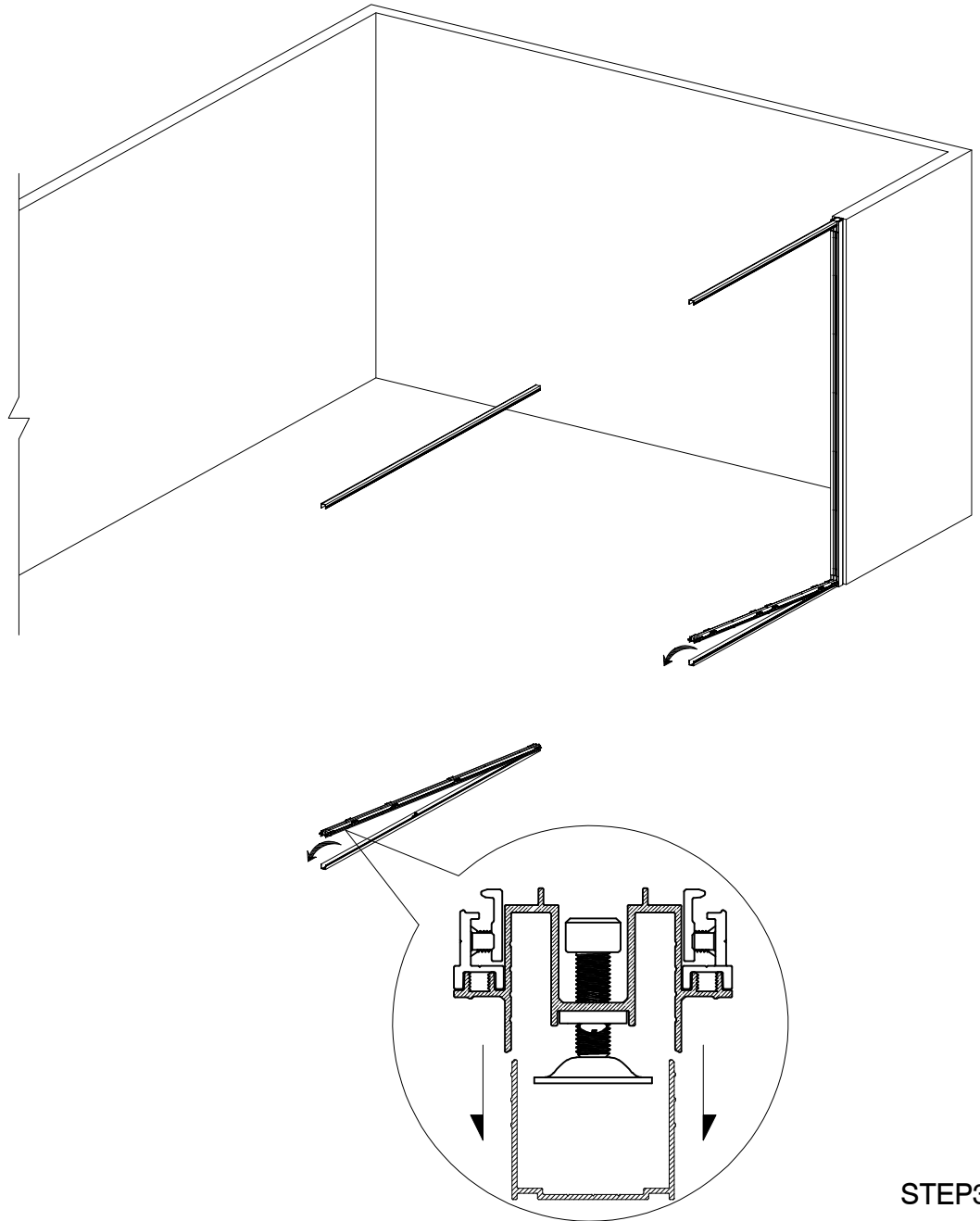
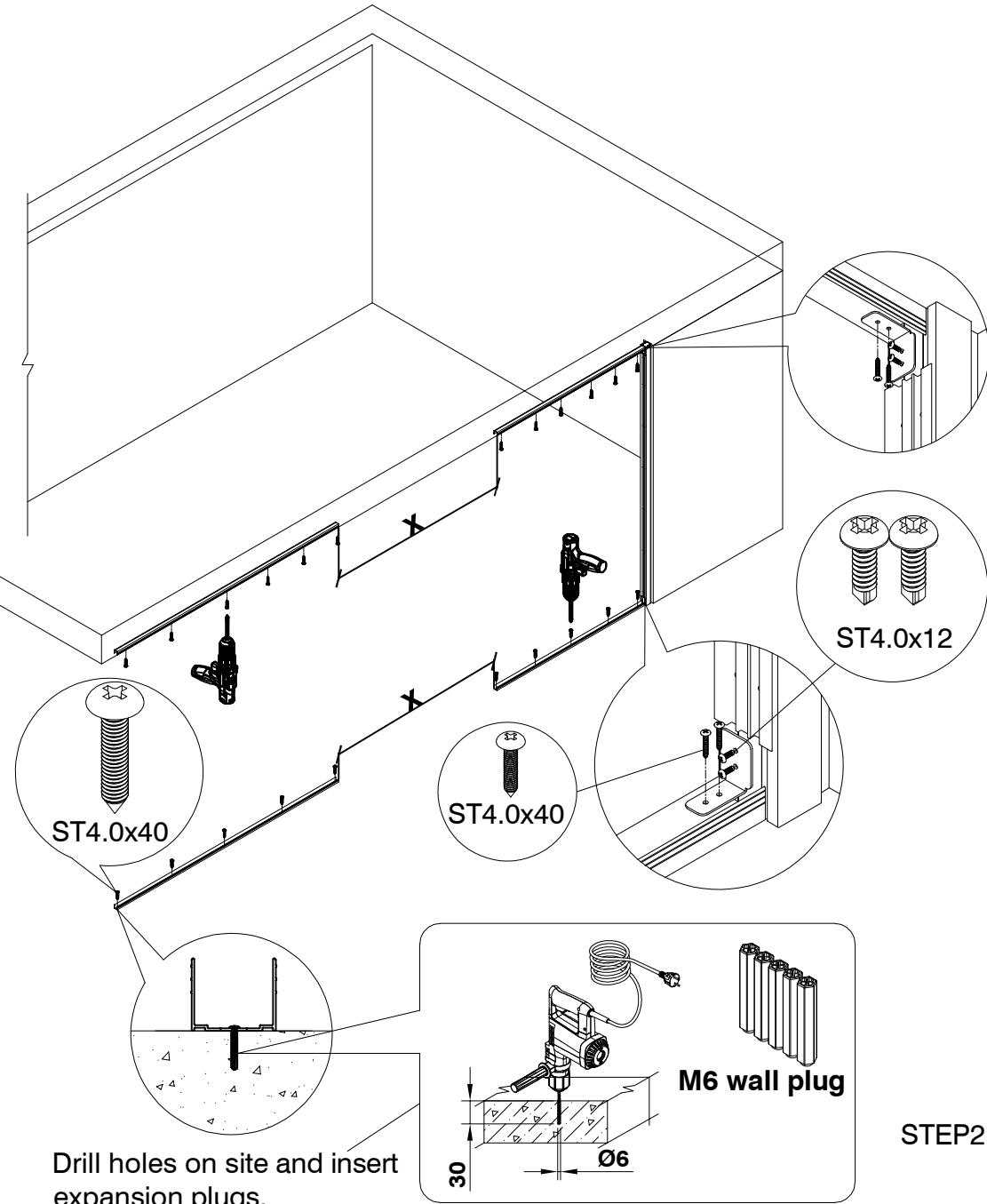


Floor Channel Adjustment Column

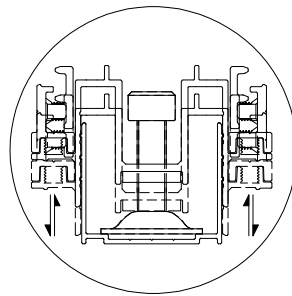


STEP1

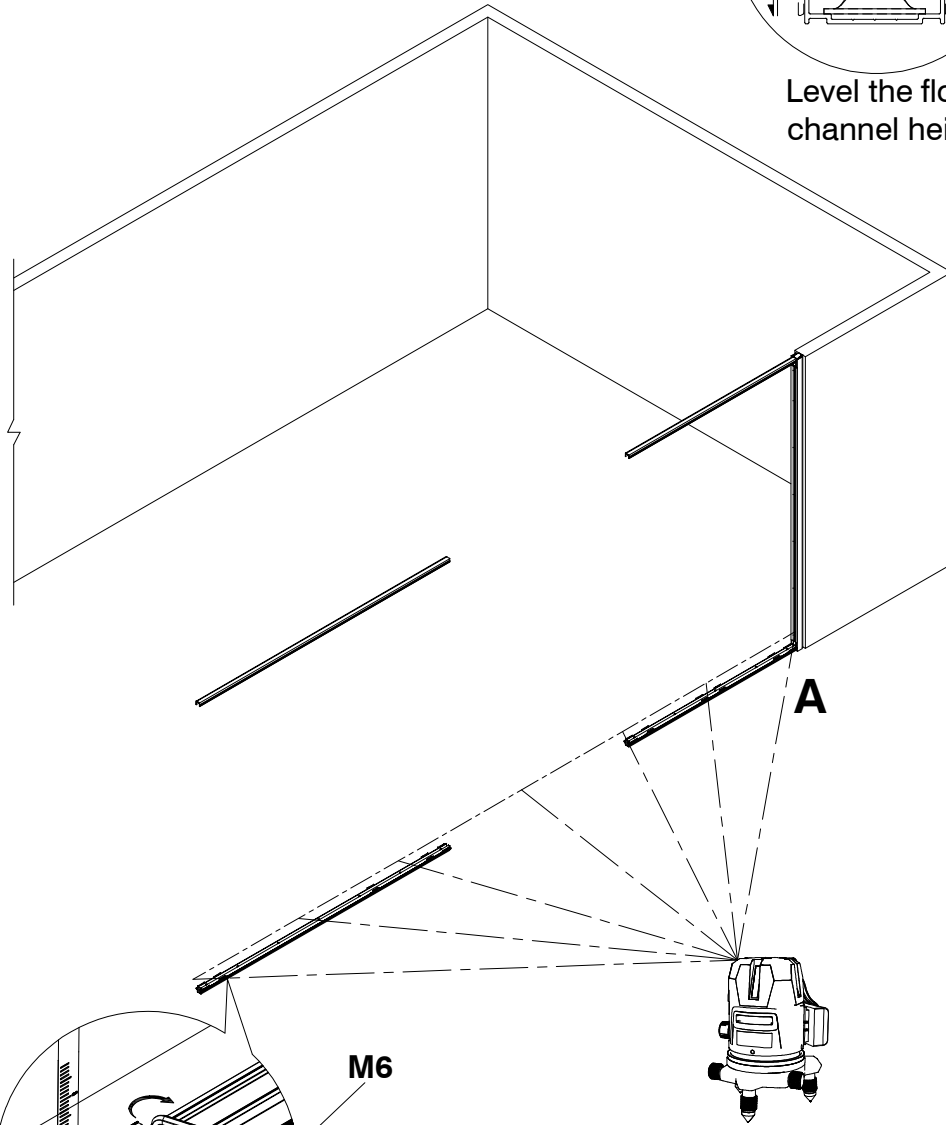
■ Floor Channel Installation



■ Edge Channel Installation



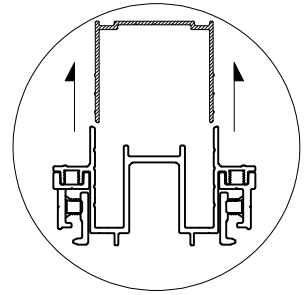
Level the floor channel height.



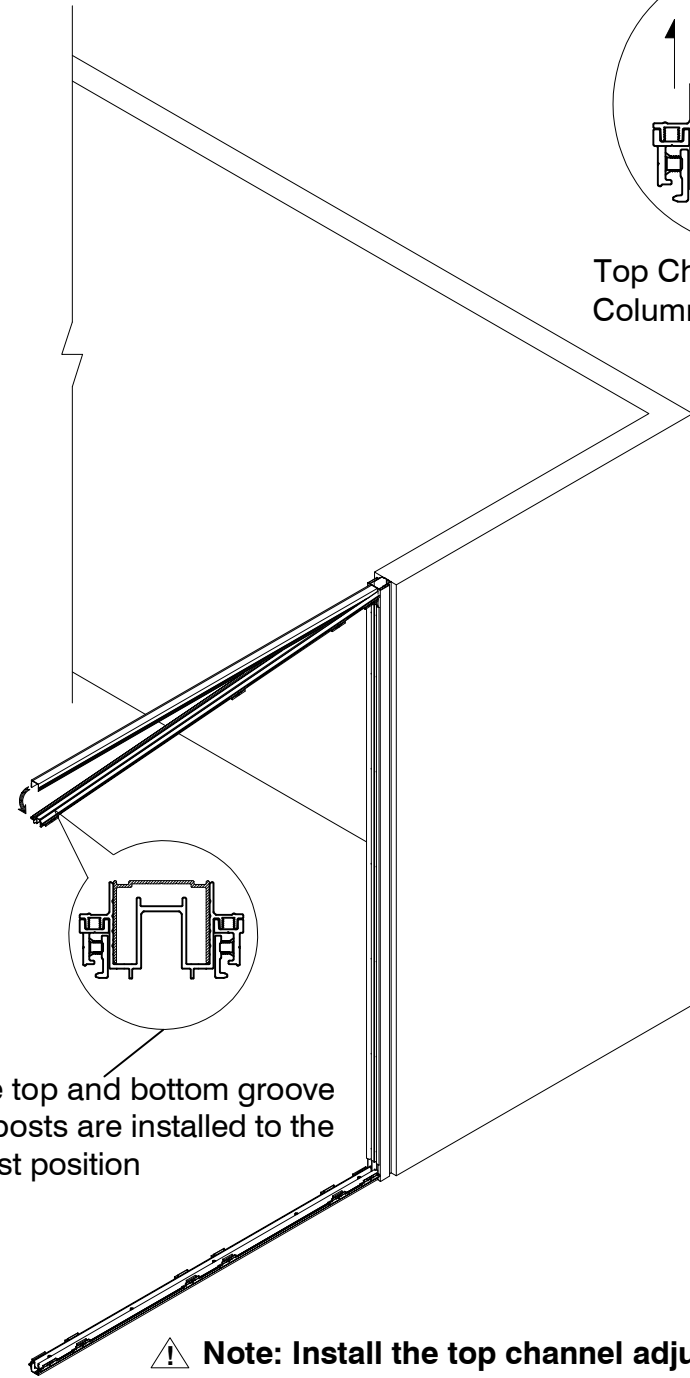
M6

⚠ During installation, align the floor channel adjustment column with the floor channel end and level it using infrared.

STEP4



Top Channel Adjustment Column Installation



Ensure the top and bottom groove adjusting posts are installed to the bottommost position

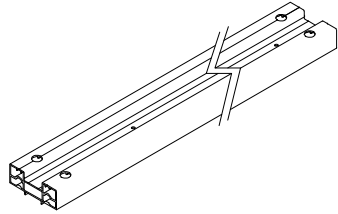
⚠ Note: Install the top channel adjustment column only when installing the screen module to prevent falling and injury!

STEP5

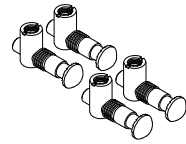
■ Top Beam Installation

Top Beam Accessories Instructions

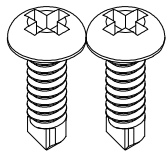
(Usage quantity for one set of top beam)



Top Beam x1

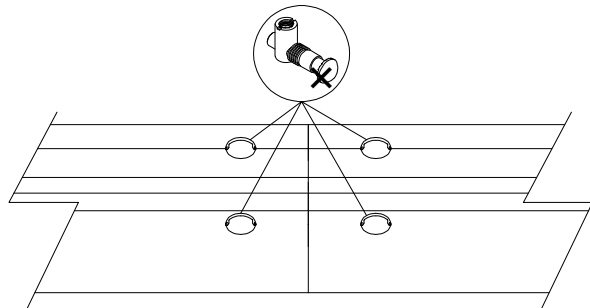


Connector x4



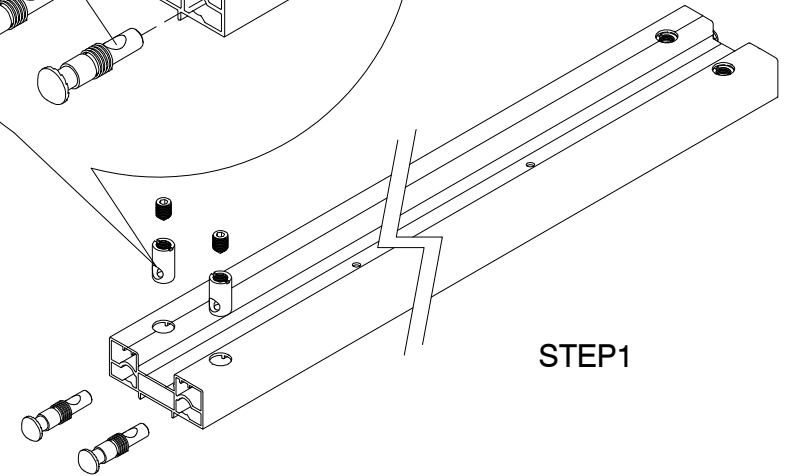
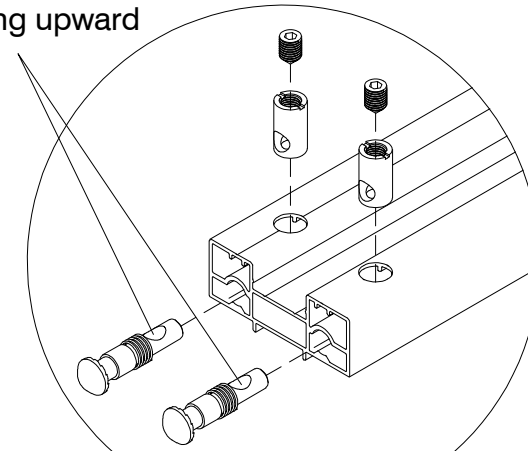
ST4.0x30

(2 pieces per module)



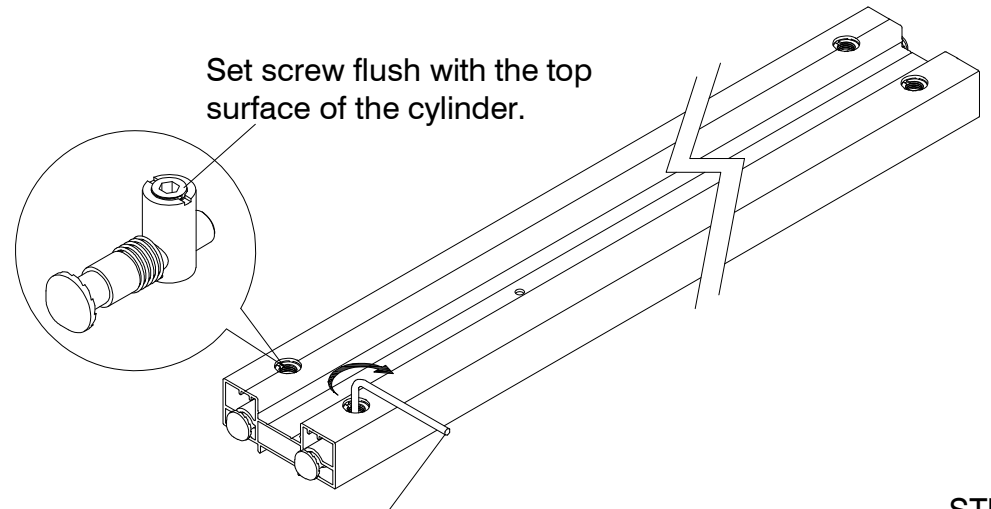
⚠ Special Note: If the top beam length of a single partition exceeds 6 meters, sectional splicing is required. No connectors needed at joints.

Slot facing upward



STEP1

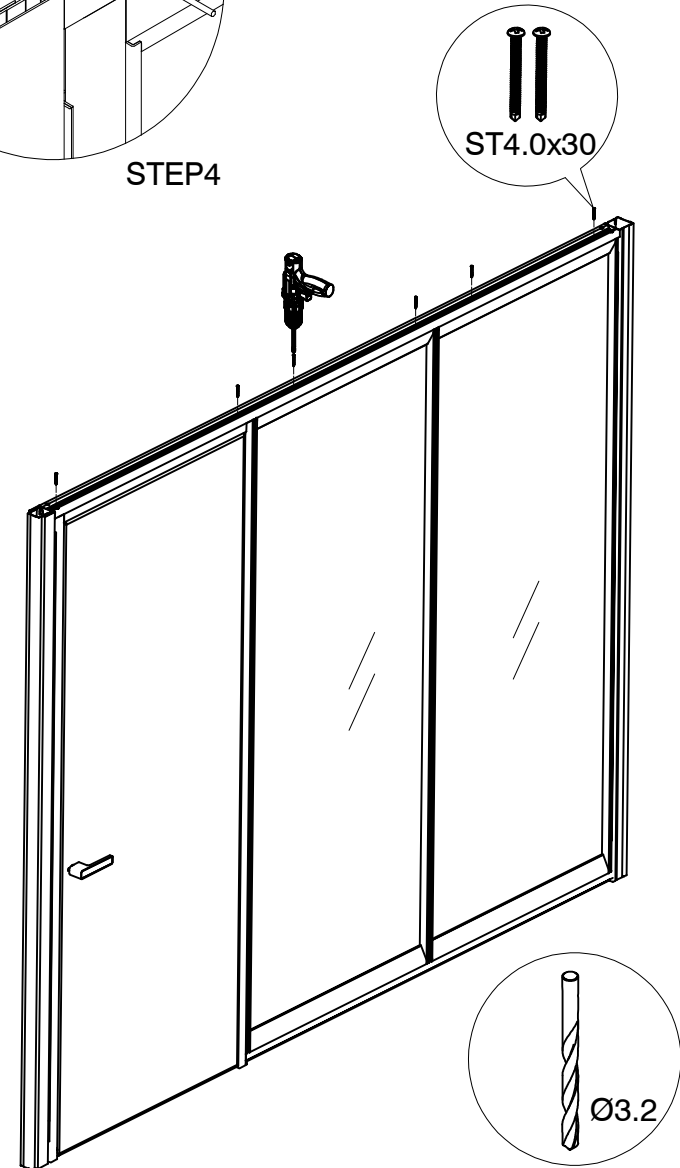
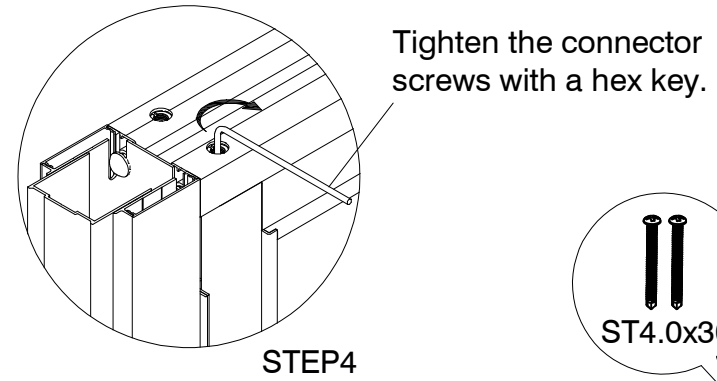
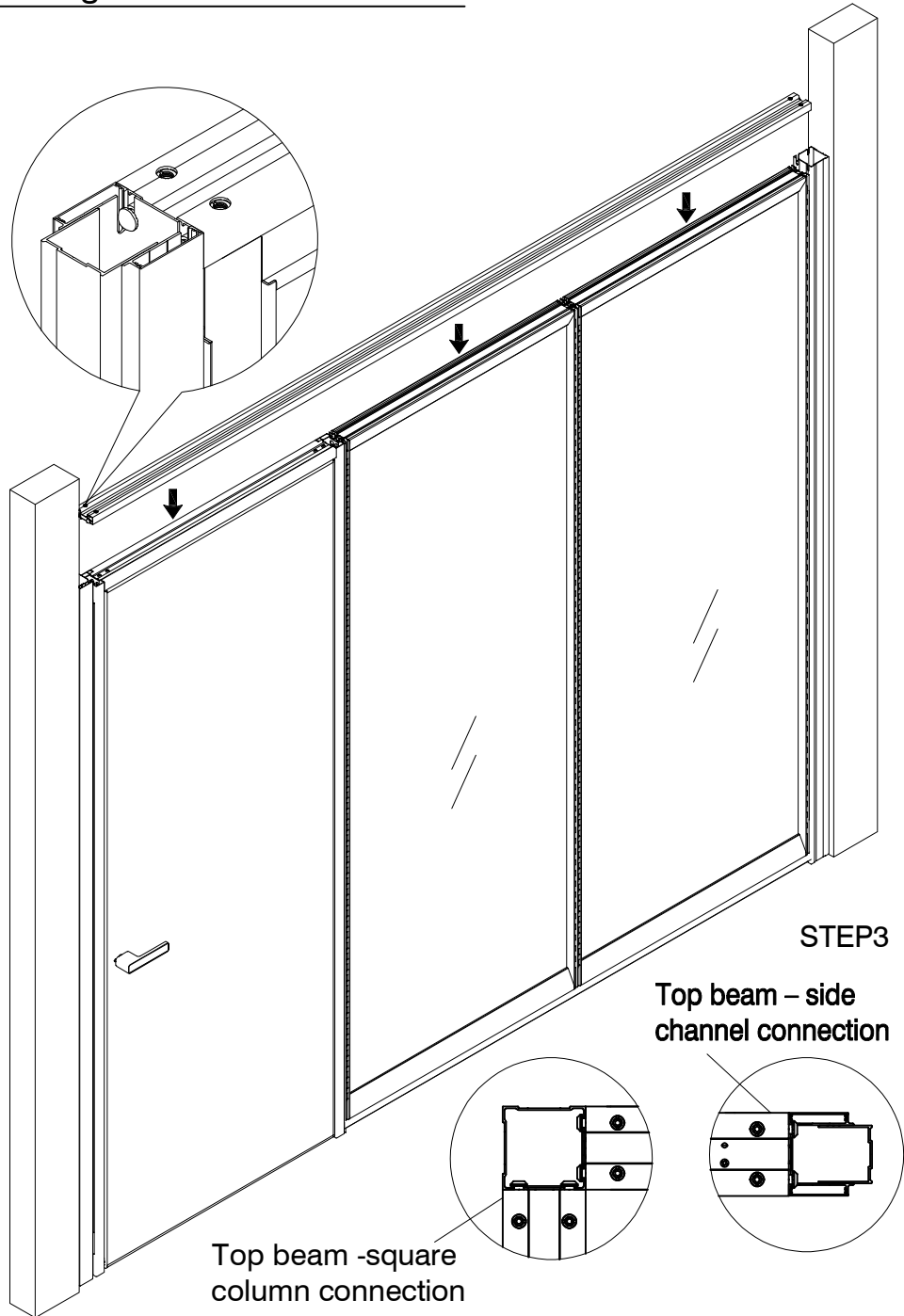
Set screw flush with the top surface of the cylinder.



STEP2

Tighten slightly with a hex key; ensure the connector does not fall off

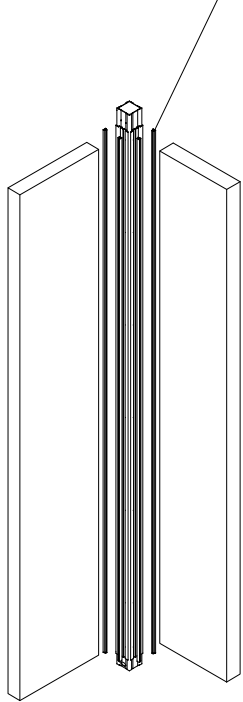
■ Edge Channel Installation



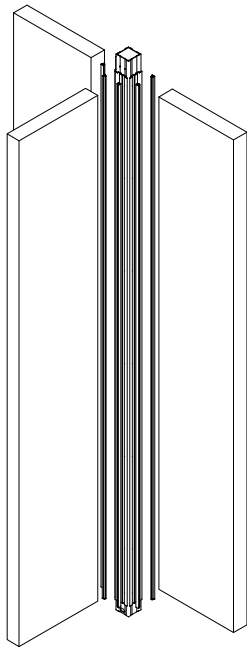
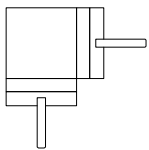
⚠ To prevent screw breakage, pre-drill along the top beam holes with a $\Phi 3.2$ twist drill before installing the fixing screws.

■ Square Column Installation

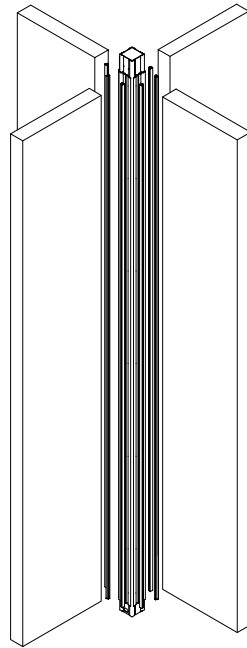
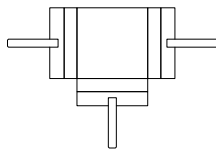
Connecting aluminum edge banding



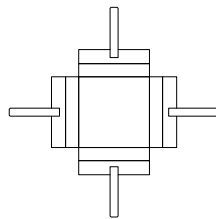
BLK-LCA



BLK-TCA



BLK-XCA



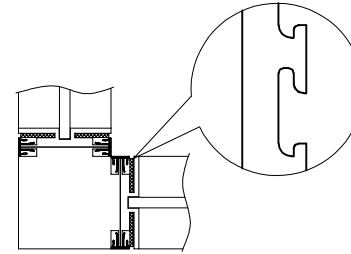
Connection instruction for aluminum edge banding



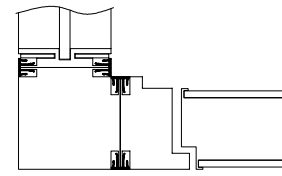
Aluminum edge banding A



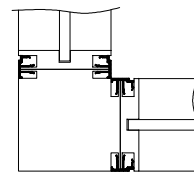
Aluminum edge banding B



◆ When connecting square columns to screen modules with hanging teeth, use aluminum edge banding A.

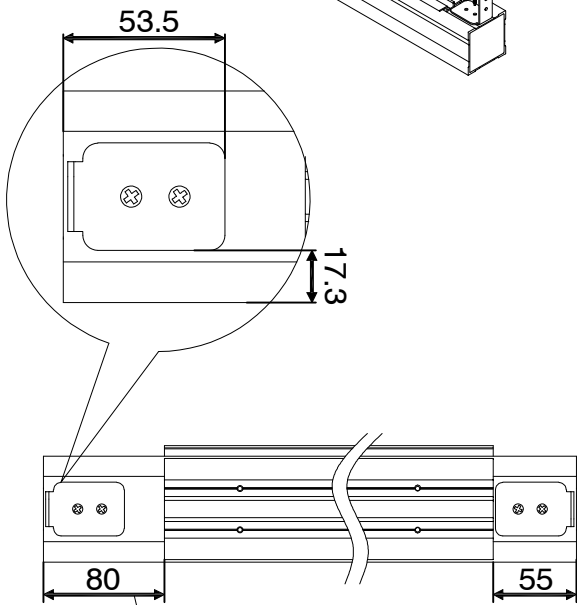
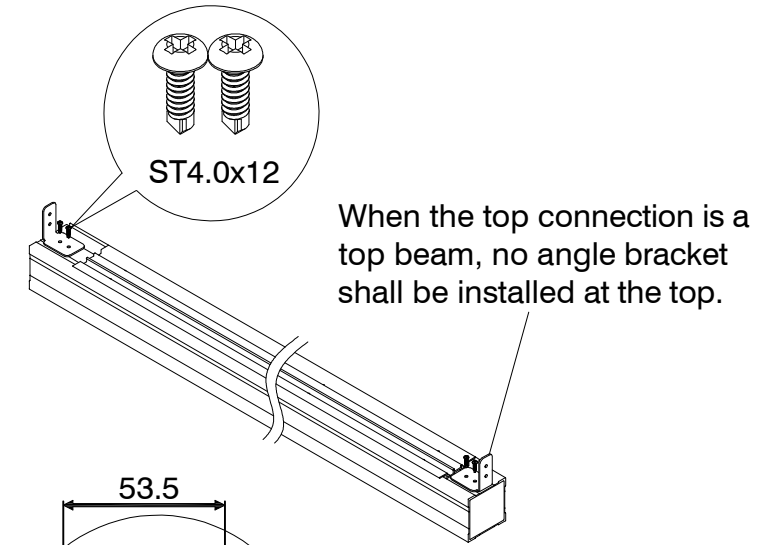


◆ When connecting square columns to door modules, use aluminum edge banding A.



◆ When connecting square columns to screen modules without hanging teeth, use aluminum edge banding B.

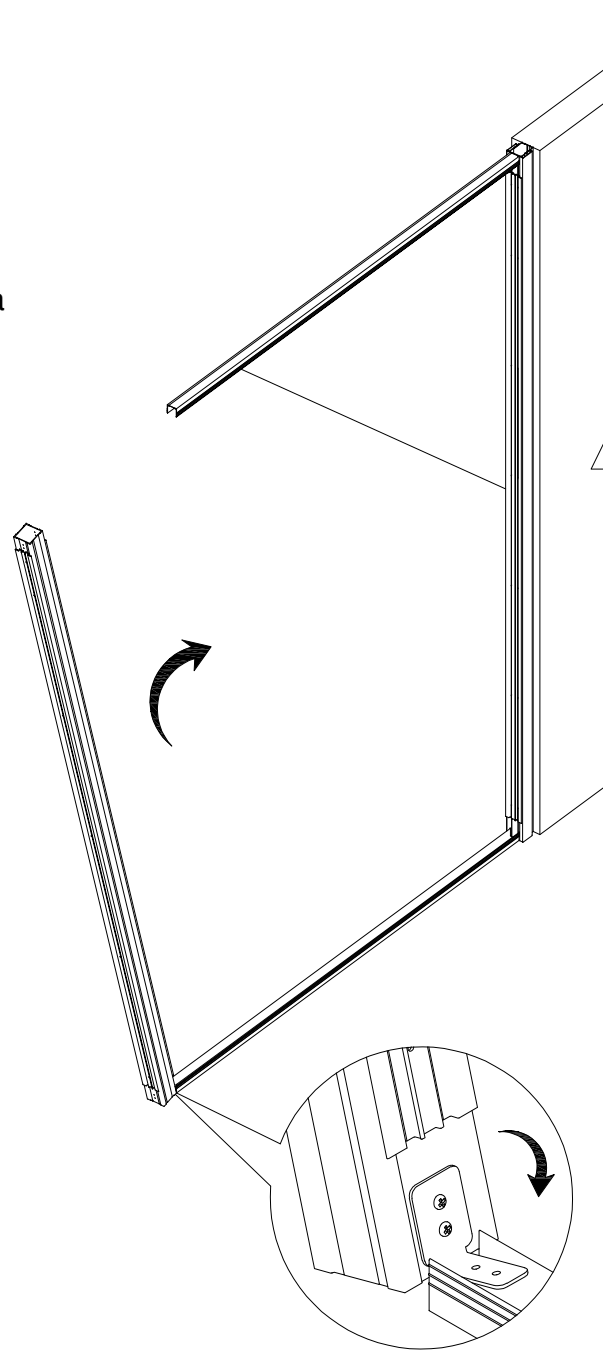
■ Square Column Installation



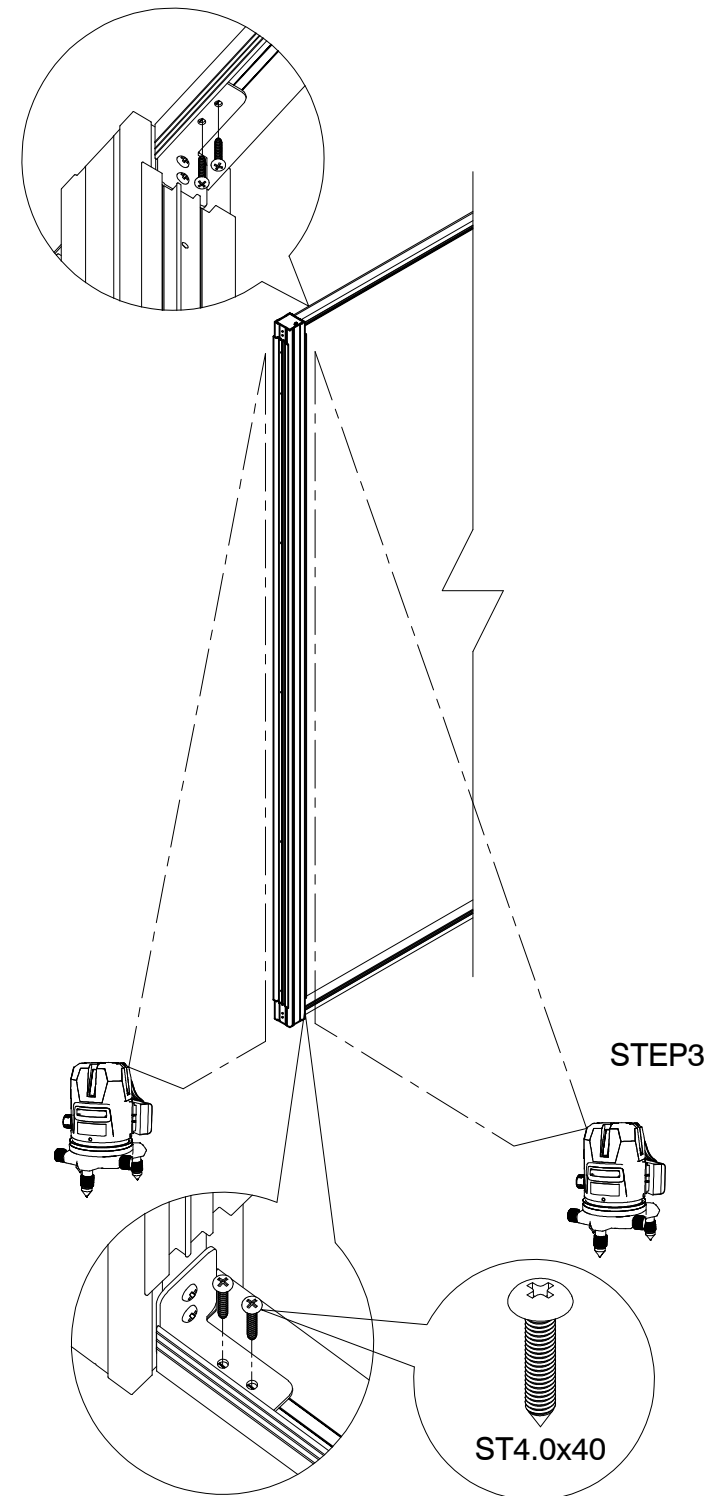
This end to the bottom.

⚠ Note: Do not install angle brackets when connecting square columns to the door system!

STEP1



STEP2



■ Screen Installation



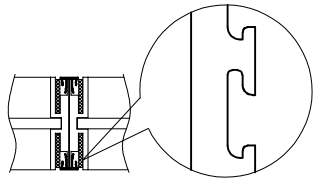
Aluminum edge banding A



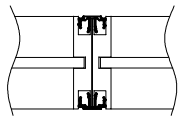
Aluminum edge banding B



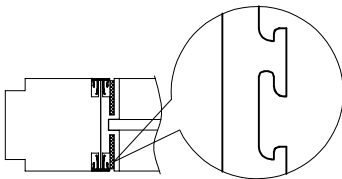
Aluminum edge banding C



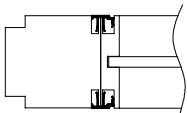
- ◆ When connecting a screen module with hanging teeth to another screen module with hanging teeth, use aluminum edge banding A.



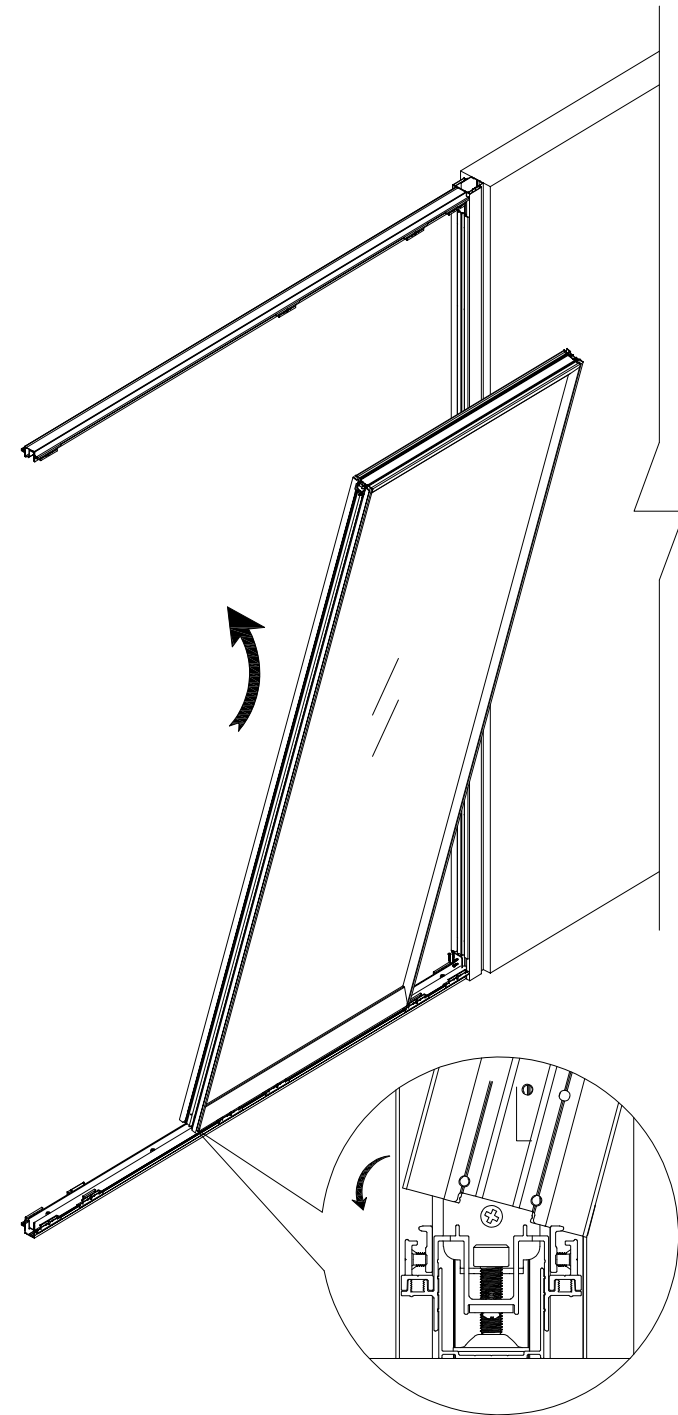
- ◆ When connecting a screen module without hanging teeth to another screen module without hanging teeth, use aluminum edge banding C.



- ◆ When connecting a screen module with hanging teeth to the side channel assembly, use aluminum edge banding A.

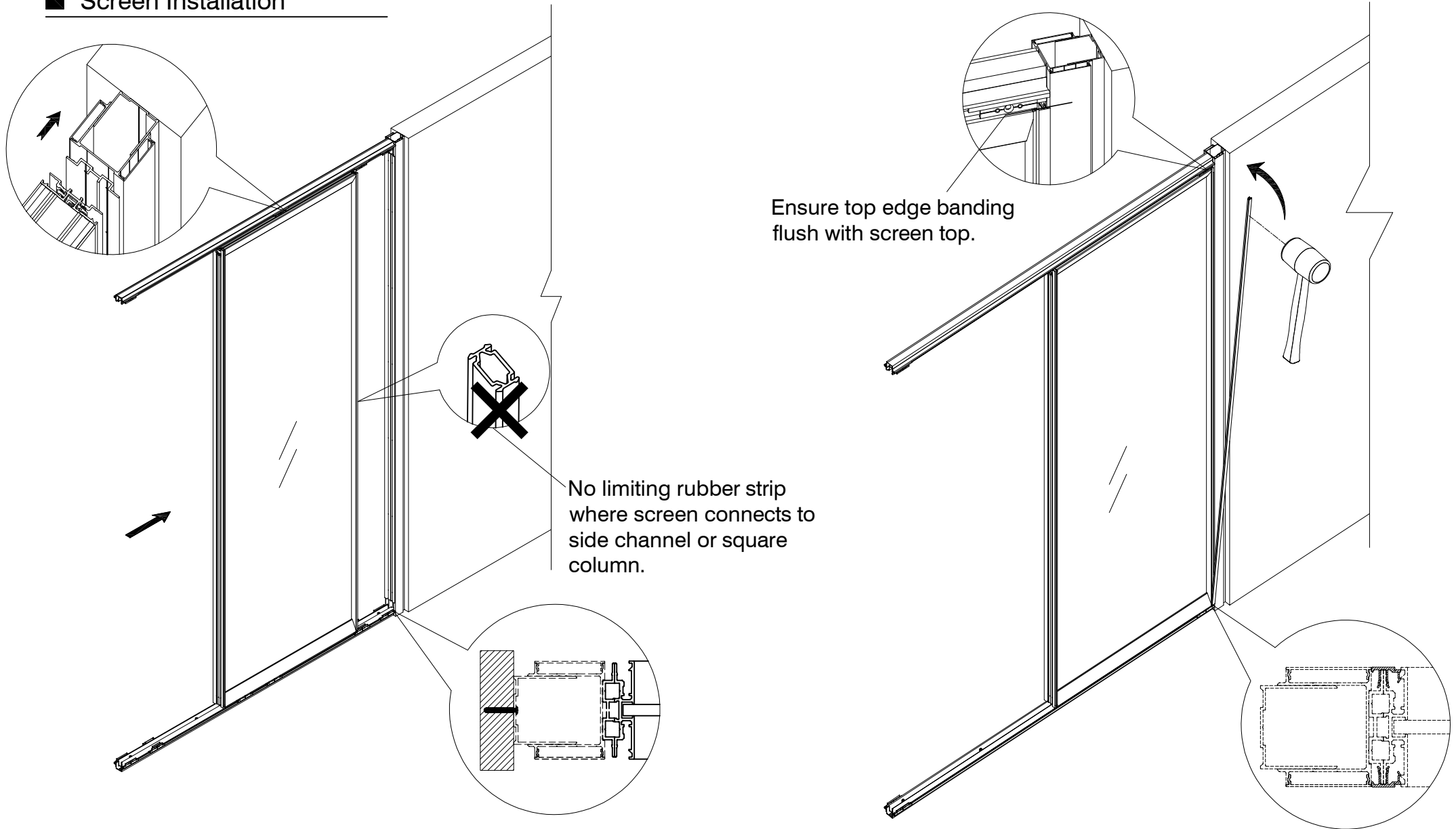


- ◆ When connecting a screen module without hanging teeth to the side channel assembly, use aluminum edge banding B.



STEP1

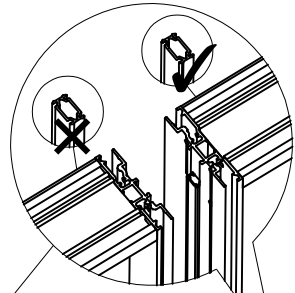
■ Screen Installation



STEP2

STEP3

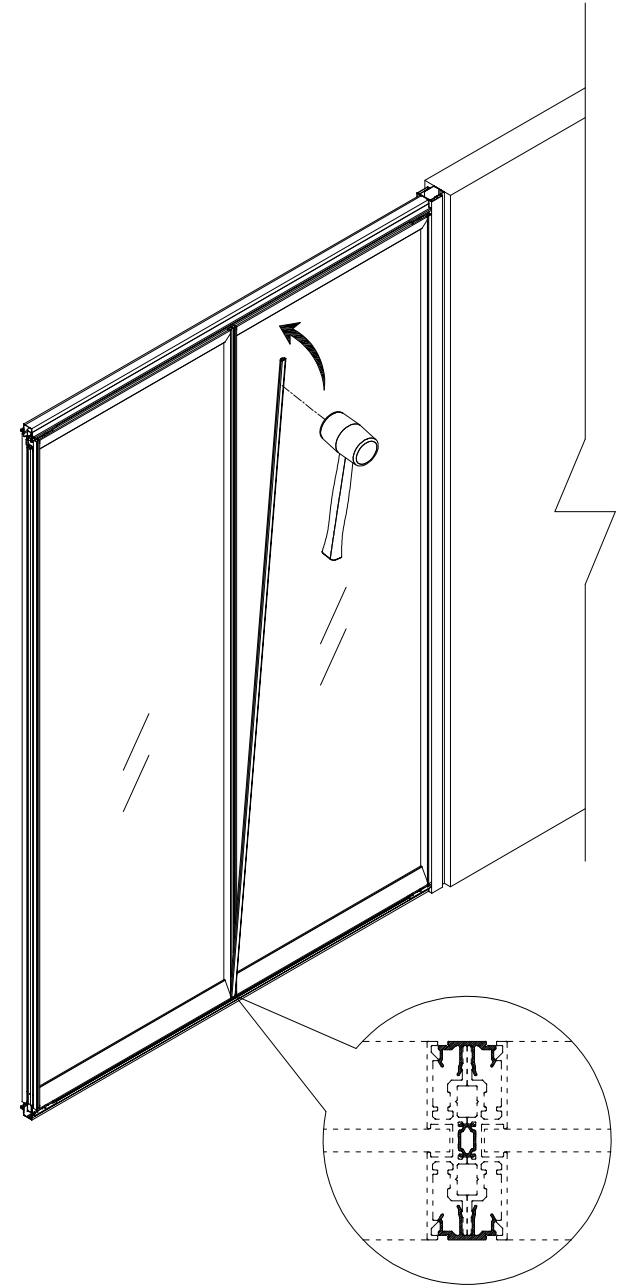
■ Screen Installation



Only one of the two connected screen modules shall have a limiting rubber strip.

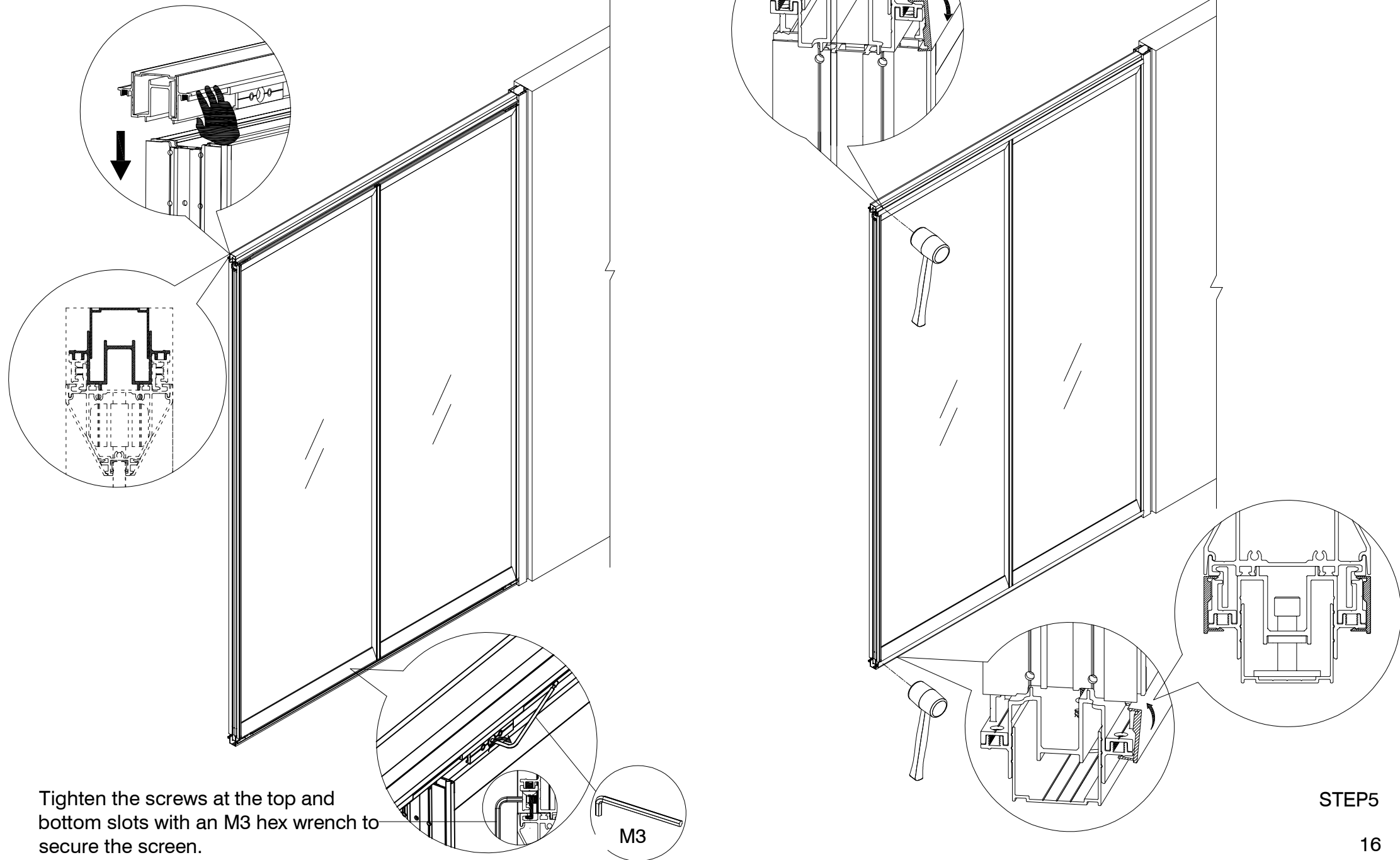


STEP4



STEP5

■ Screen Installation



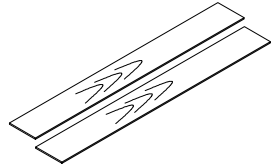
Tighten the screws at the top and bottom slots with an M3 hex wrench to secure the screen.

M3

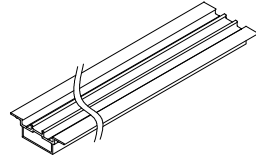
STEP5

■ Door Side Panel Installation

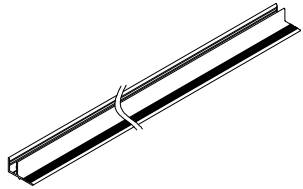
Equipment panel accessories



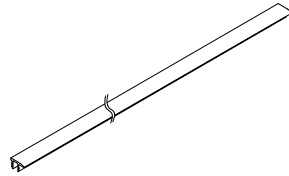
Door side panel x2



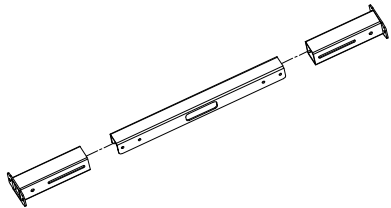
Side panel column x2



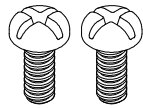
Aluminum for panel fixing x4



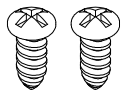
Panel edge sealing x4



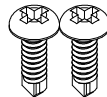
Equipment panel support kit x3



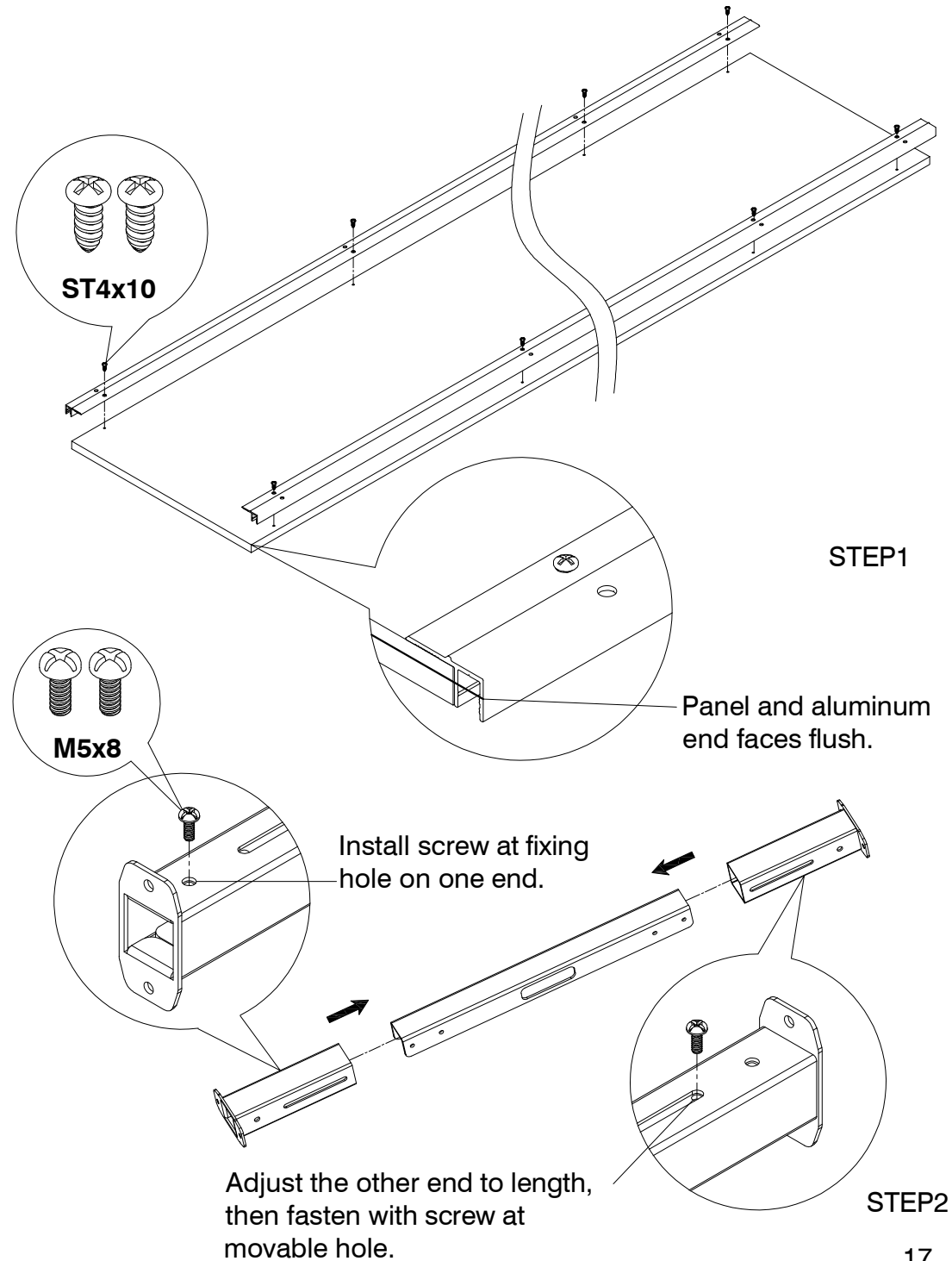
M5x8



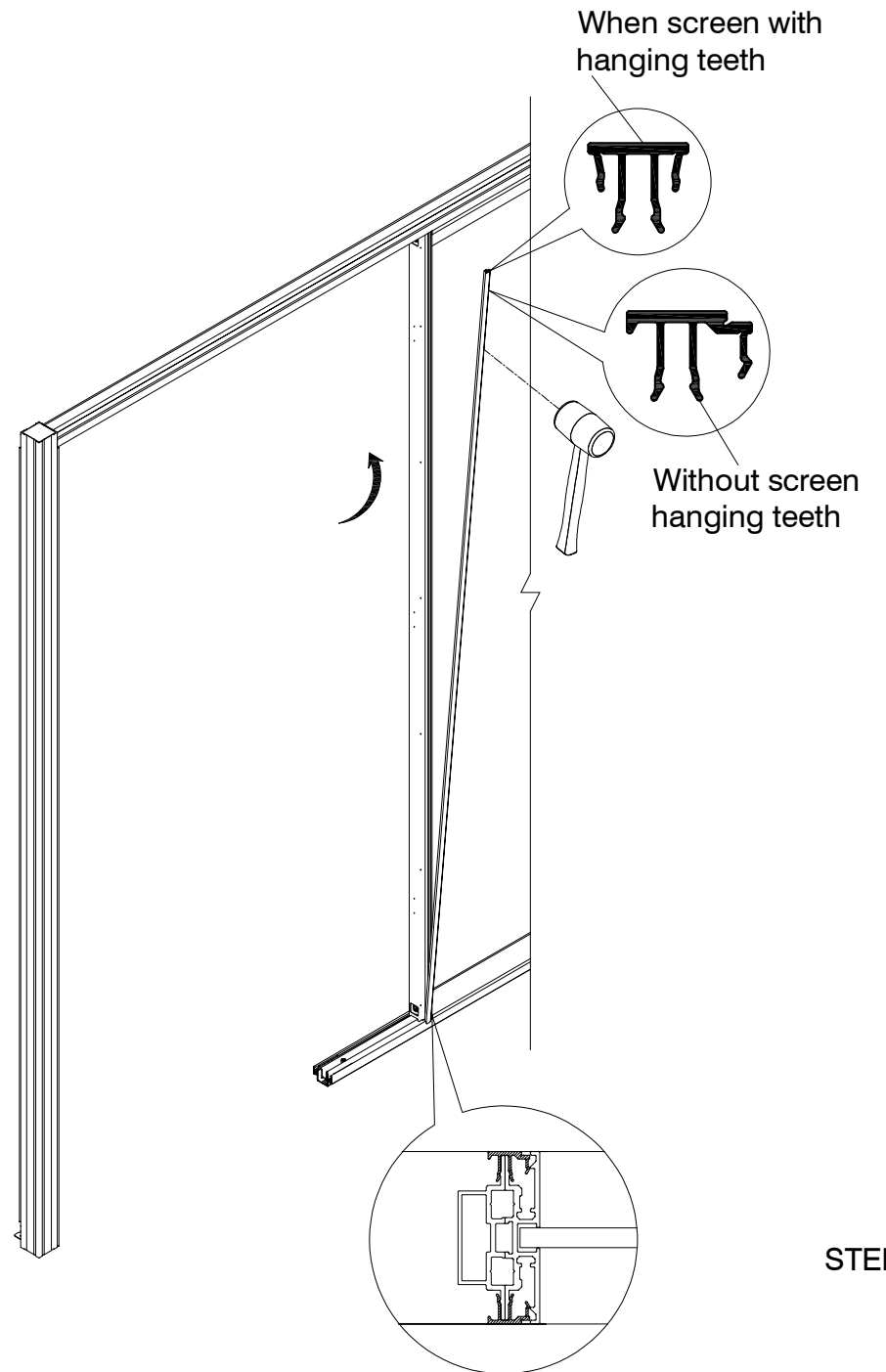
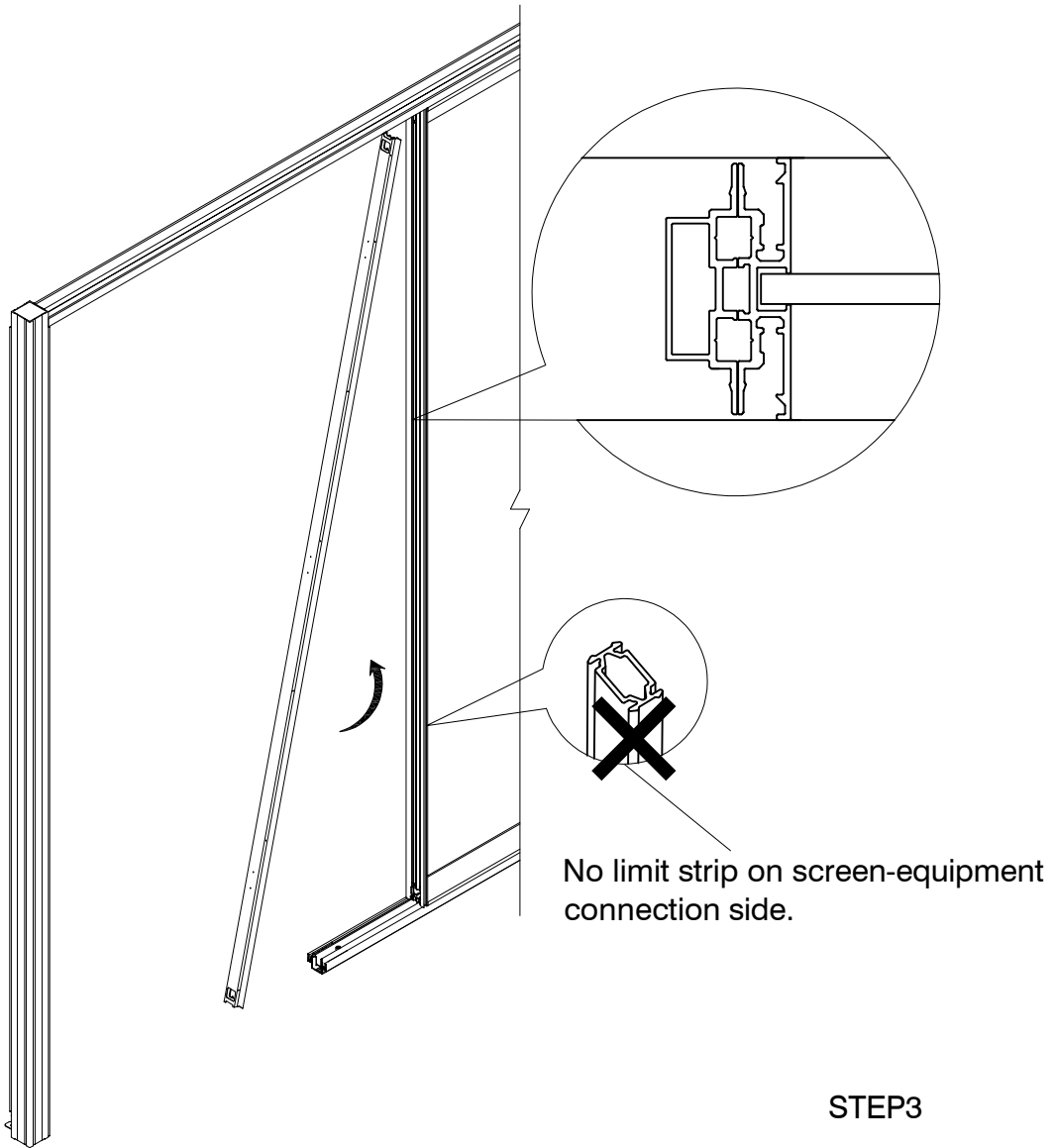
ST4x10



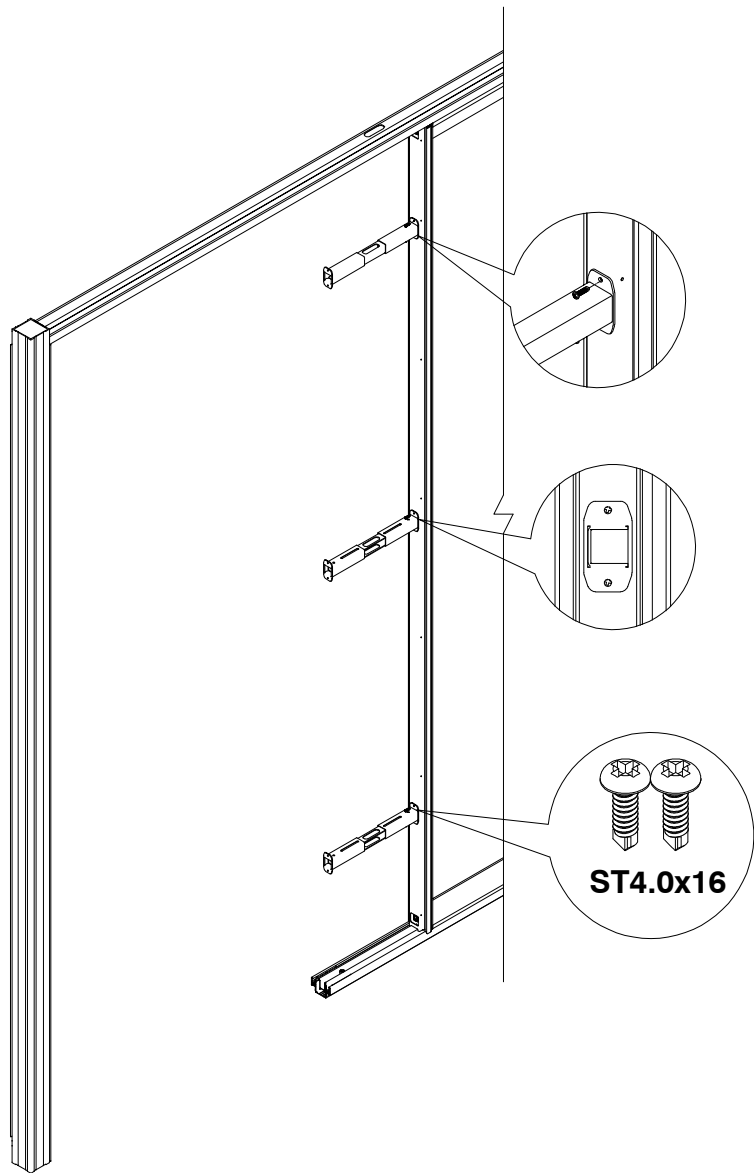
ST4.0x16



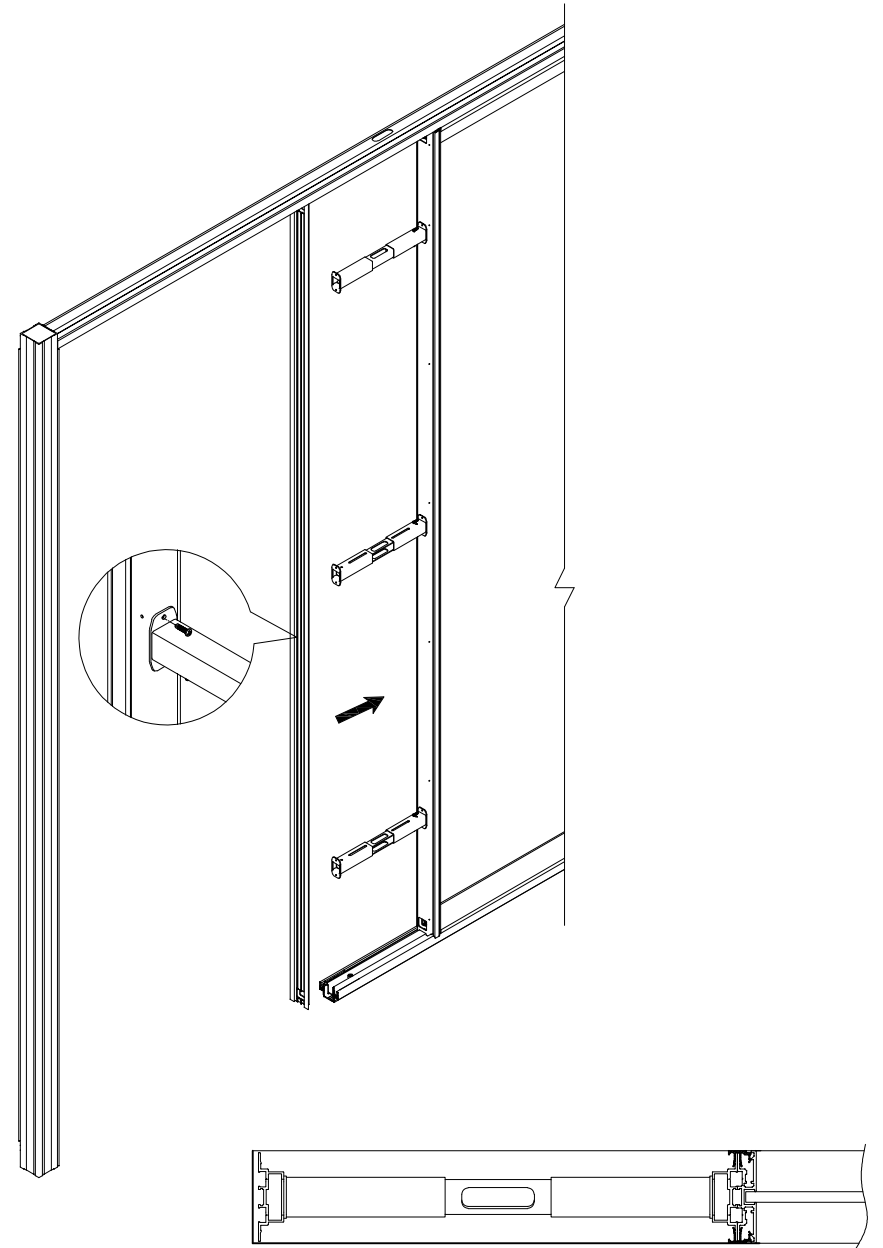
■ Door Side Panel Installation



■ Door Side Panel Installation

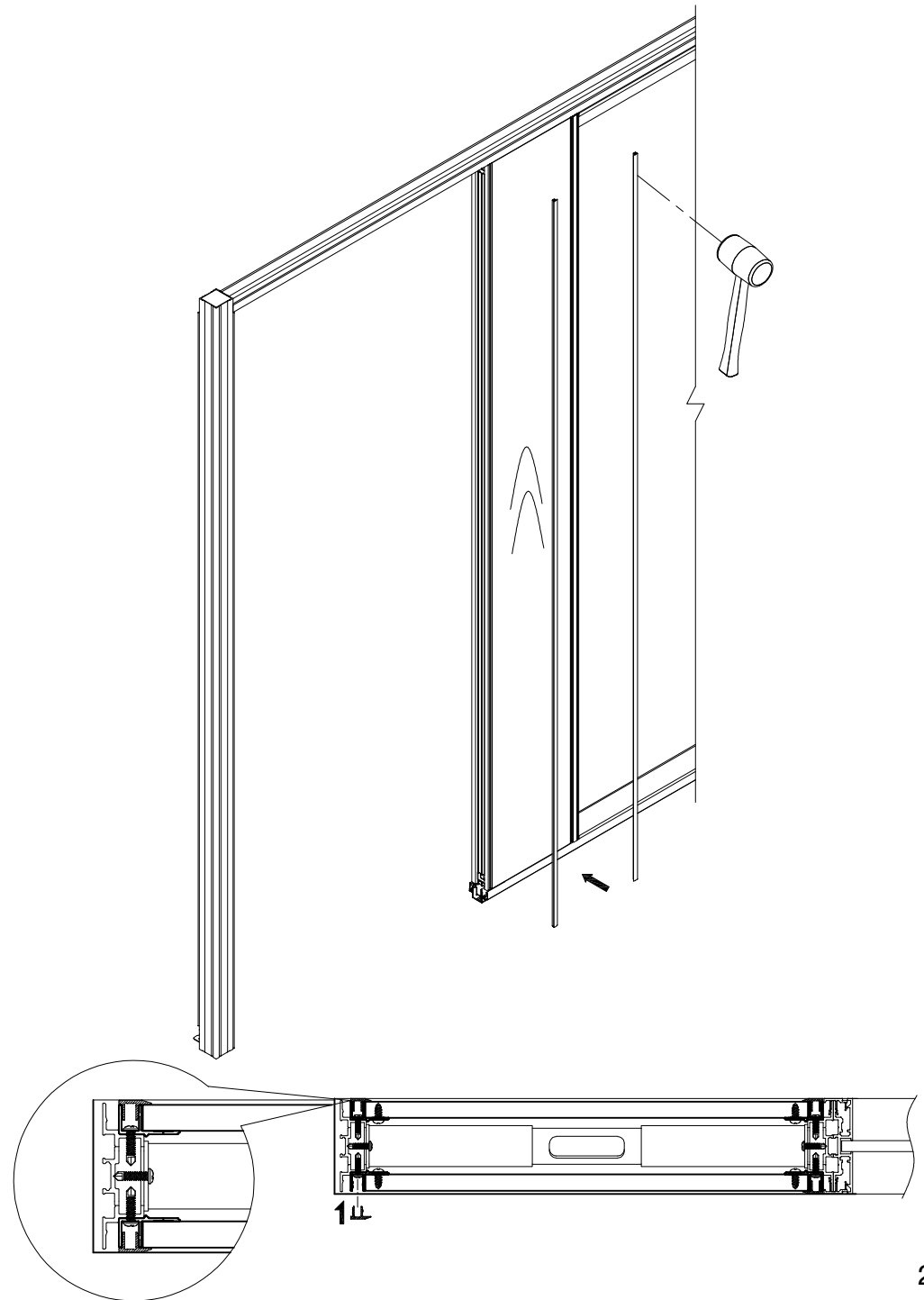
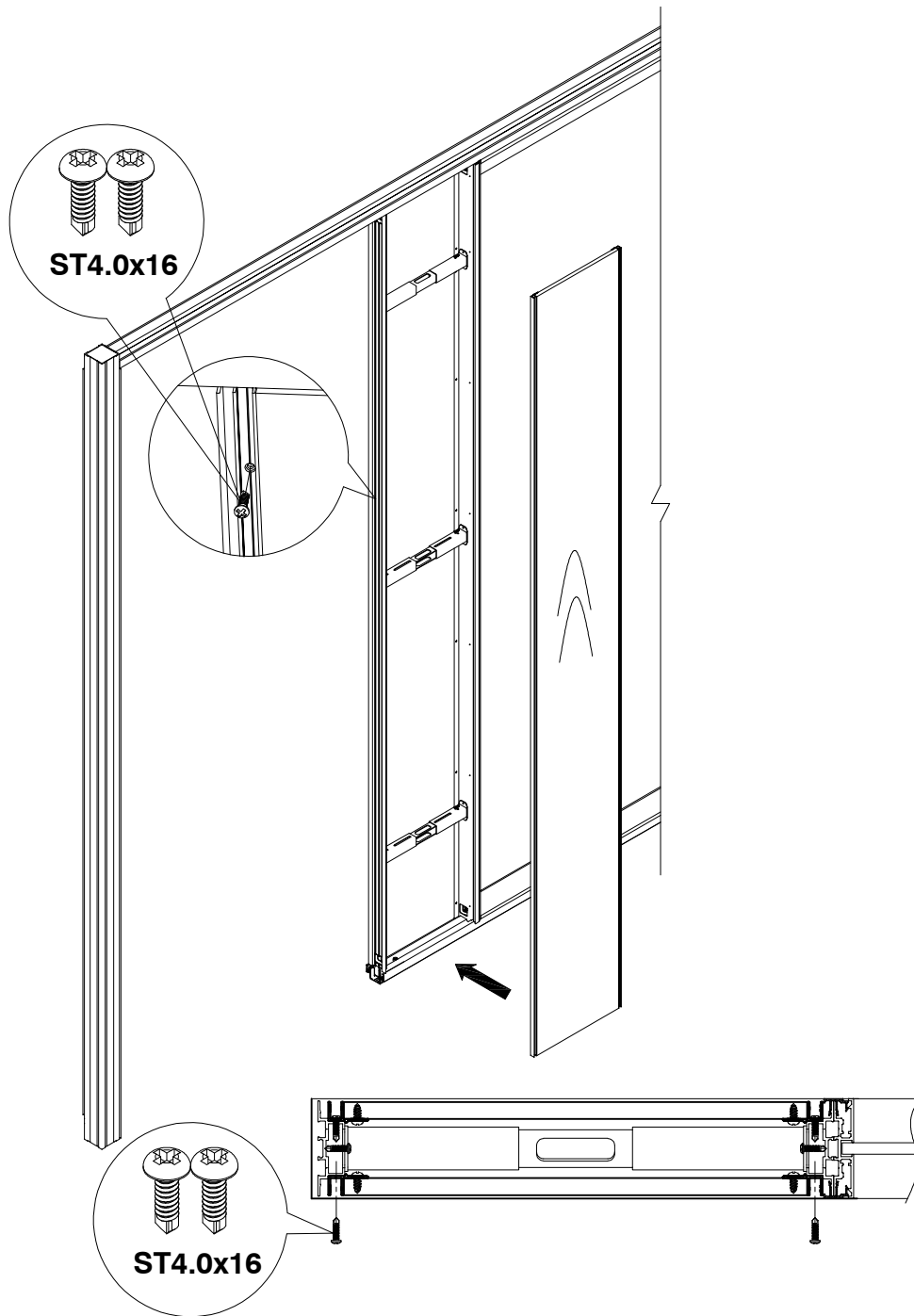


STEP5



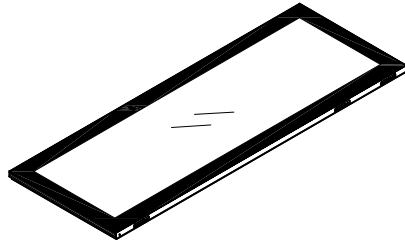
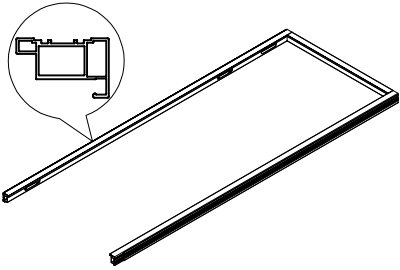
STEP6

■ Door Side Panel Installation



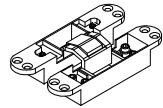
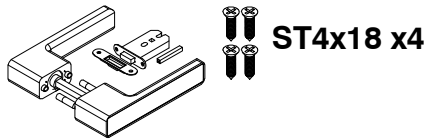
■ Glass Door Installation

Double Glass Door System Hardware



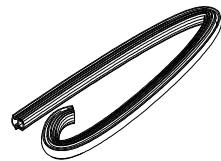
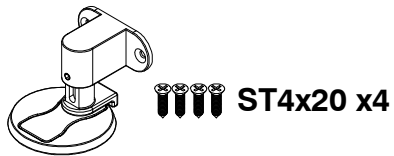
**Double Glass Door Version x1
(Left & Right)**

**Double Glass Door Leaf
(Left & Right)**



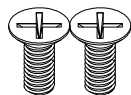
Door Lock Assembly x1

Door Hinge x3



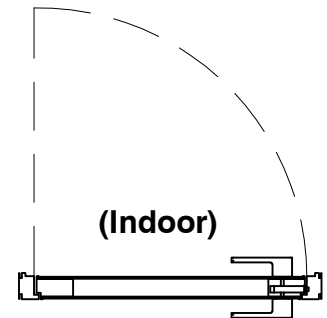
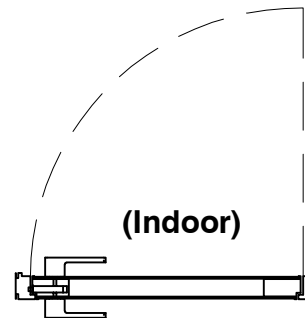
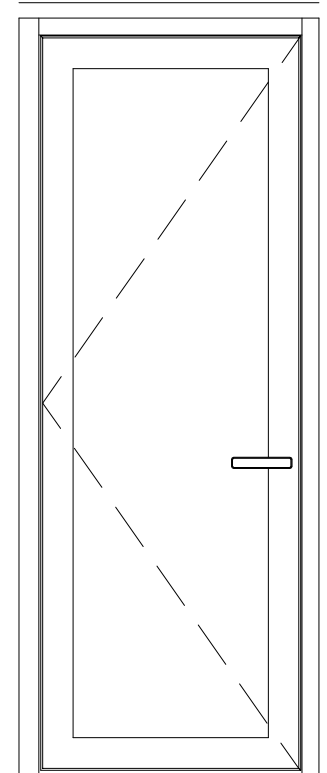
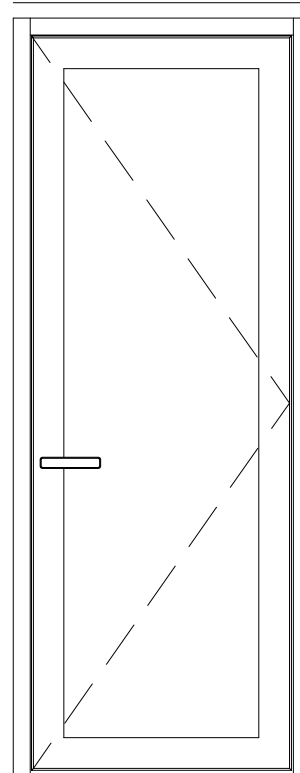
Door Catch x1

Door Bumper Strip



M5x16 x24

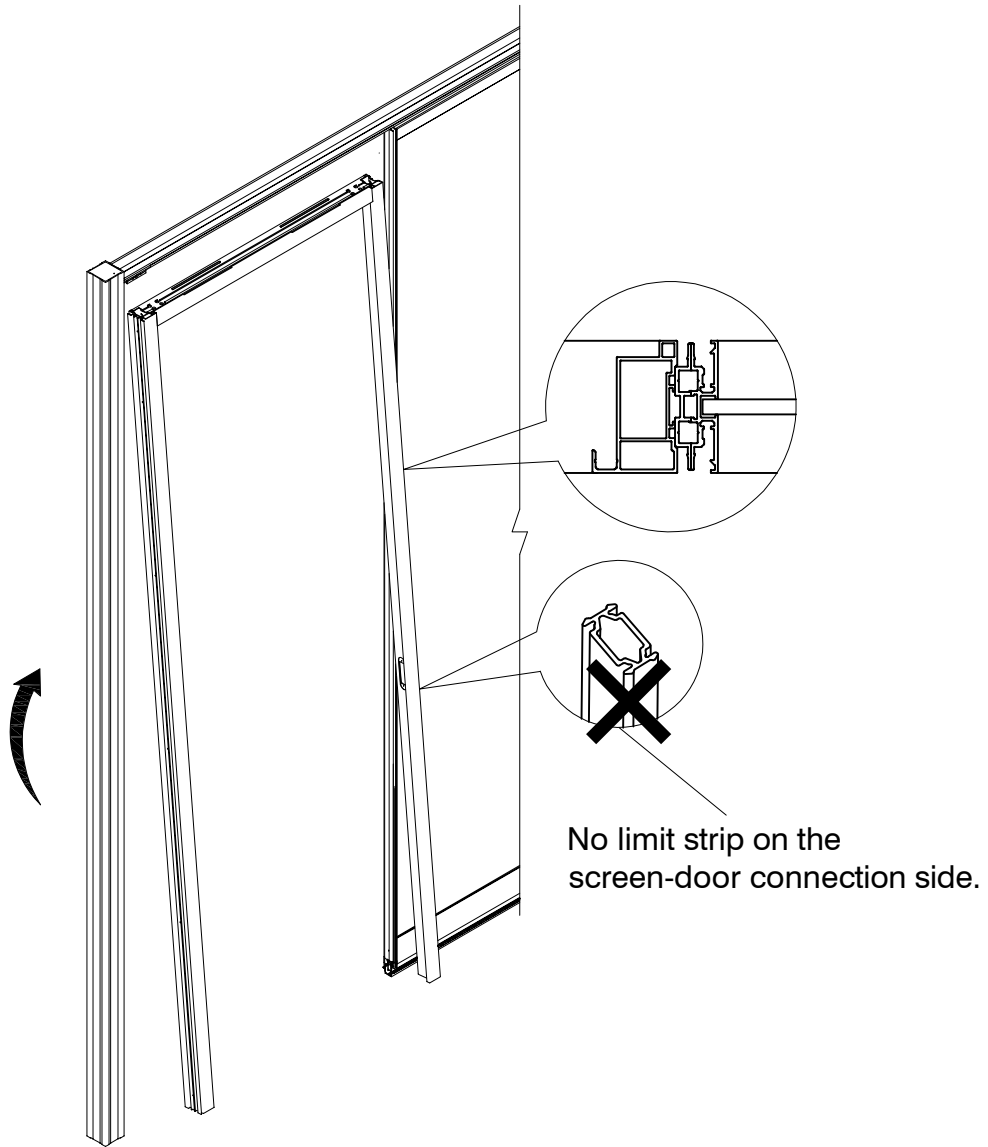
Left & Right Opening Diagram



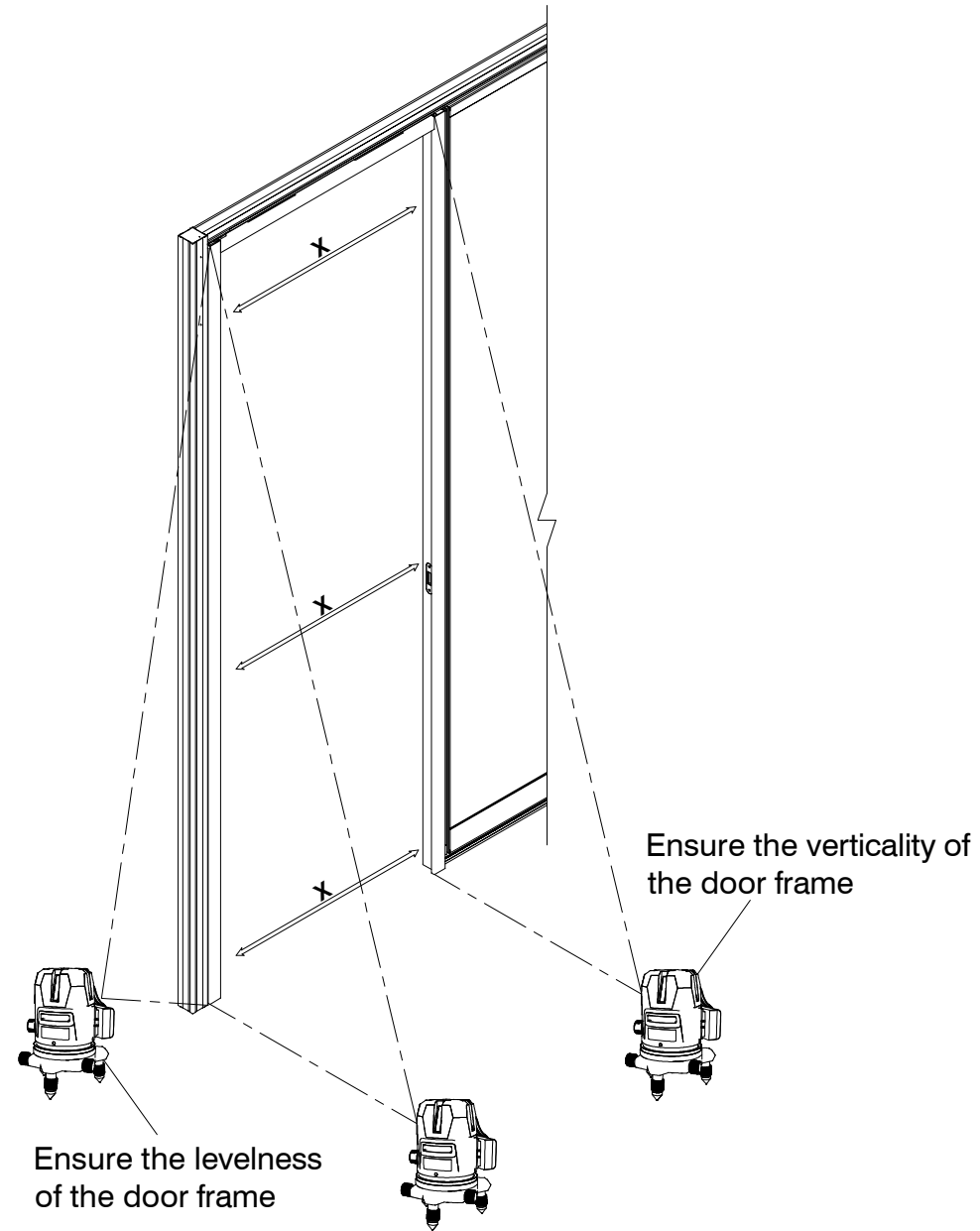
(Indoor)
(Outdoor)
Right Hand Door (RH)

(Indoor)
(Outdoor)
Left Hand Door (LH)

■ Glass Door Installation

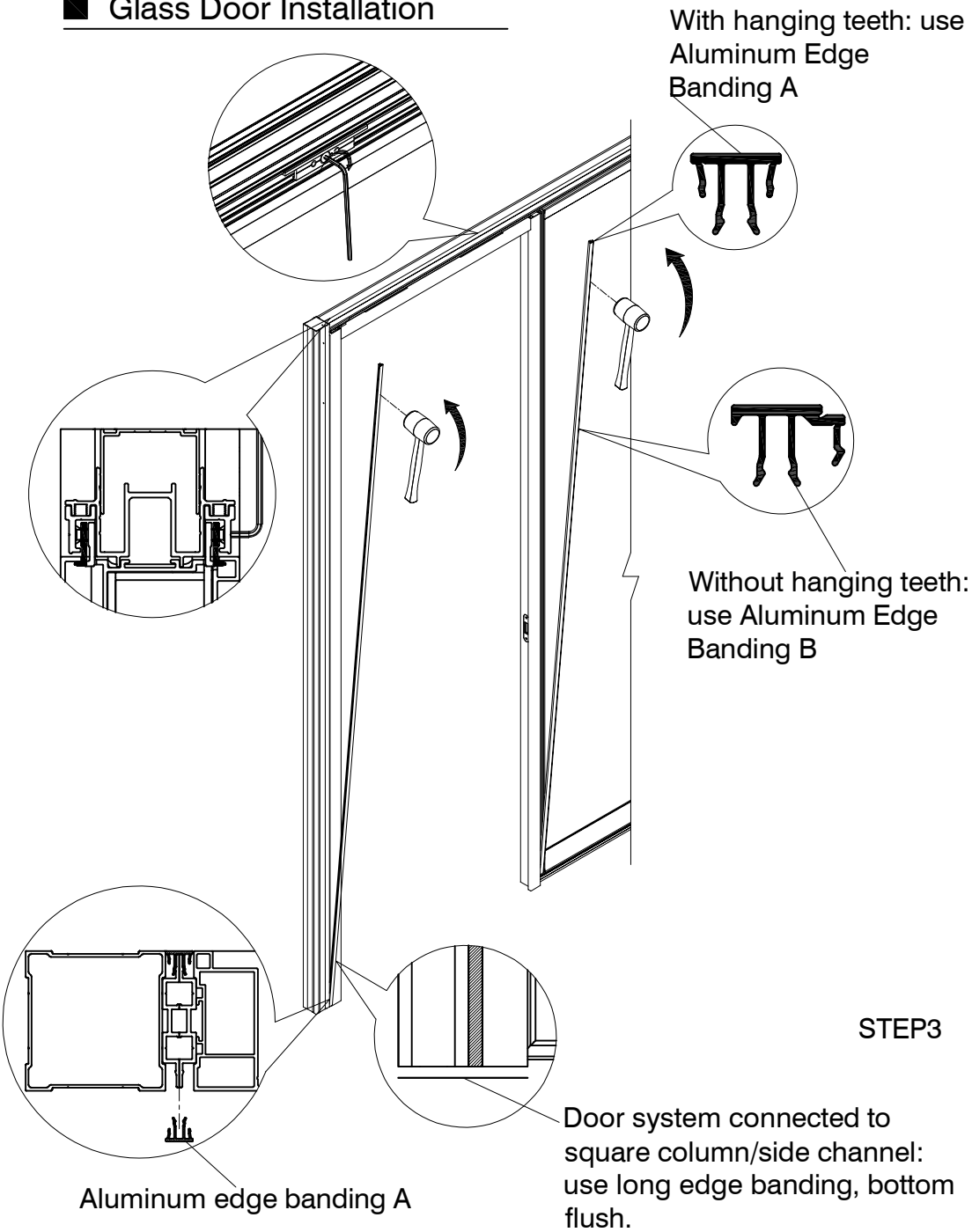


STEP1

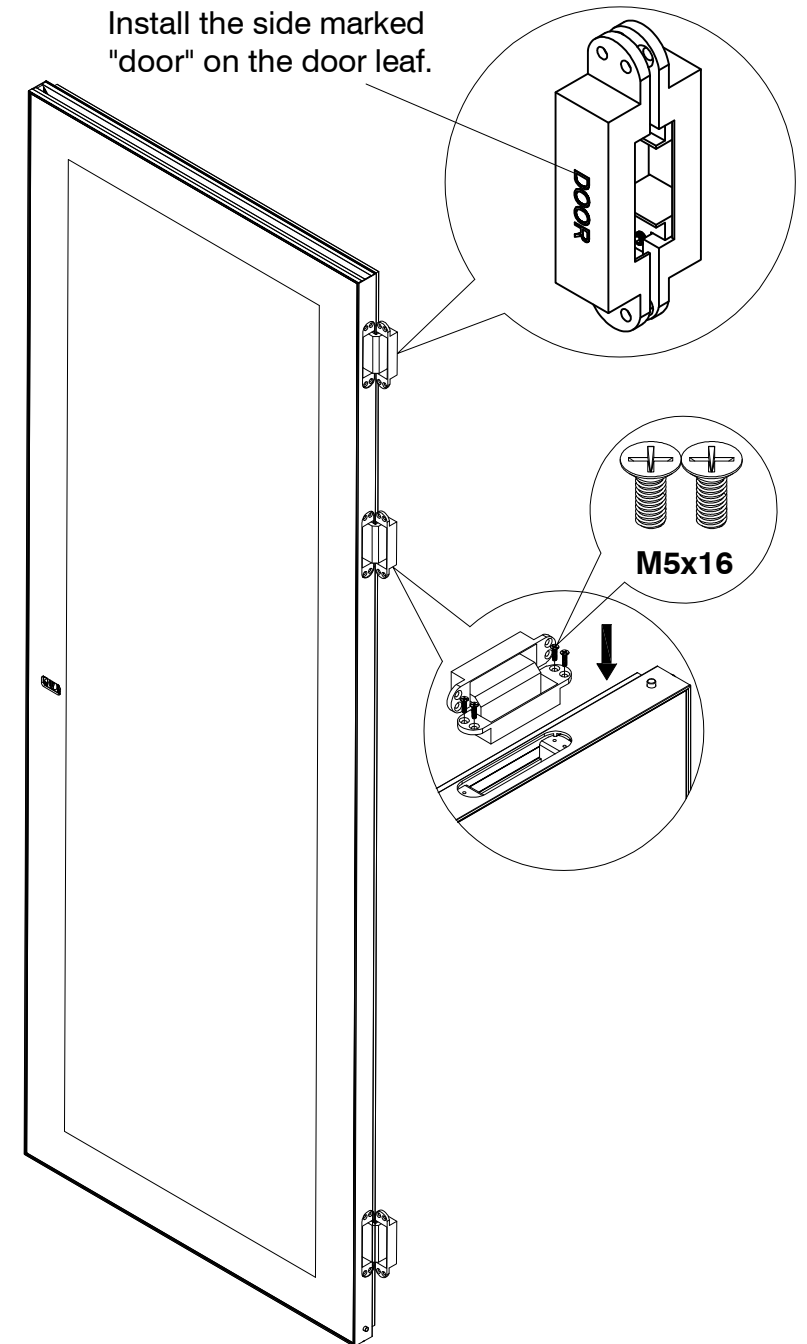


STEP2

■ Glass Door Installation

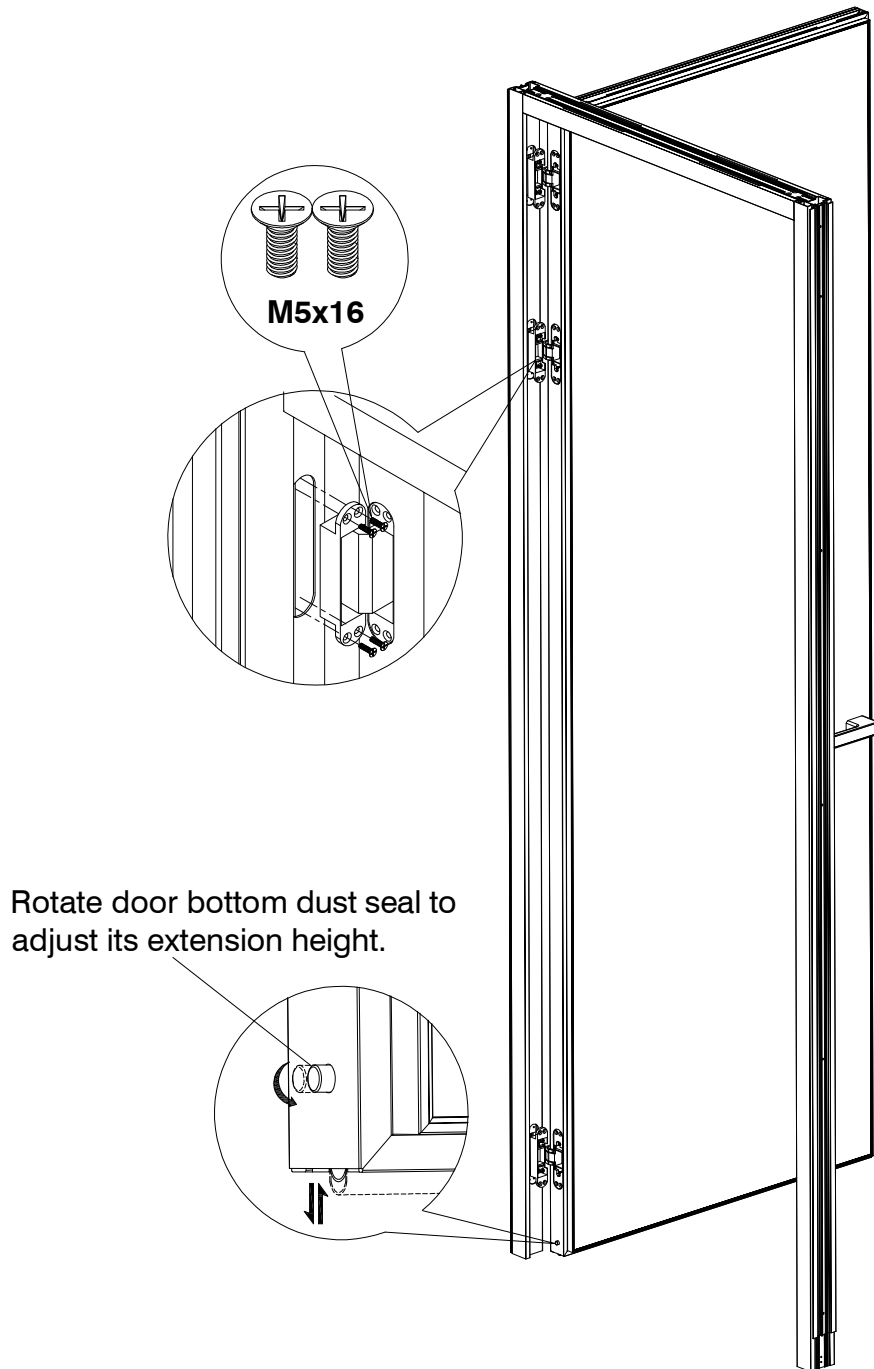


STEP3

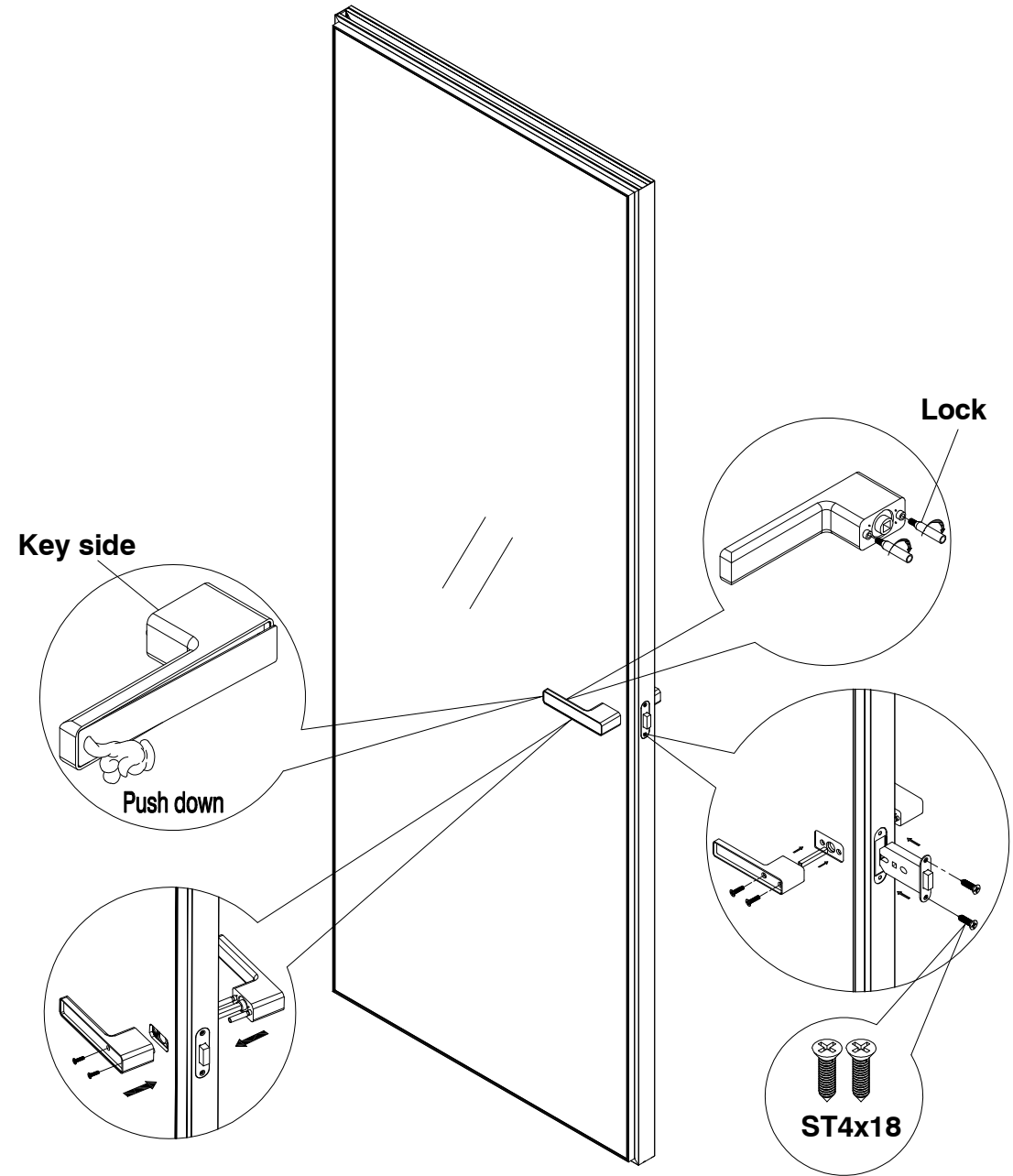


STEP4

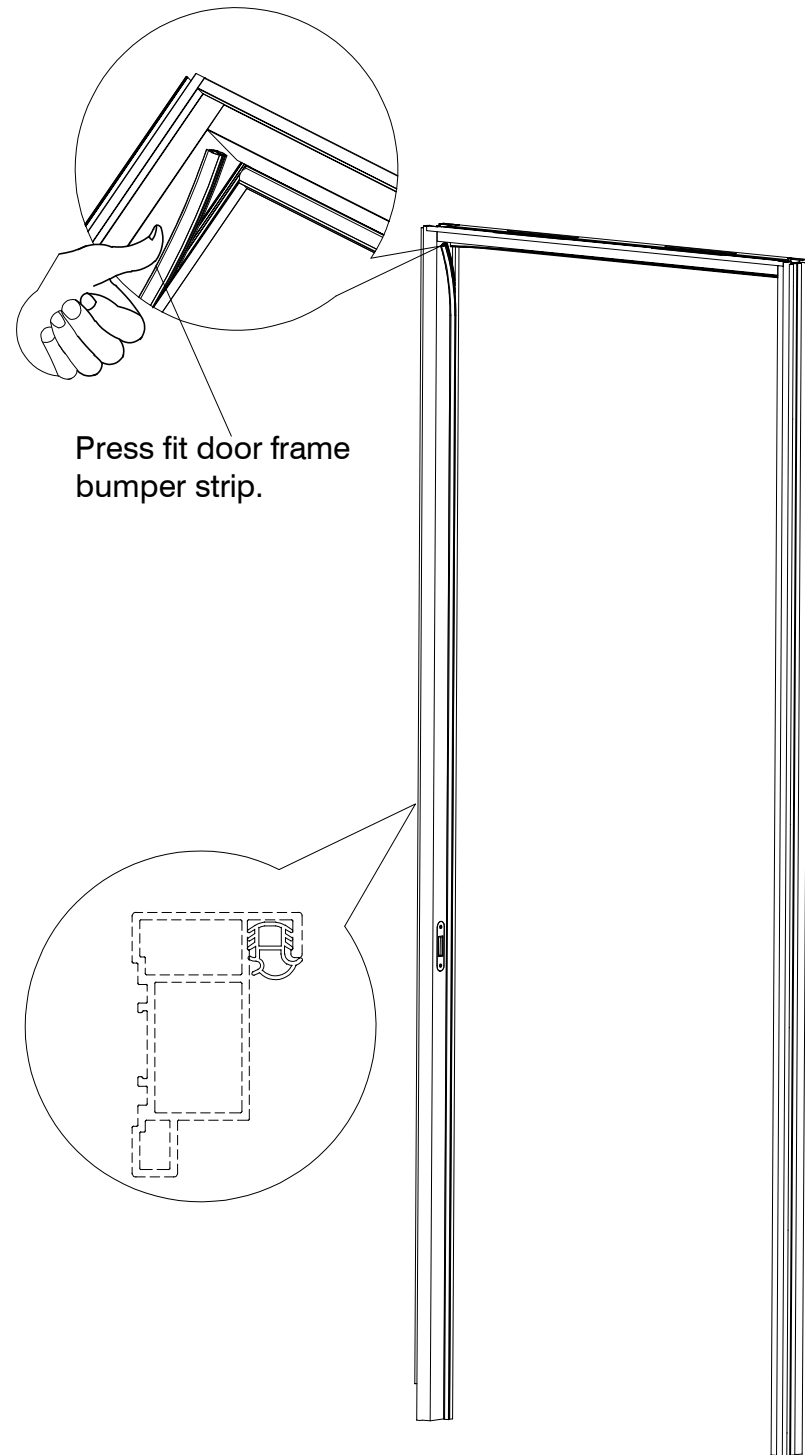
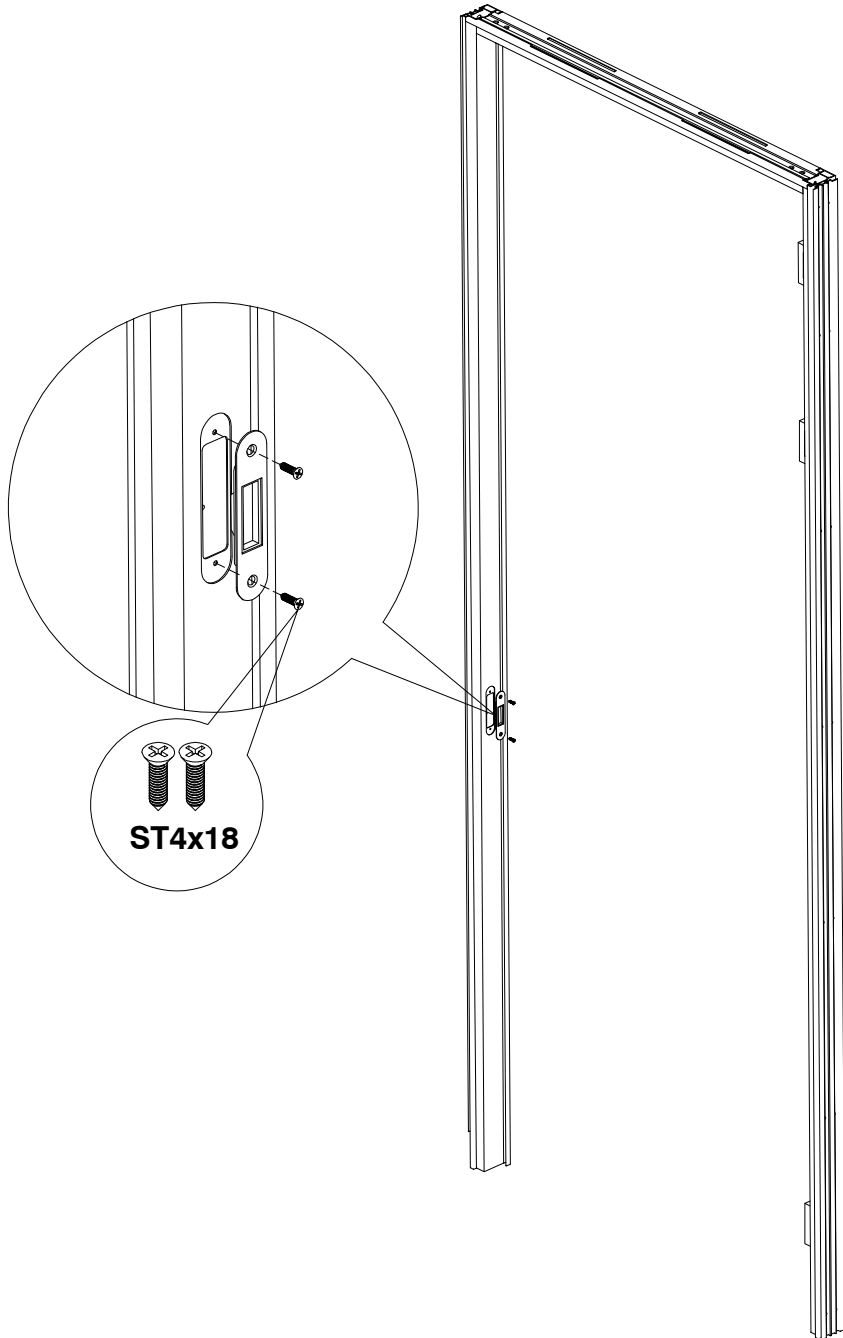
■ Glass Door Installation



STEP5



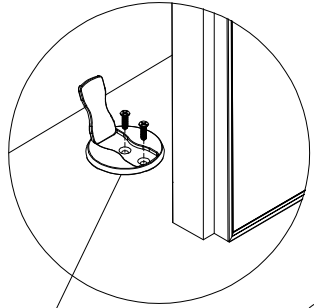
■ Edge Channel Installation



■ Edge Channel Installation

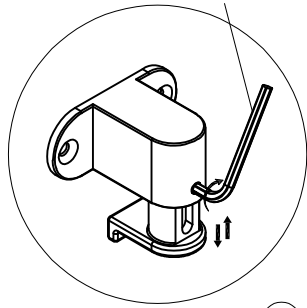
Door Stop Installation

Loosen the screws and adjust to the appropriate height



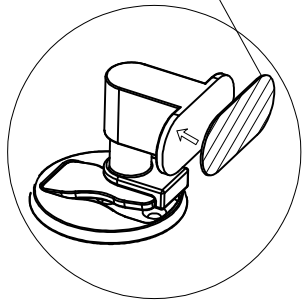
Secure to floor at proper position.

A



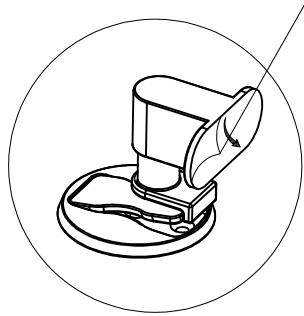
B

Attach the corresponding double-sided tape to the component.

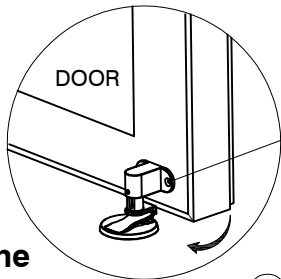


C

Peel off the protective paper from the double-sided tape.



D

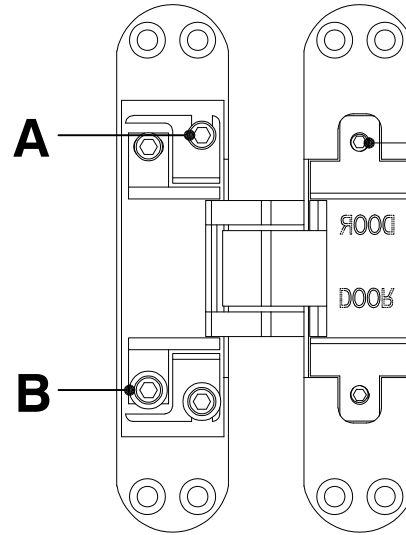


Slowly move the door close to attach it to the double-sided tape on the door stop.

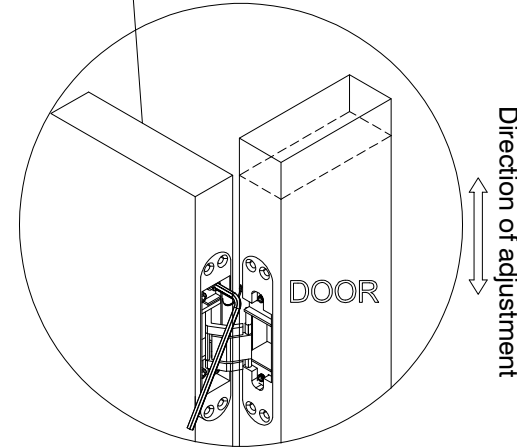
E

⚠ Tip: Clean the glass at the door installation position before installing the door stop.

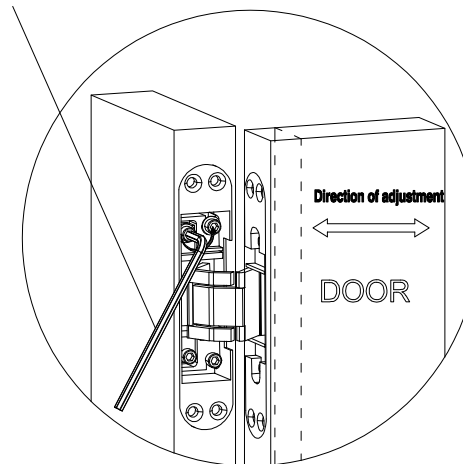
Door Hinge Adjustment Instructions



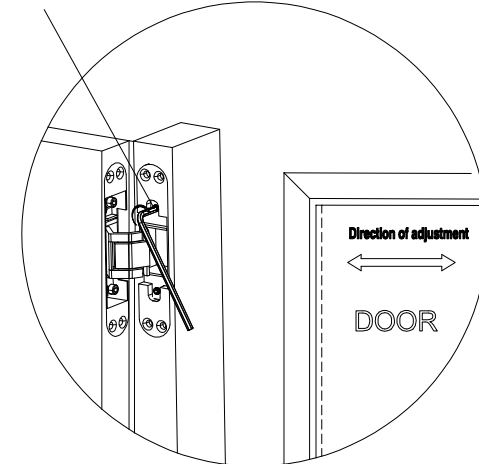
Loosen screw A, lift door to adjust vertical gap.



Loosen screw B to adjust door flatness.

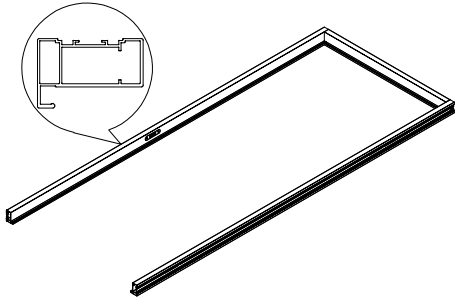


Loosen screw C to adjust horizontal gap between frame and door.

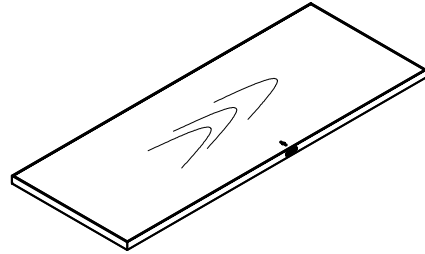


Wooden Door Installation

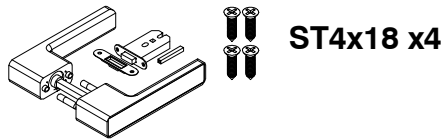
Wooden Door System Accessories



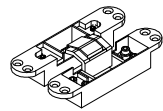
Wooden Door Frame x1
(Left & Right)



Wooden Door Leaf x1



Door Lock Assembly x1



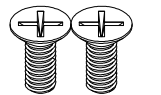
Door Hinge x3



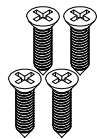
Door Catch x1



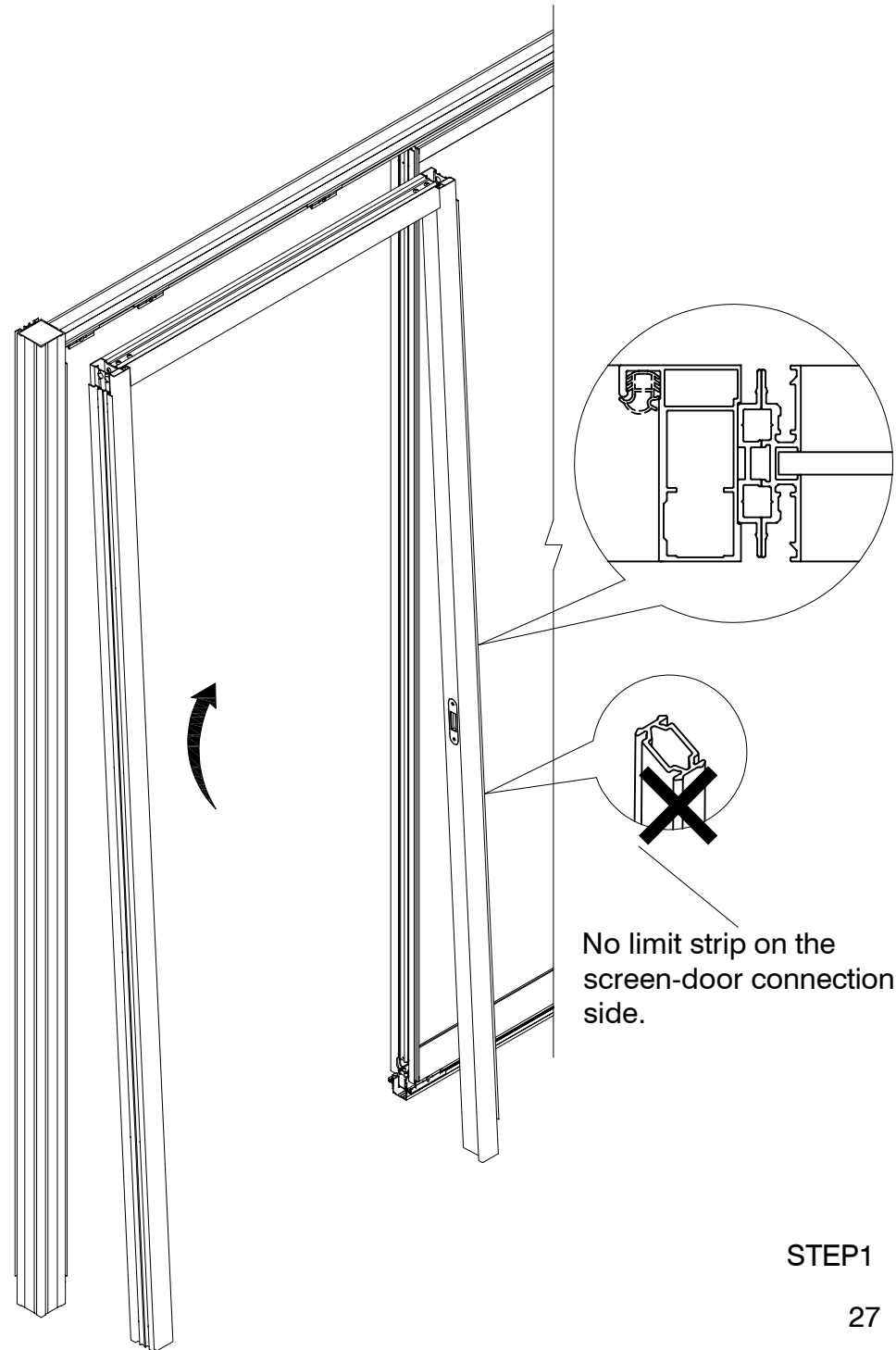
Door Bumper Strip



M5x16 x12

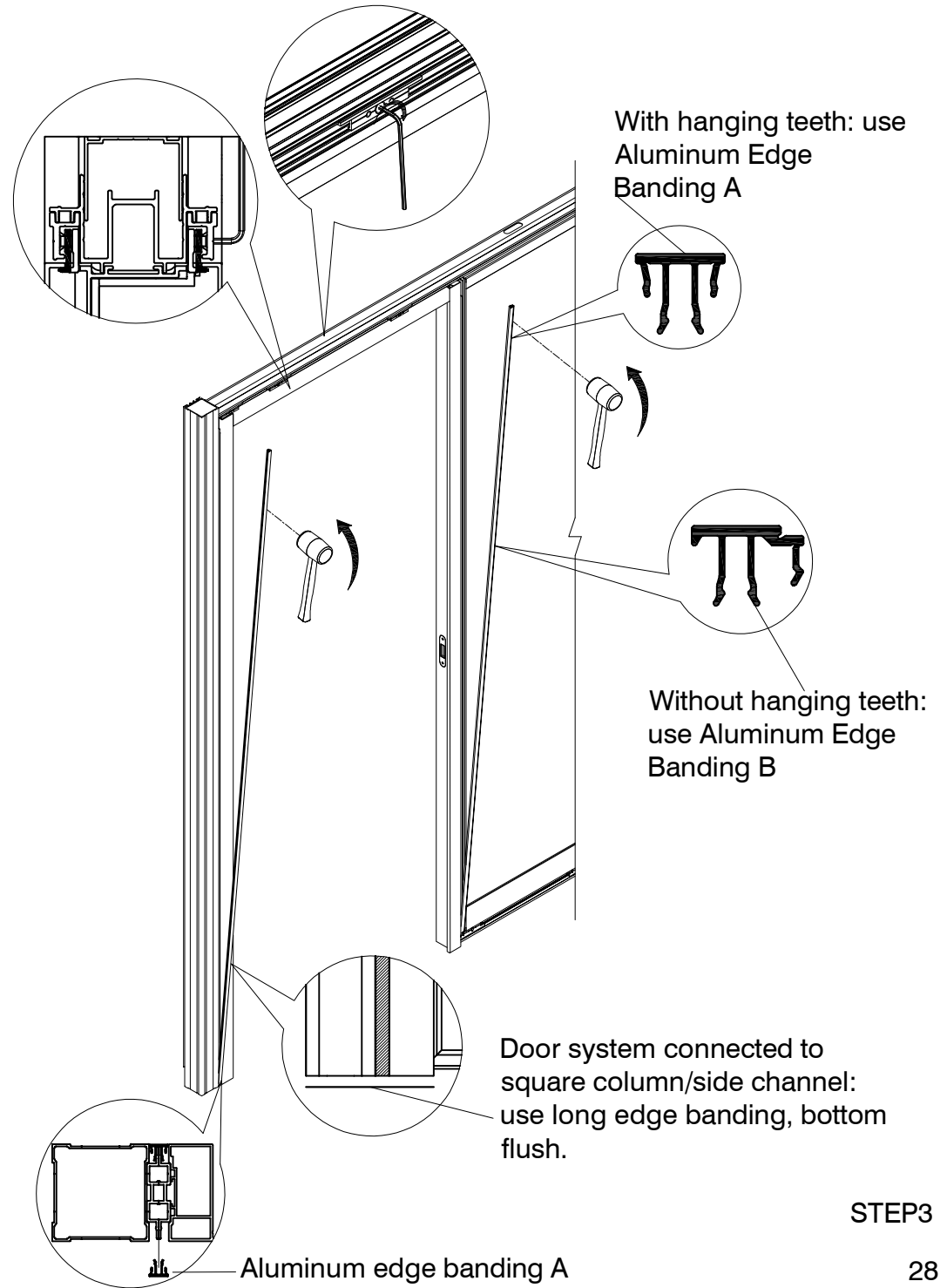
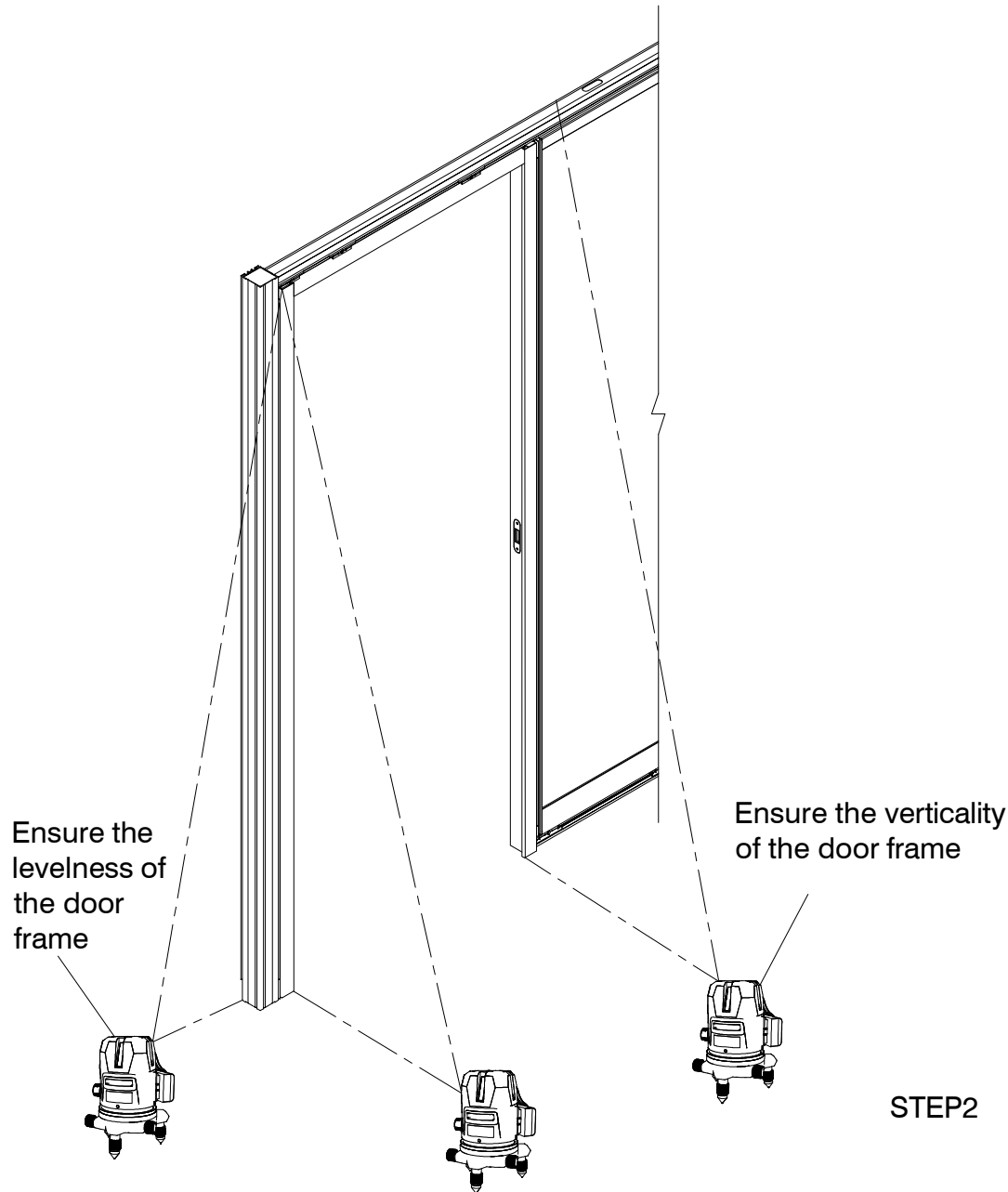


ST4.8x20 x12



STEP1

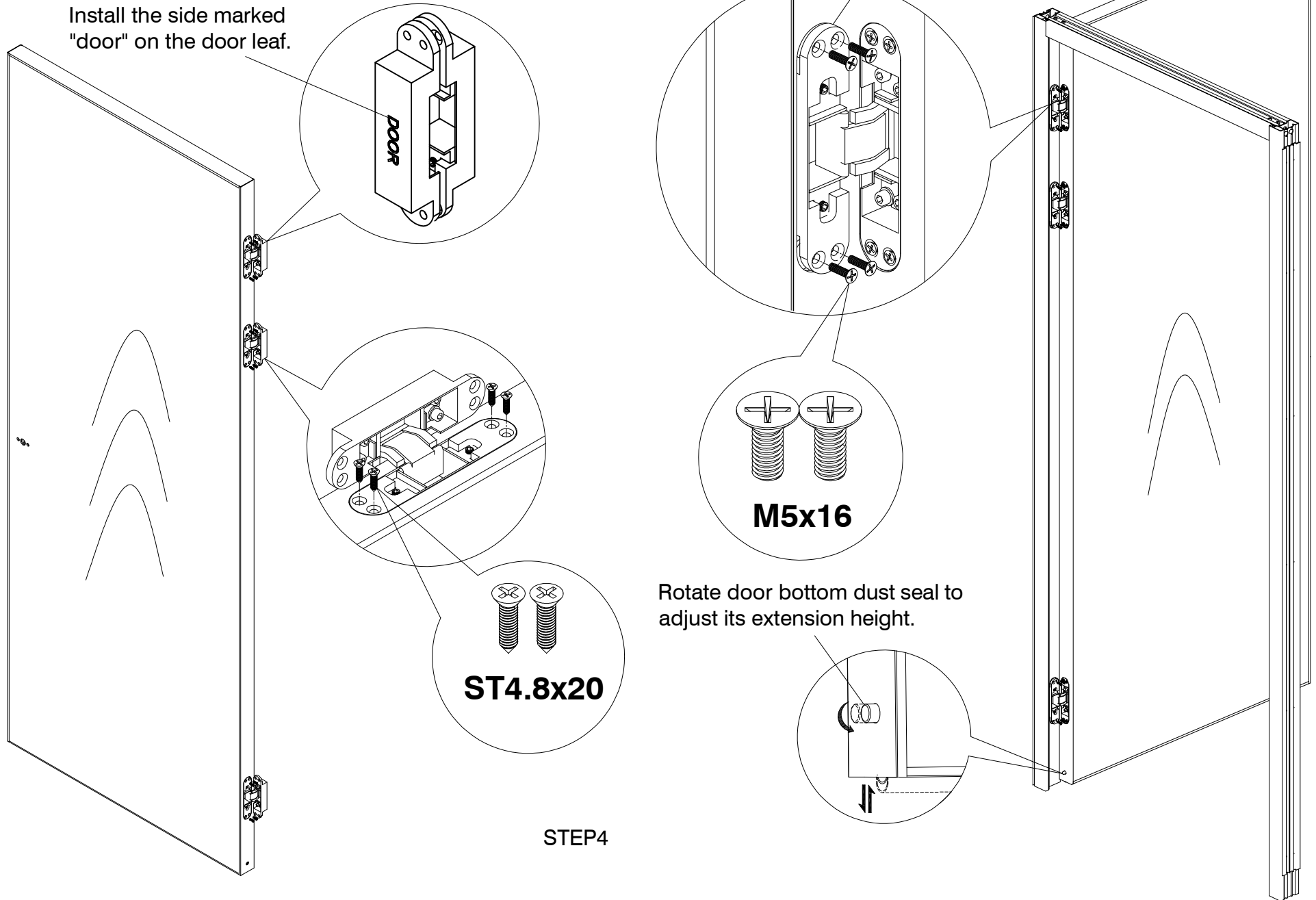
Wooden Door Installation



Wooden Door Installation

Install the side marked "door" on the door leaf.

Door hinge adjustment instructions refer to page 26.



ST4.8x20

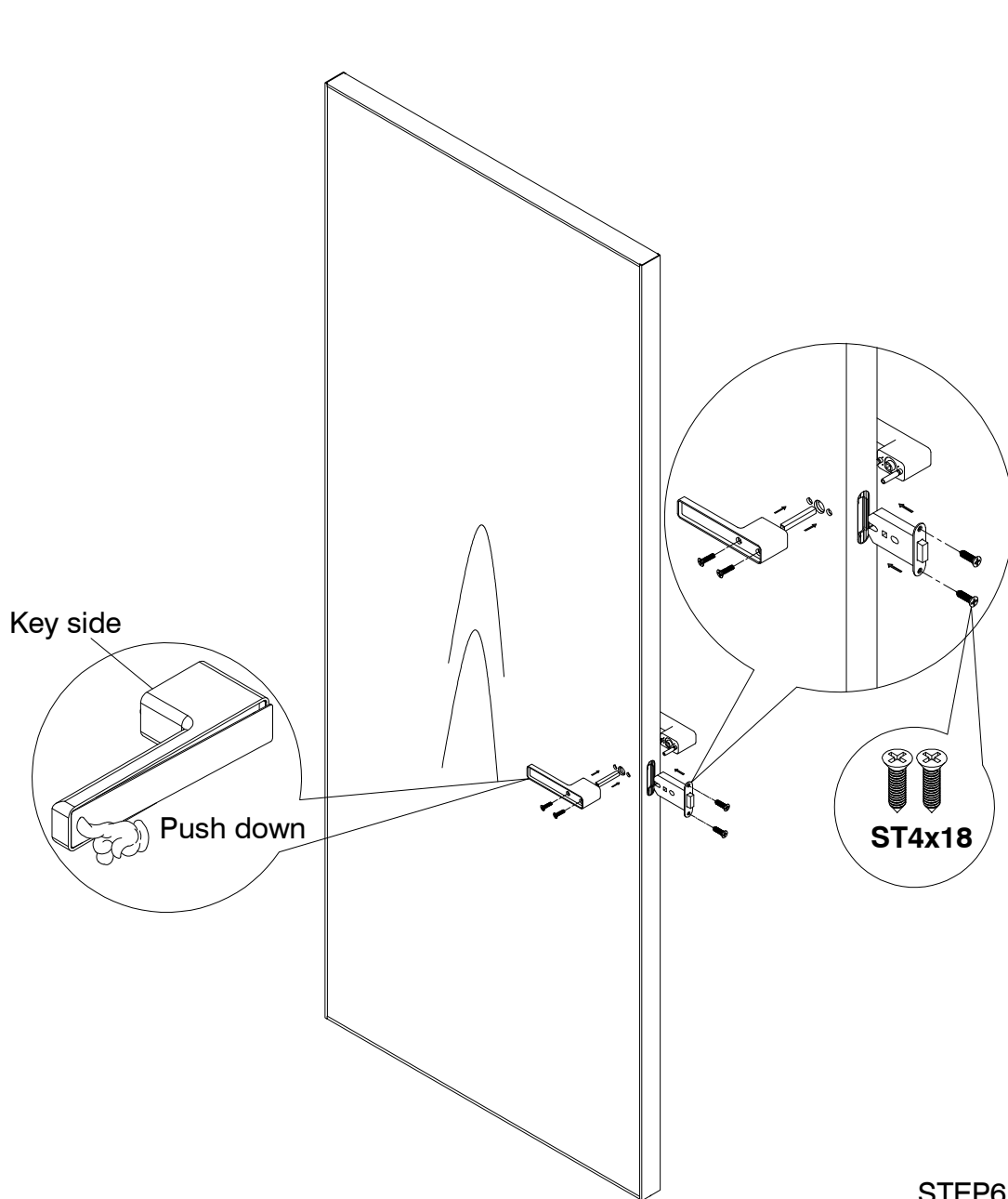
M5x16

Rotate door bottom dust seal to adjust its extension height.

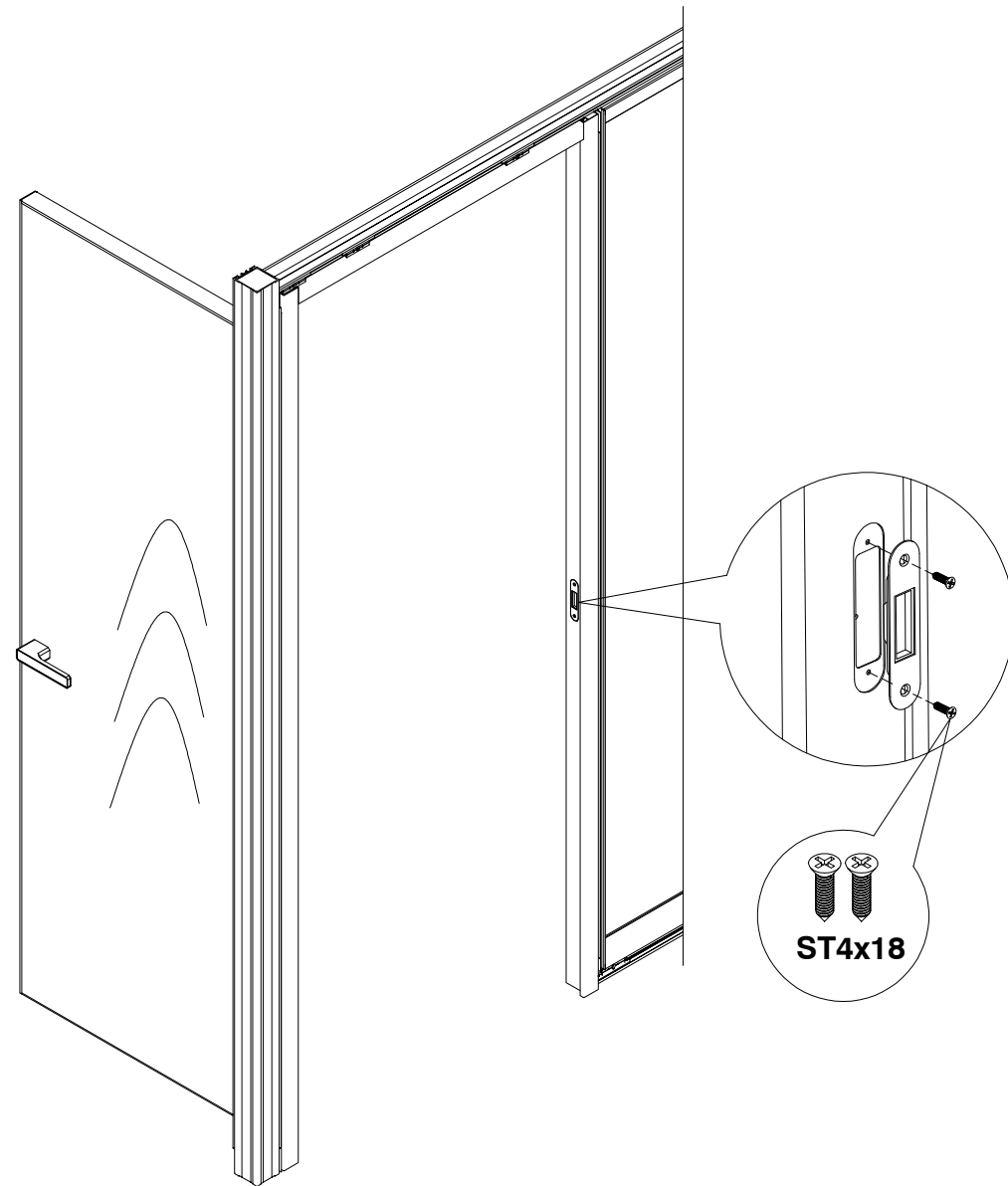
STEP4

STEP5

■ Wooden Door Installation

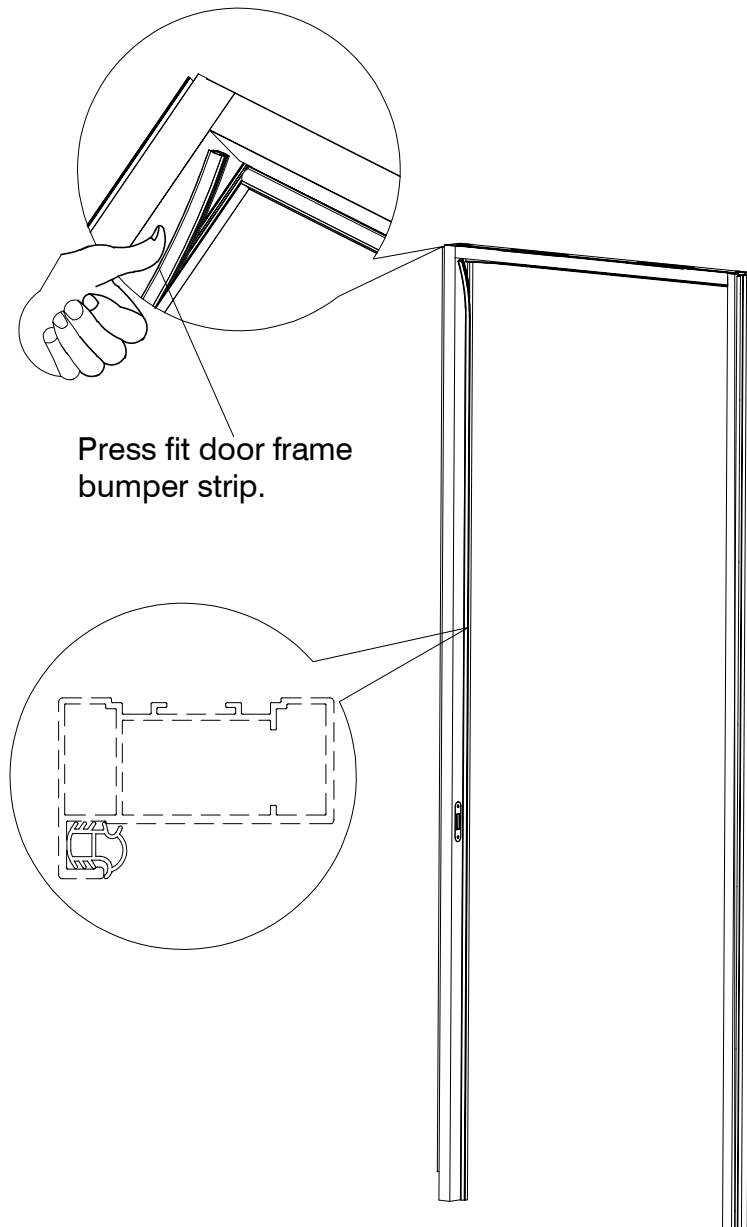


STEP6

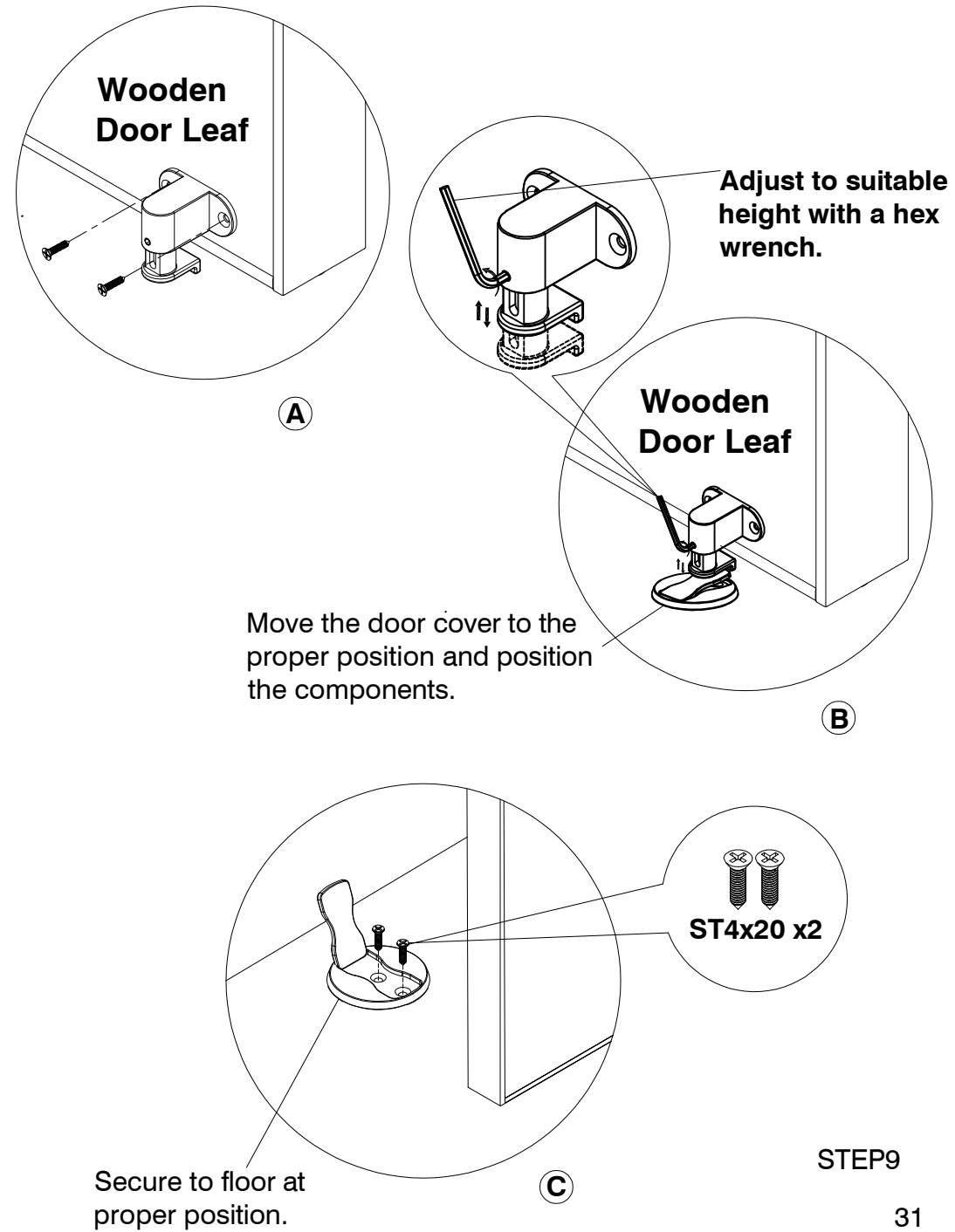


STEP7

Wooden Door Installation



STEP8



STEP9