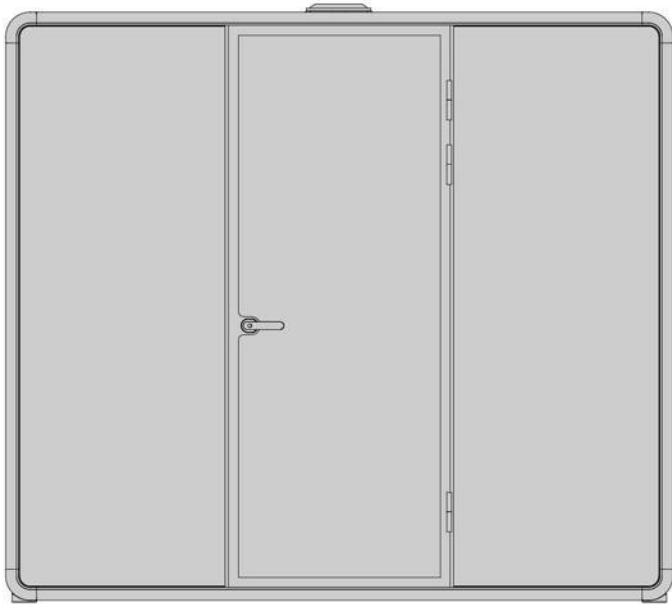


# USER'S MANUAL

for MODEL XL



SUNLINE

---

**I SPECIFICATION**

---

1.1	General	02
1.2	Parts & material	03
1.3	Wiring diagram	04
1.4	PLC	05
1.5	Dimmer controller	06
1.6	Internal power supply	08

**II ATTENTION**

---

2.1	Installation	11
2.2	Electricity	13
2.3	Daily use	15

**III INSTALLATION INSTRUCTION**

---

3.1	Before start	23
3.2	Parts list	24
3.3	Booth installation	24
3.4	Integrated furniture installation	25
3.5	Check list	26
3.6	Trouble shooting	28

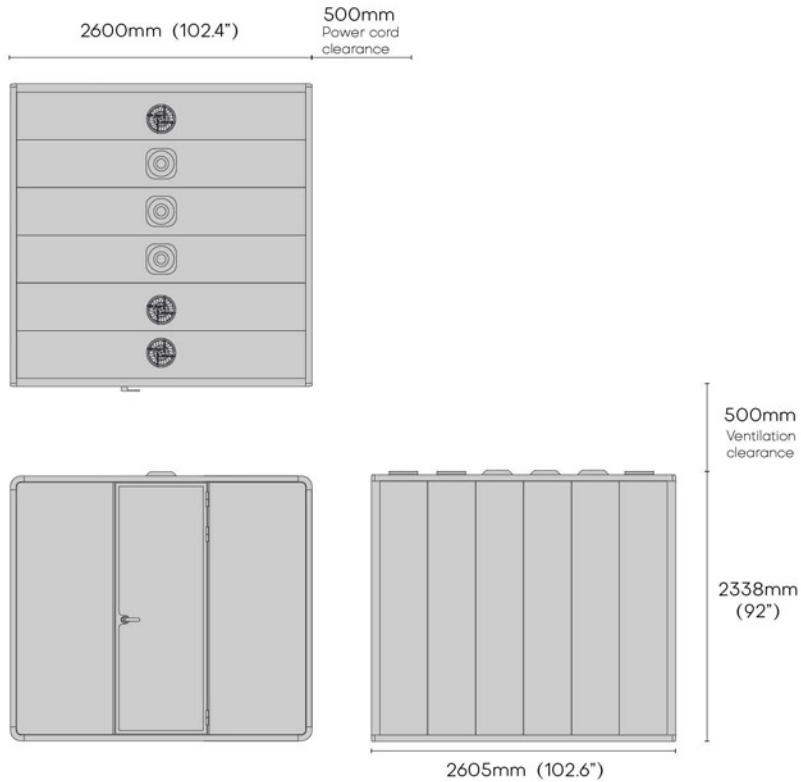
**IV MAINTENANCE**

---

4.1	Regular maintenance instruction	32
4.2	Warranty card	34

## 1.1 General

### External size

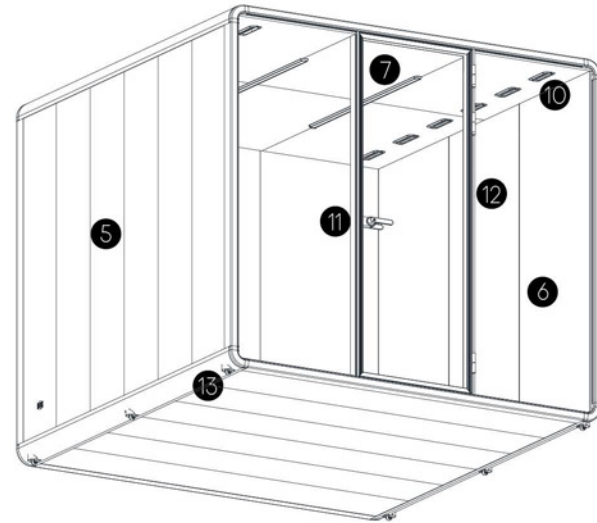
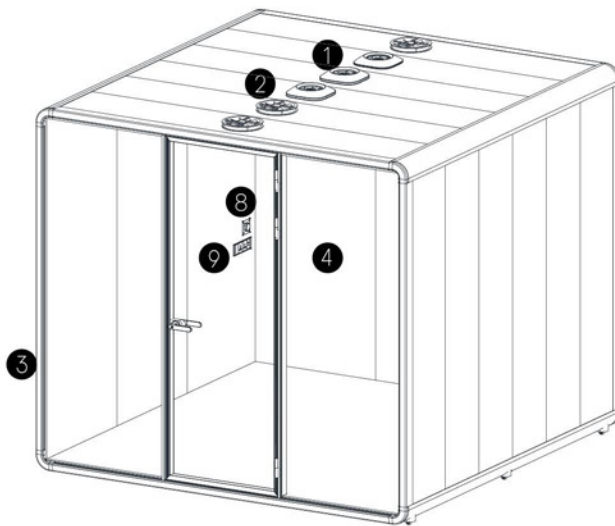


# I SPECIFICATION

## 1.1 General

Ext. size	W2600mm (102.4") × D2605mm (102.6") × H2326mm (91.6");
Int. size	W2462mm (96.9") × D2565mm (101") × H2146mm (84.5");
Door Passage	W714mm (29.2") × D2118mm (83.4");
Floorspace	6.77m <sup>2</sup> (72.9ft <sup>2</sup> );
Degree of opening	180°/ 90° with door closer;
Packaging size	W2650mm (104.3") × D760mm (29.9") × H1270mm (50") + W2310(90.9) × D890(35) × H1270(50);
Net./ Gr. weight	970kgs (2138.5lbs) / 852kgs (1878.3lbs);
Power input	85~264VAC, 47~63hz / 120~370VDC;
Ventilation	0~327m <sup>3</sup> (425.1yd <sup>3</sup> )/hr adjustable, 5 minutes auto-exchange in 30 mins for vacancy.
Lighting	1280 LED strip light ×2, 0~2900lm/pc, adjustable color temperature 3000~6000K, default 4000K
Maximum power	150W;
PIR sensor	Auto-on by motion, 8-min auto-off delay (sockets excluded), adjustable timer & disable option
Power supply	5 hole universal outlet×2, USB Type A × 1, USB Type C × 1
Sound proofing	D <sub>SA</sub> 29.3dB in ISO 23351-2020;
Operational noise	<30dB when running in default setting

## 1.2 Parts &amp; material



- |                            |                              |                               |                               |
|----------------------------|------------------------------|-------------------------------|-------------------------------|
| 1 Intaking fan             | 5 Acoustic side board        | 9 Modular power socket        | 13 Damper feet / caster wheel |
| 2 Outtaking fan            | 6 PET acoustic felt + fabric | 10 Internal vent inlet/outlet |                               |
| 3 Alluminum frame          | 7 LED ceiling light          | 11 Lever handle lock          |                               |
| 4 laminated tempered Glass | 8 Dimmer controller          | 12 Barrel hinge               |                               |

# I SPECIFICATION

## 1.2 Parts & material

VER. 2310CN

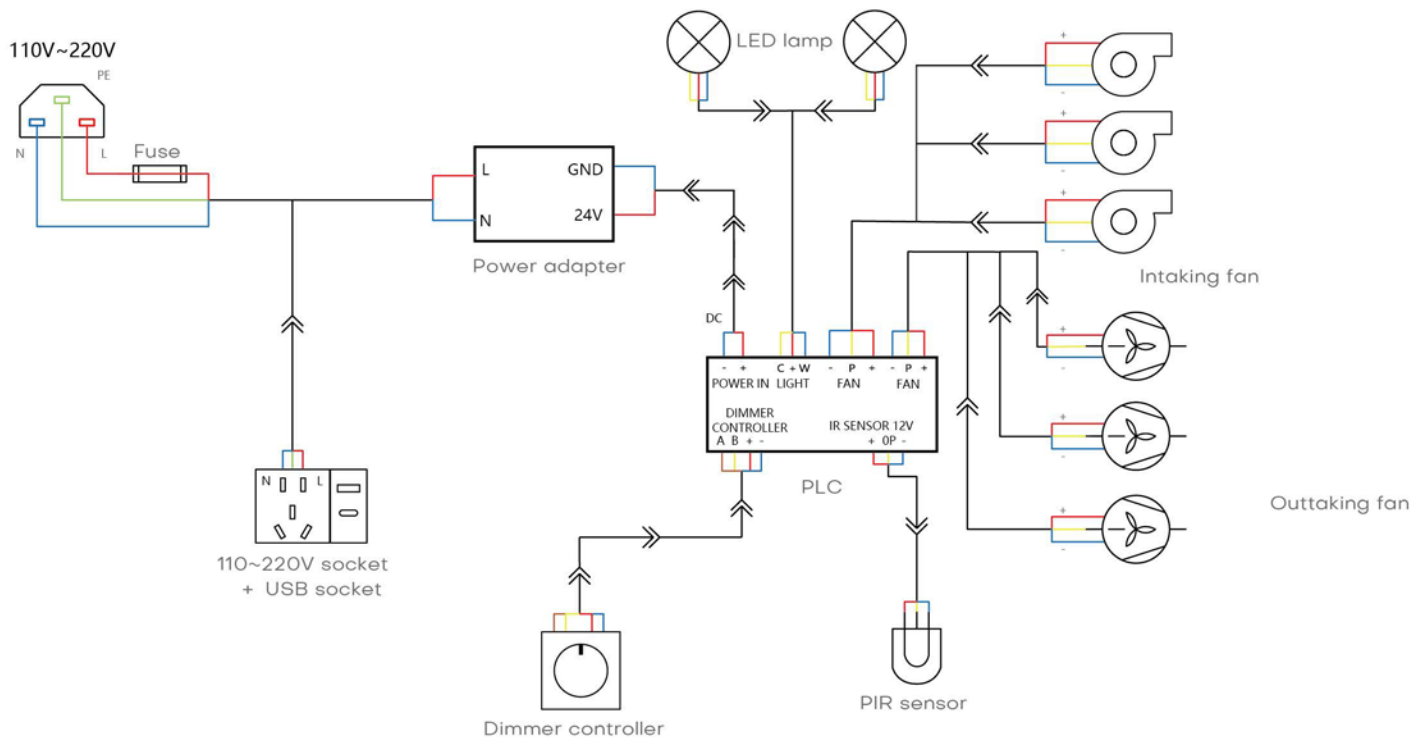
<b>Material</b>	Frame	6061 Alluminum alloy, electrostatic powder coating with DuPont thermosetting polymer powder;
	Glass	5+5mm laminated tempered glass, edge with screen print;
	Side wall	PVC film + galvanized steel sheet (outer) + polyester fiber acoustic wool + galvanized steel sheet (inner) (exterior-to-interior sequence)
	Sealing strip	Thermoplastic elastomer;
	Interior surface	12mm PET felt acoustic board + Polyester fabric;
	Carpet	Nylon fiber carpet with PVC based;
	Door lock	Aluminum lever handle lock with magnetic deadbolt, anodized housing, Optional key, external-side installation/removal;
	Hinge	Stainless steel detachable hinge, quick-mount;
	Door closer	Concealed cam-action door closer;
<b>Electricity</b>	Power adapter	Input 85~264VAC, 47~63hz / 120~370VDC, Output 24V, Maximum power 100W, OVP/SCP/OCP/OTP protection;
	Internal wire	OFC wire, flame-retardant PUJ, FL connector;
	Inlet power socket	IEC C14 AC Socket with switch & 10A fast-blow glass fuse;
	Power cord	IEC C13 AC Power cable;

## 1.2 Parts &amp; material

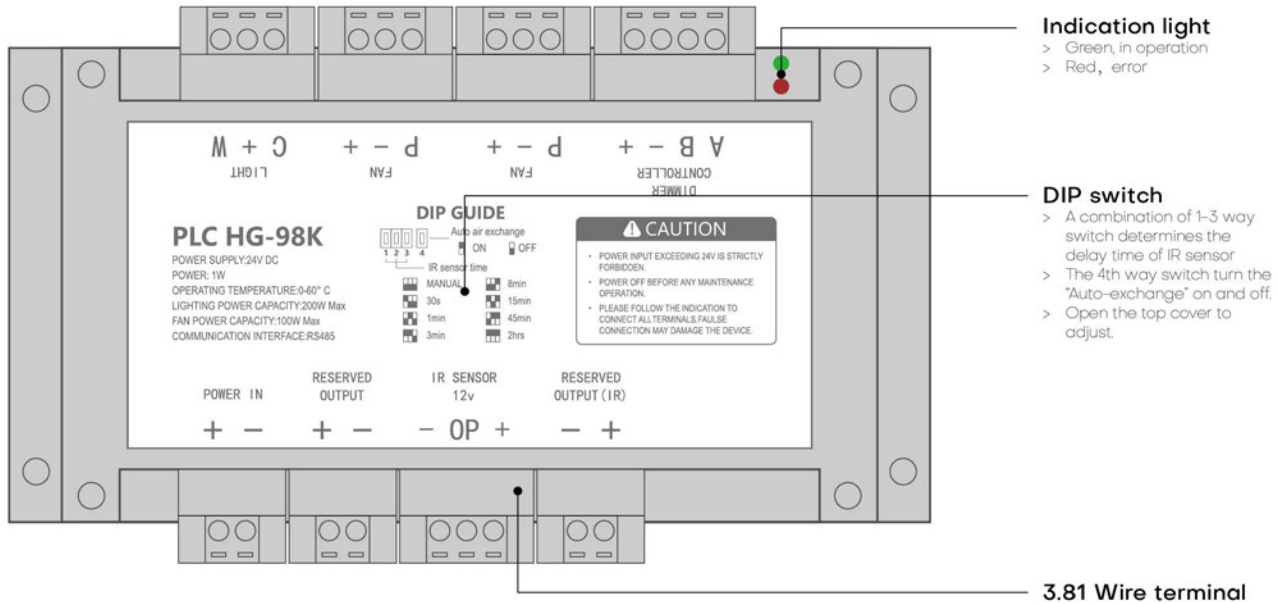
Electricity	PLC	Screw-clamp terminal connector; Adjustable human detection timer (ON/OFF); Auto-ventilation switch (ON/OFF); SDK-enabled
	PIR sensor	120° cone angle, 3m range, low electrical level when no detection;
	Dimmer controller	Anodized aluminum alloy; Mode/Off toggle button; Knob adj.; Power icon button (Fan+Light master off); Long-press when off; Manual override
	Intaking fan	Φ220 centrifugal fan*3 24V, 0-1050rpm adjustable;
	Outtaking fan	Φ250 axial fan*3, 24V, 0-1050rpm adjustable;
	Ceiling lamp	1280mm LED lamp*1, OSRAM module, 24V, Anti-glare index 20, CRI 92, low flicker, individual luminous flux: 0-2900lm adjustable, default: 80% Color temperature : 3000k-6000k adjustable, default:4000k;
	AC power supply	5 hole universal outlet*2 (Multi-type outlet available), Rated current: 10A, Rated power:1100W/110V,2400W/240V, Withstand voltage: DC3000V, 10mA, 10s;
	DC power supply	USB-A*1 Qualcomm-QC 3.0, USB-C*1 PD20W, Output: 5V/3A, 9V/2.22A, 12V/1.67A.

# I SPECIFICATION

## 1.3 Wiring diagram



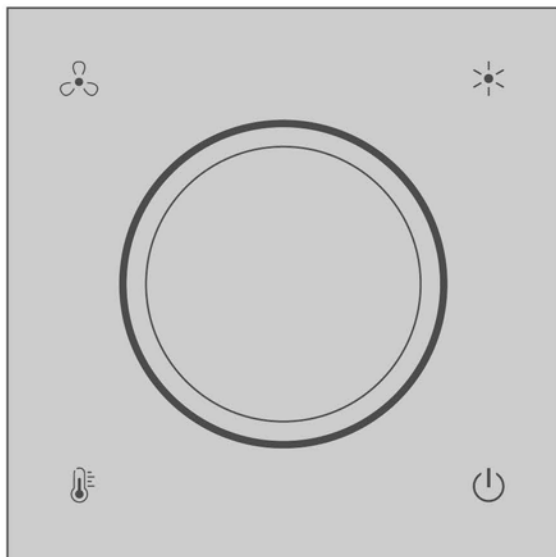
1.4 PLC



- > DC Input: 24V;
  - > Working temperature : 0°C ~ 60°C;
  - > Operating humidity: <85% (without dew condensation);
  - > Maximum power of lamp 200W, 1 circuit accommodates;
  - > Maximum power of fan 100W, 2 circuit accommodates;
  - > IR sensor works in 12V , low level when no detection;
  - > Communication to dimmer controller in RS485 , MODBUS protocol;
  - > Power consumption less than 1W (without extra device connected).
- ⚠ ATTENTION**
- > Input above 24V is strictly forbidden;
  - > Power off before any maintenance;
  - > Please connect all terminals as the instruction content, False connection may damage the device.

# I SPECIFICATION

## 1.5 Dimmer controller



### Ventilation

---

- > Short press button to turn on when off;
- > Short press button when ventilation is on, the button switch to white. Turn the knob to adjust;
- > Long press button for 2 seconds to turn off.



### Light strength

---

- > Short press button to turn on when off;
- > Short press button when light is on, the button switch to white. Turn the knob to adjust;
- > Long press button for 2 seconds to turn off.



### Light temperature

---

- > Short press button when light is on, the button switch to white. Turn the knob to adjust;

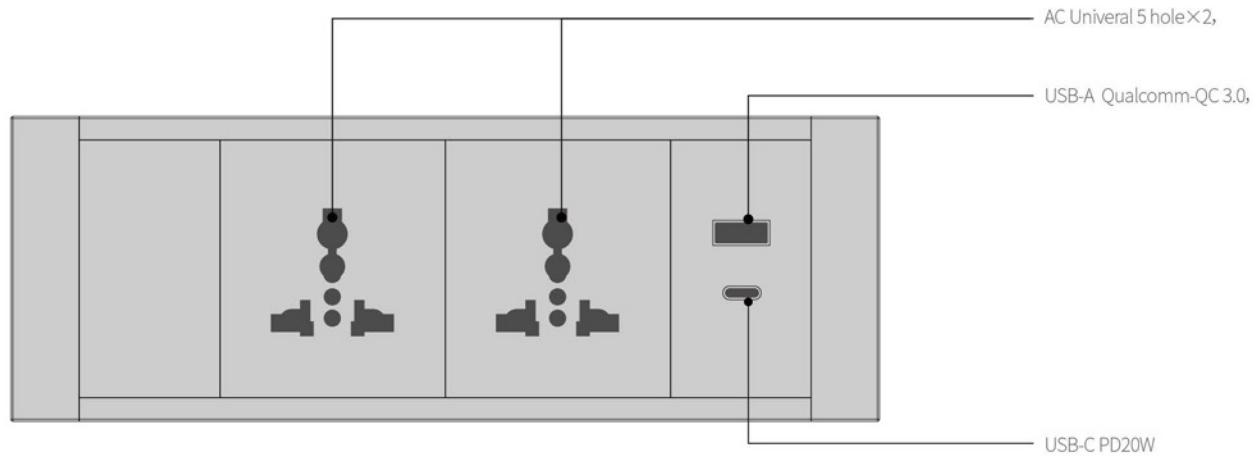


### Power

---

- > Short press button to turn on both ventilation and light when off;
- > Short press button to turn off both ventilation and light when on, the IR sensor will be disabled for 30 seconds;
- > Long press button for 5 seconds when off, IR sensor will be disabled and all device will be on. Short press will turn off and resume default.
- > Long press button for 5 seconds when on, IR sensor will be disabled and all device will be off. Short press will turn on and resume default.







## 1.6 Internal power supply






- > External size : 193mmx70mmx45mm
- > Rated current: 10A
- > Rated power: 1100w/110v, 2400w/240v
- > voltage-withstand: DC3000V, 10mA, 10s

## II ATTENTION

### 2.1 Installation

	Please wear safety gloves and work boots to prevent injuries from heavy objects falling and sharp edges.
	Please communicate with local property management for the safety management requirements.
	Please separate parts from unpacking waste to prevent damage to parts' surface.
	Please do not use sharp tools to directly contact the surface of parts, especially interior components, to avoid scratches.
	Some packaging materials are flammable, please keep away from fire.
	If installed on an elevated floor, please strictly confirm the weight conditions of the floor beforehand.

### 2.2 Electricity

	Input voltage range: 100-240 VAC (10 A) 50-60 Hz. Please ensure that the on-site power supply meets the requirements;
	External power supply: Please use sockets with grounding wires;
	Do not use adapters to convert the socket for external power supply;

	Do not modify the electrical circuit without the presence of professionals to avoid damage to electrical equipment;
	The maximum power capacity of internal power supply is 1500W, exceeding the limit will cause fuses to blow;
	Touching place with the following labels may have risk of electrical shock. Please do not open up without authorization from the manufacturer;



## 2.2 Daily use

	Do not bring smelly or smoke producing items inside, as residues may be left that are difficult to remove;
	Do not slam the door to avoid glass breaking;
	Do not smoke or use open flames inside to prevent fire hazards;
	If any fire hazard happen inside, please exit, turn off the power or pull out the power cord, and call for rescue. ;
	Before moving the product by casters, make sure all personnel exit, lock the door, and detouch the power cord;
	Raise all level feet to the highest limit and remove all obstacles higher than 5mm on the route when moving the product;
	After moving to the target position, please adjust the level feet to let the wheel off the ground before any other operation;
	All wall-mounted furniture has a load limit of 45kg. Do not place items exceeded 45kg to avoid damage. Please place the following sticker at a visible area of the desktop.



# III INSTALLATION INSTRUCTION

## 3.1 Before start

- > Two or more persons are required for installation.
- > Check major parts (A-D) to make sure no missing or surface damage.
- > Make sure there is sufficient space for installation at the site. The power interface should be left with enough space to pull out the power cord and operate the switch. More than 500mm of space should be reserved on the top to ensure enough space for ventilation and avoid sound reflection from being concentrated on the top, affecting user experience.
- > The following tools are recommended to bring for a better installation experience (using the standard tools can also complete the installation).



2 Person



Helmet



Safety gloves



Safety boots



Power drill



Cross head bit



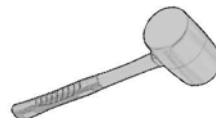
H3 bit



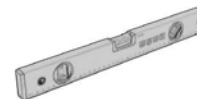
H4 bit



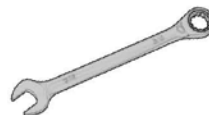
Ladder



Rubber mallet



Level tool

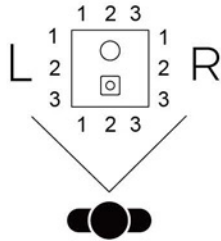


H16 Ratchet spanner

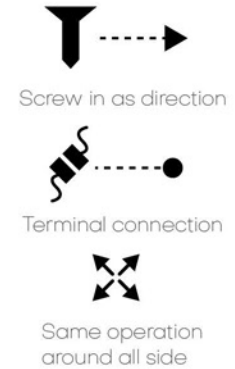
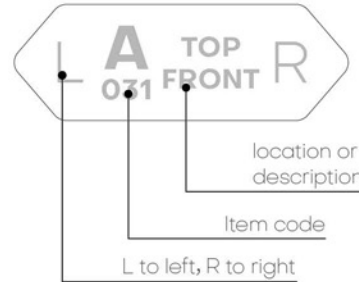
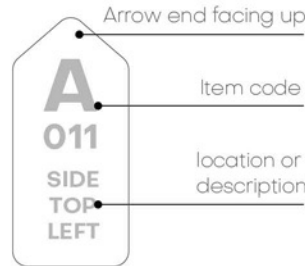


Glass suction handlerX2

3.2 Parts list



All location remarks are refer to the point that shown above.



VER. 2310CN

Coding rules

- A-000 Aluminum
- B-000 Glass
- C-000 Side board
- D-000 Interior
- Y-000 Accessory
- Z-000 Standard tool





Z-000 Standard tool

Code	Descr.	Qty.	Preview
Z-001	Wrench	1	
Z-002	H4 Hex Key	1	
Z-003	H2.5 Hex Key (Door Closer Adjustment)	1	
Z-004	H5 Hex Key (for Door Closer Screws & Leveling Feet)	1	
Z-005	S/E H4 Hex Key + L/E Phillips Driver	1	



### III INSTALLATION INSTRUCTION

#### 3.2 Parts list





##### A-000 Aluminum

Code	Descr.	Qty.	Preview
A-011	Side top left	1	
A-012	Side Bottom left	1	
A-013	Side top right	1	
A-014	Side top right	1	
A-021	Front middle left	1	
A-022	Back middle left	1	
A-023	Front middle right	1	
A-024	Back middle right	1	
A-031	Top front	1	
A-032	Bottom front	1	
A-033	Top back	1	
A-034	Bottom back	1	
A-101	Corner block	8	
A-201	Jamb	1	

##### B-000 Glass

Code	Descr.	Qty.	Preview
B-101	Door	1	
B-011~B-012	Front	2	
B-021~B-023	Back	3	

##### B-000 Side board

Code	Descr.	Qty.	Preview
C-011~C-016	Left	6	
C-021~C-026	Right	6	
C-031~C-036	Top	6	
C-041~C-046	Bottom	6	

## 3.2 Parts list

### D-000 Interior

Code	Descr.	Qty.	Preview
D-011~C-012	Left	2	
D-021~D-022	Right	2	
D-031~D-032	Top	2	
D-040	Carpet	1	

### Y-000 Accessory

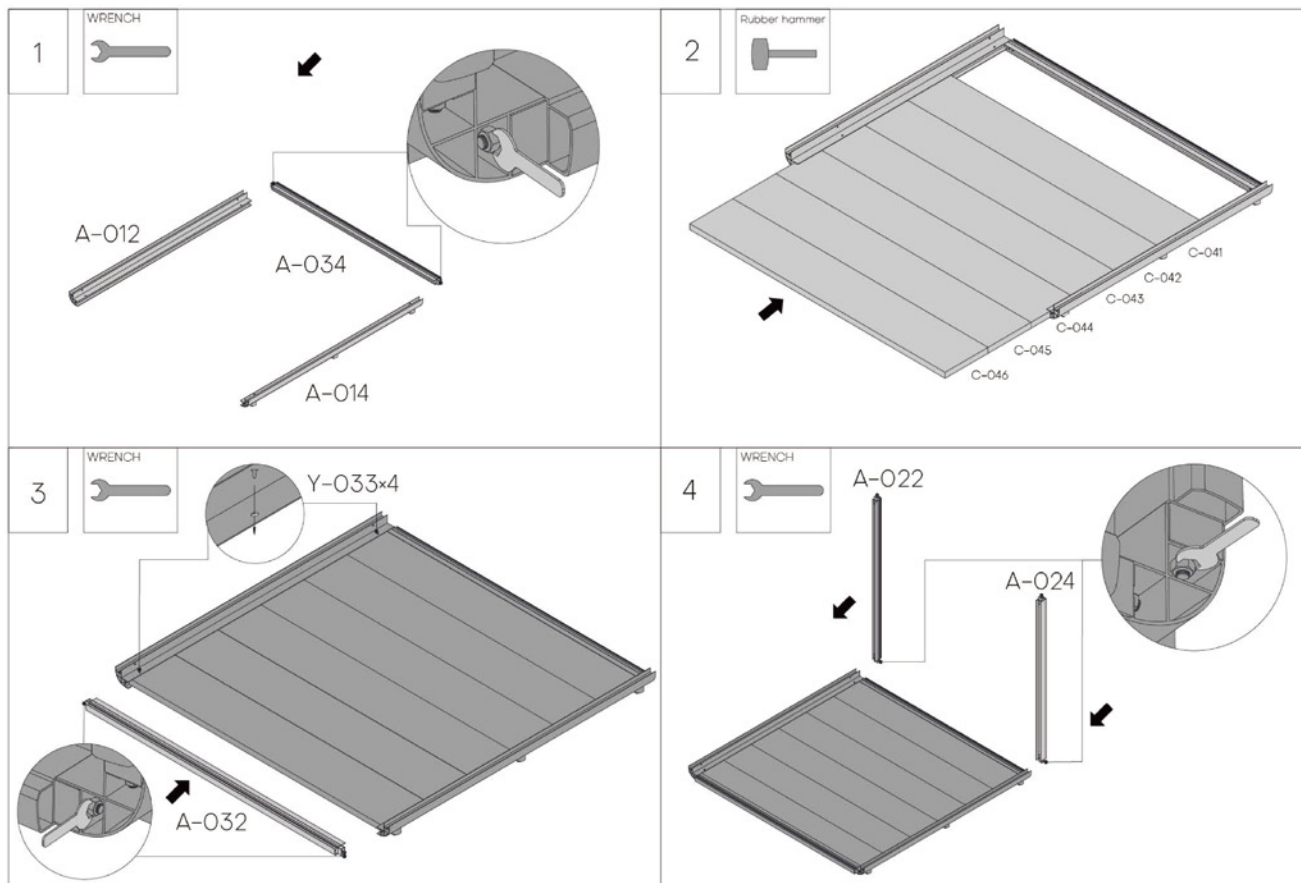
Code	Descr.	Qty.	Preview
Y-011	Power Card	1	
Y-012	Power socket	1	
Y-013	Dimmer controller	1	

Code	Descr.	Qty.	Preview
Y-014	PIR sensor	2	
Y-015	lamp	1	
Y-021	Lock	1	
Y-022	Door closer arm	1	
Y-031	M5*16 screw	26+2	
Y-032	M6*12 screw (Y-021 further end)	1	
Y-033	M6*12 screw (Y-021 close end)	1	
Y-034	door screw	2	
Y-035	Set screws	1	
Y-036	ST4.2*25 screw	8+1	
Y-041	Glass sealing strip (Inner)	1	
Y-042	Glass sealing strip (Between)	1	

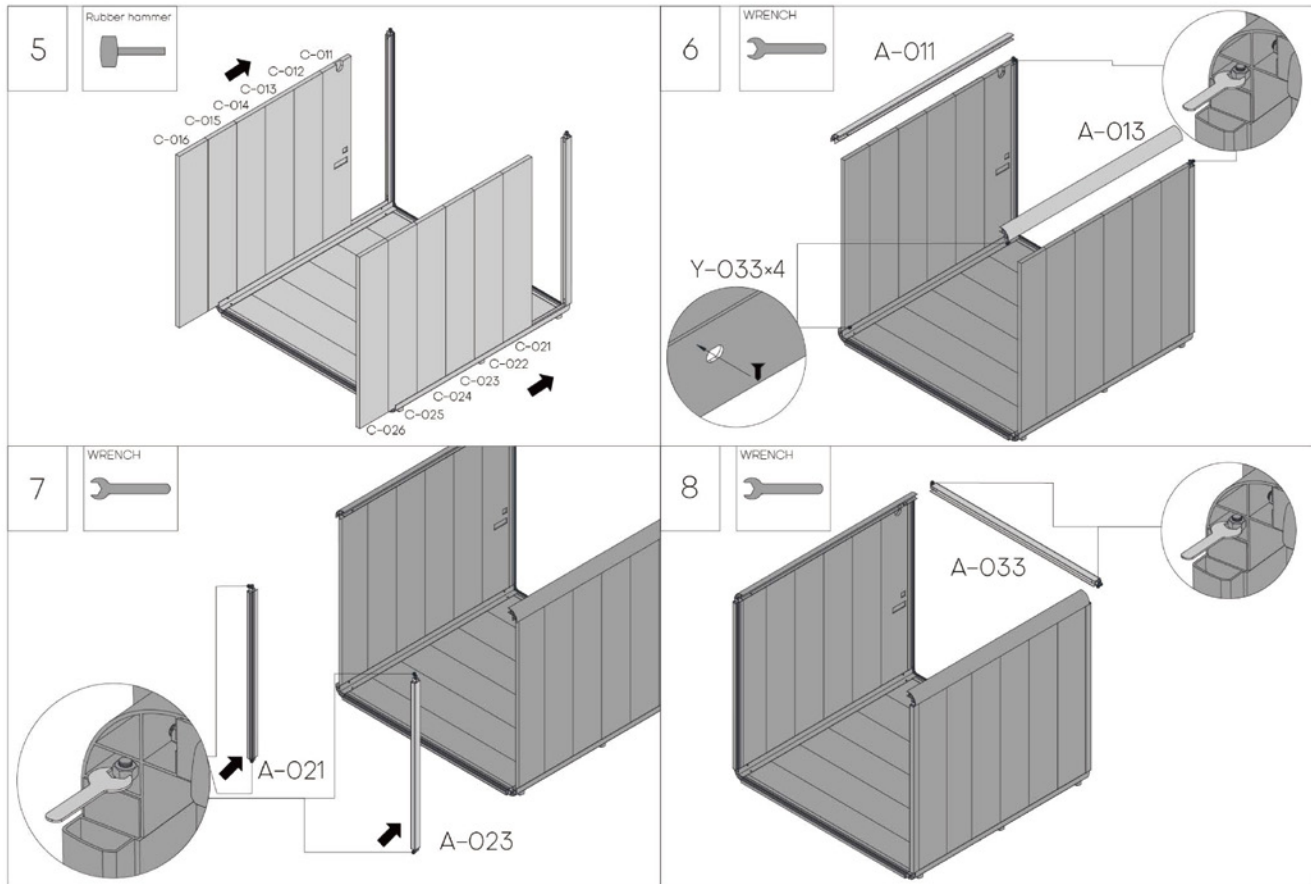
# III INSTALLATION INSTRUCTION

## 3.3 Booth installation

VER. 2310CN




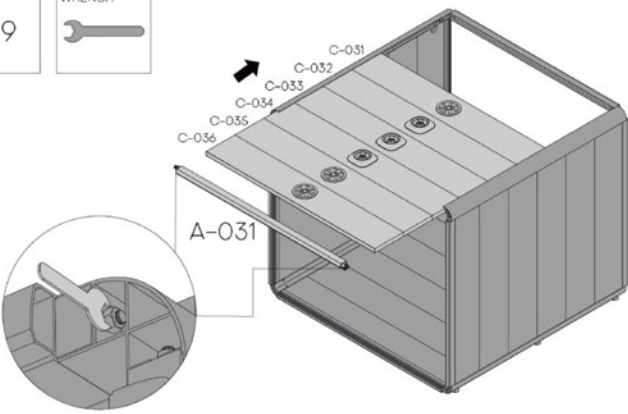
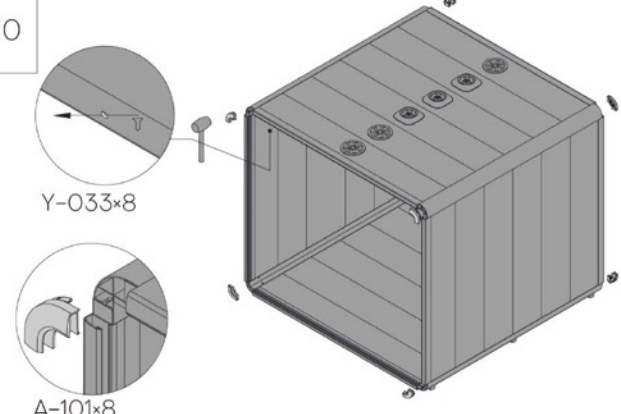

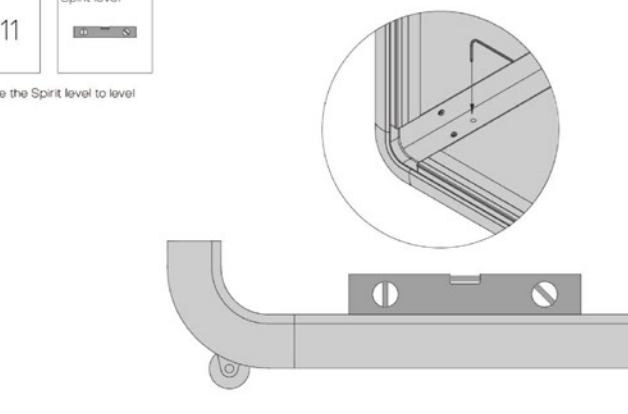

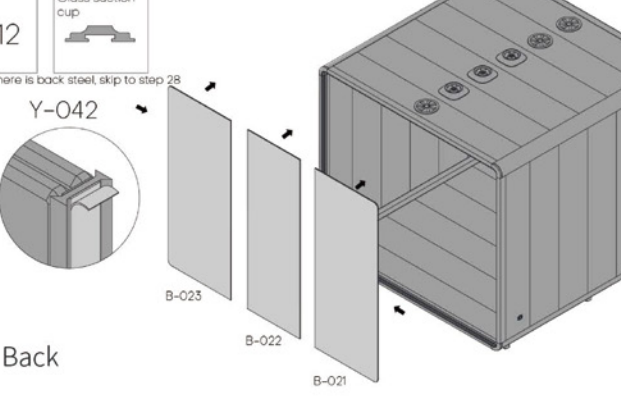
## 3.3 Booth installation



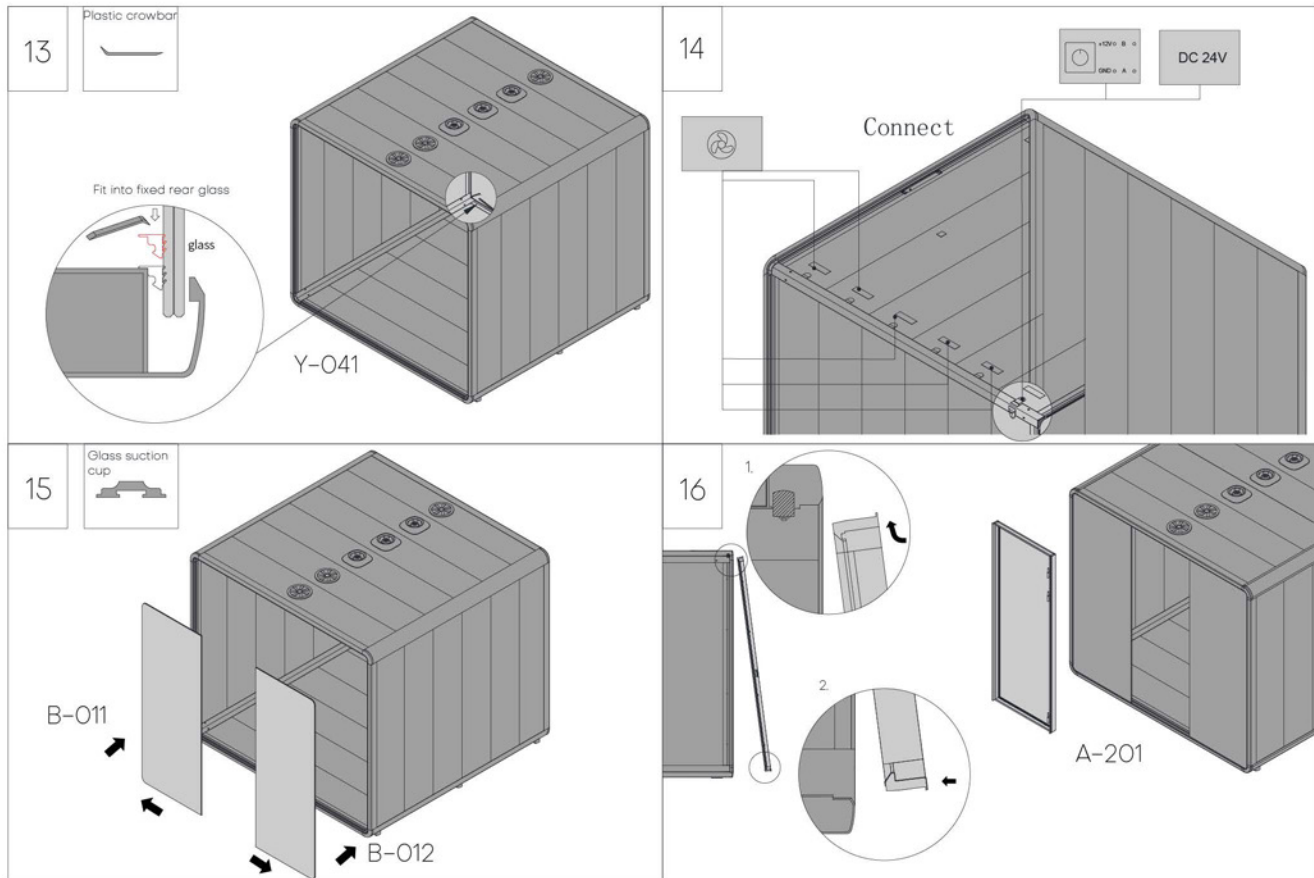
# III INSTALLATION INSTRUCTION

## 3.3 Booth installation

VER. 2310CN

<p>9</p> <p>WRENCH</p>  <p>C-031 C-032 C-033 C-034 C-035</p> <p>A-031</p> 	<p>10</p>  <p>Y-033x8</p> <p>A-101x8</p>
<p>11</p> <p>Spirit level</p>  <p>Use the Spirit level to level</p> 	<p>12</p> <p>Glass suction cup</p>  <p>If there is back steel, skip to step 28</p> <p>Y-042</p>  <p>Back</p> <p>B-023 B-022 B-021</p>

## 3.3 Booth installation



# III INSTALLATION INSTRUCTION

## 3.3 Booth installation

VER. 2310CN

**17** Allen wrench Plastic crowbar

Y-032x4  
Y-041  
glass

**18**

Tip:  
If there are openings on the side panels,  
install the furniture first.

D-011  
D-012  
D-031  
D-032  
D-021  
D-022  
D-040


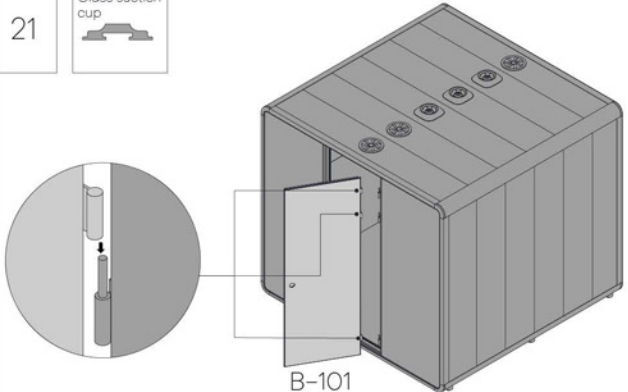

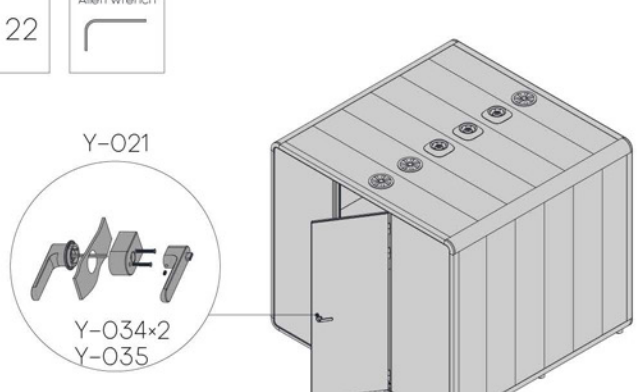
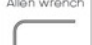
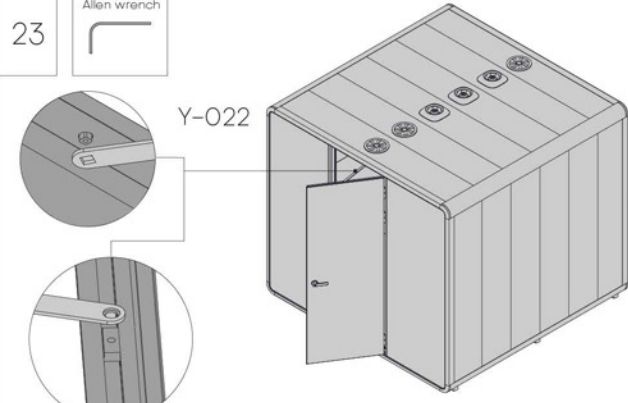
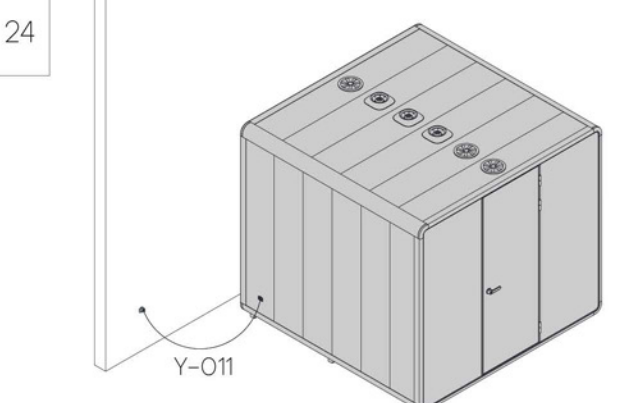
**19**

Y-013  
Y-031  
Y-012  
Y-031

**20**

Y-014  
Y-015

## 3.3 Booth installation

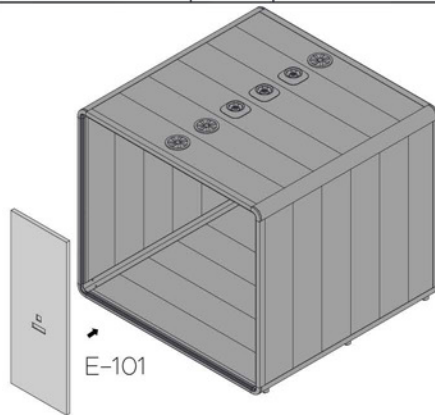
<p>21</p>	<p>Glass suction cup</p> 	 <p>B-101</p>	<p>22</p>	<p>Allen wrench</p> 	 <p>Y-021</p> <p>Y-034x2 Y-035</p>
<p>23</p>	<p>Allen wrench</p> 	 <p>Y-022</p>	<p>24</p>	 <p>Y-011</p>	

## 3.3 Booth installation

### E-000 Optional Back Pilaster Assembly

Code	Descr.	Qty.	Preview
E-001	Back Pilaster Frame	1	
E-101	Back Pilaster Panel	1	
E-201	Back Pilaster Frame Edge Cover	4	

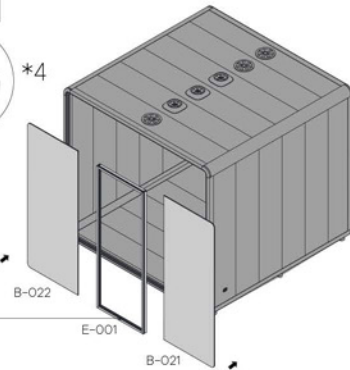
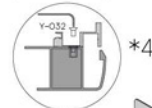
26



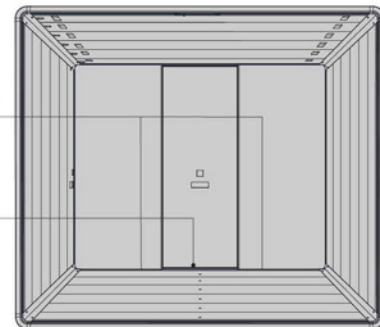
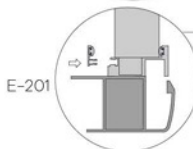
25



back

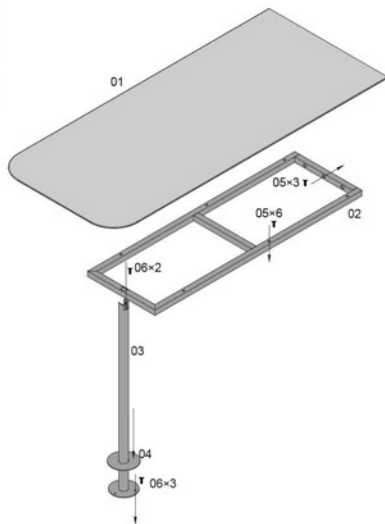


27

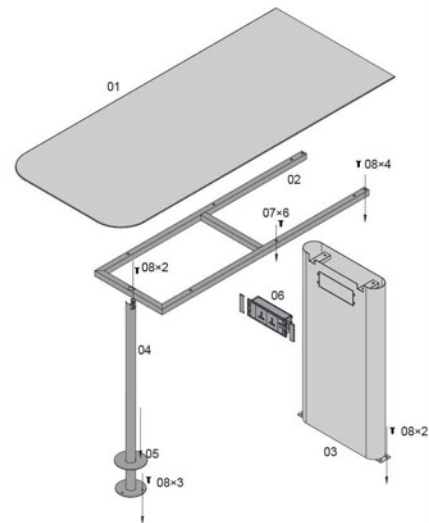


## 3.4 Integrated furniture installation

Wall-mounted Table		
01	Tabletop	1
02	Tabletop Support Frame	1
03	Front Pillar	1
04	Flange Cover	1
05	M5*40Hex Cap Screw	11
06	M5*40Hex Cap Screw	5



Conference Table		
01	Tabletop	1
02	Tabletop Support Frame	1
03	Rear Support Bracket	1
04	Front Pillar	1
05	Flange Cover	1
06	Power Socket	1
07	M6*40Hex Cap Screw	6
08	M5*40Hex Cap Screw	7



## III INSTALLATION INSTRUCTION

### 3.5 Check list

Please check the installed products according to the following list to ensure their quality and safety:

- All screws have been tightened according to instructions;
- The cabin is leveled to be balanced;
- The gap around the door is even;
- When the door is closed, the rubber seal between the door and the frame is firmly contacted;
- All seal strips are installed in place;
- For cabins with castors, make sure the level feet is touch the ground.
- The socket panel is able to supply power;
- The lighting and ventilation system can be opened, closed and adjusted;
- There is airflow entering from the ventilation grille, and the fan operates well with smooth sound;
- The door handle can be opened and locked.
- All furniture has been installed securely according to instructions.

## 3.6 Trouble shooting

### > Only part of ventilation grilles have airflow goes in?

- Some of the outlets in the booth are for air outtaking. Please refer to the positioning of different fans in the product specifications to confirm the intake;
- If it is confirmed that there is no airflow from the intaking grilles, please check the working status of fans on top, if the fan is not working, please contact the after-sales personnel.

### > Power socket is not working?

- Check whether the external socket switch is lit up, if not, it means that there is no power supply from the outside or the fuse has blown out;
- If the external outlet switch is lit up, please check the USB socket of the outlet, if the green light is lit up, it means that power is being supplied, if the light is not on, please check the wiring behind the socket;
- If you have tried all above steps and still cannot solve the problem, please contact the after-sales personnel for assistance.

### > Power socket is working but not the fan/lamp ?

- Check whether all wire terminals are well embraced and if there are any terminal in loosen with wire;
- Open the Maintenance door on top board and observe if the PLC indicator light is red. If red light shows, disconnect the external power source and connect again;
- If you have tried all above steps and still cannot solve the problem, please contact the after-sales personnel for assistance.

### > The door does not close properly?

- Confirm if there are any obstructions around the edge of the door;
- Confirm if there are uneven gaps around the door edges and if the lower left corner of the door engages with the door thread, if so, adjust the level feet till the gap around the door is even;
- Use the H2.5 allen wrench to adjust the door closer.

### > Interior wall panel edges not aligned properly?

- Put small amounts of material under the bottom side of the panel to level.

## 4.1 Maintenance guide

### Maintenance Steps

1. Unplug the power cord;
2. Check if the booth is in leveled status;
3. Check if the door gaps is even;
4. Check if there is foreign object in the top fan area, remove the fan cover for cleaning;
5. Remove the furniture from the booth;
6. Use a vacuum cleaner to clean the air duct from the ventilation grille;
7. Clean all parts of the booth including desktop, carpet, inner glass, wall surface, power socket, and control panel;
8. Clean all furniture that was moved outside, then move them back in;
9. Wipe clean the exterior appearance of the cabin;
10. After confirming no water residue around all electrical equipment locations, reconnect the power cord and check if all functions are well operating.

### ATTENTION

1. Conduct a comprehensive maintenance at least once a month to avoid accumulation of grime.
2. Before wiping, please ensure that the surface of the wipe tool is free of sharp debris to prevent scratches. Dust-free cloths is recommended to use for wiping glass.
3. Please avoid using corrosive detergent for all fabric surfaces.
4. If using uncommon cleaning product, please test them in an insignificant area of the booth first to ensure it is not damaging surfaces.
5. Since the booth is a closed space, please do not use cleaning products with strong smell to prevent lingering odors causing discomfort.