

SUNLINE

Sliding Door

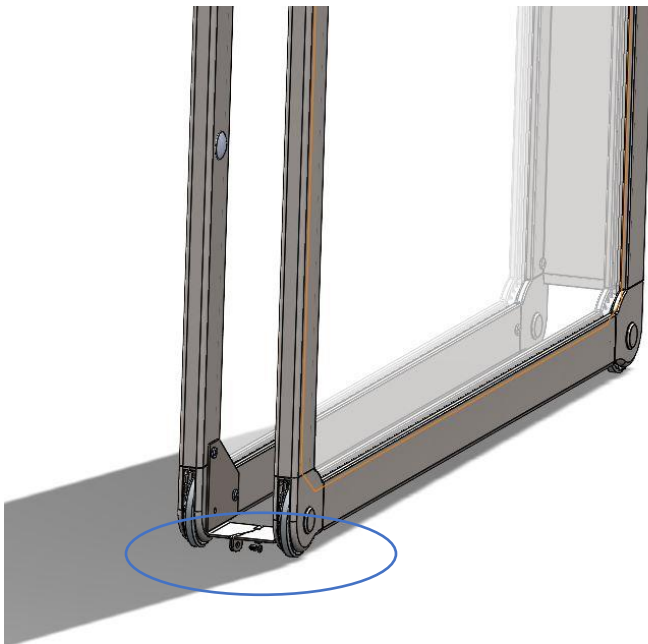
Step by Step Instructions

1. The door should be installed before putting the 600 mm wing wall:

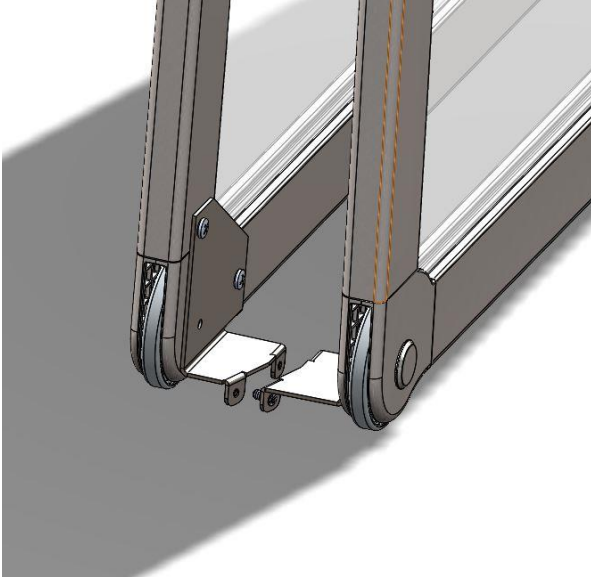


Before installing the sliding door, use (4) self tapping screws (1.5") to attach the end post to the panels

2. There are two screws in the bottom of the door that connects each side of the door with two brackets. You should unscrew them before sliding the door in.



3. In the next step, after you unscrewed those two screws, you can slide in the door on the wing panel. Before doing that, make sure the screw on the outside is on one of the brackets but it's not connecting two brackets. This makes the last step easier.



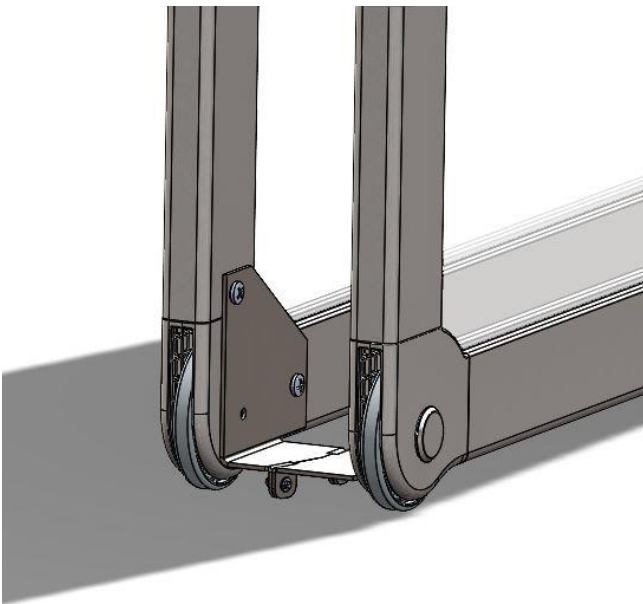
4. Slide the door on the wing panel.



5. There is a slide connected to the door on top on one side, and on the other side, you should connect it to the glass panel on the wing panel. The screws that you use should be short. Please make sure that the screw doesn't hit the glass that breaks it. Screw that diagonally to the aluminum. **We typically try to make the top panel in this location a fabric panel.



6. Connect two brackets of the door under the panel with one of the screws you already kept on one of the brackets.



If more info is needed,
please reach out to your
Project Manager and we
will connect you with our
Product Specialist.