

SUNLINE

SPECIFICATION GUIDE



TABLE-OF-CONTENTS

TABLE OF CONTENTS	-----	2
SUNLINE SIGNATURE	-----	3
SUNLINE SIGNATURE ELECTRIC	-----	18
UNIVERSAL ACCESSORIES	-----	38
SUNLINE SIGNATURE ACCESSORIES	-----	47
SUNLINE SELECT	-----	55
SUNLINE SELECT ELECTRIC	-----	62
SUNLINE SELECT ACCESSORIES	-----	76
SUNLINE SEATING	-----	86
FREQUENTLY ASKED QUESTIONS	-----	93

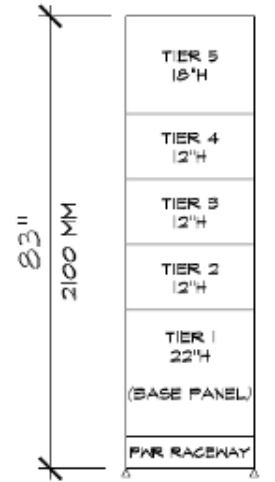
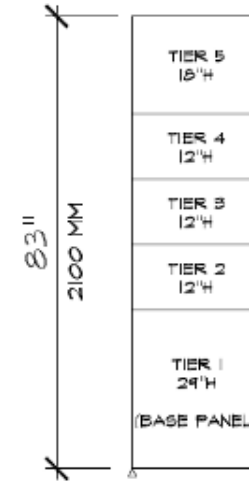
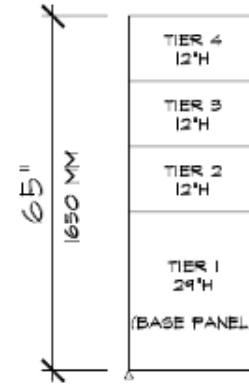
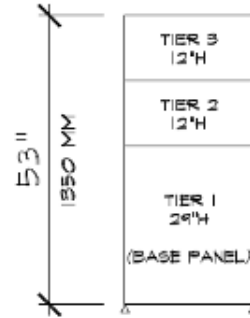
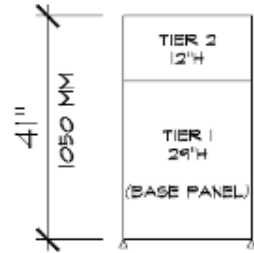


SUNLINE SIGNATURE

WORKSTATION HEIGHTS & WIDTHS

HEIGHTS:

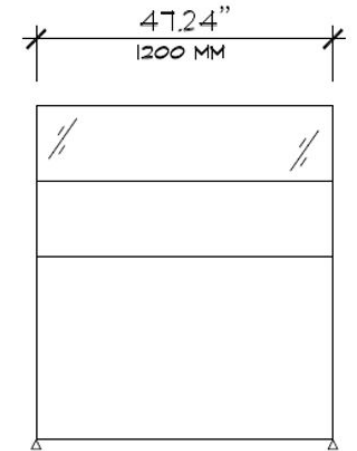
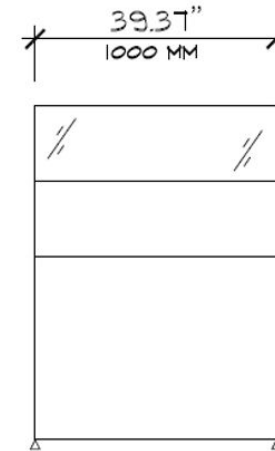
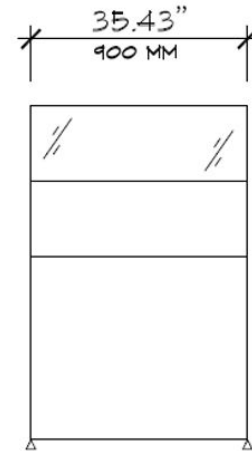
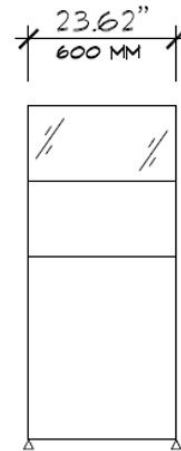
- ➔ 1050 mm (41 in)
- ➔ 1350 mm (53 in)
- ➔ 1650 mm (65 in)
- ➔ 2100 mm (83 in)



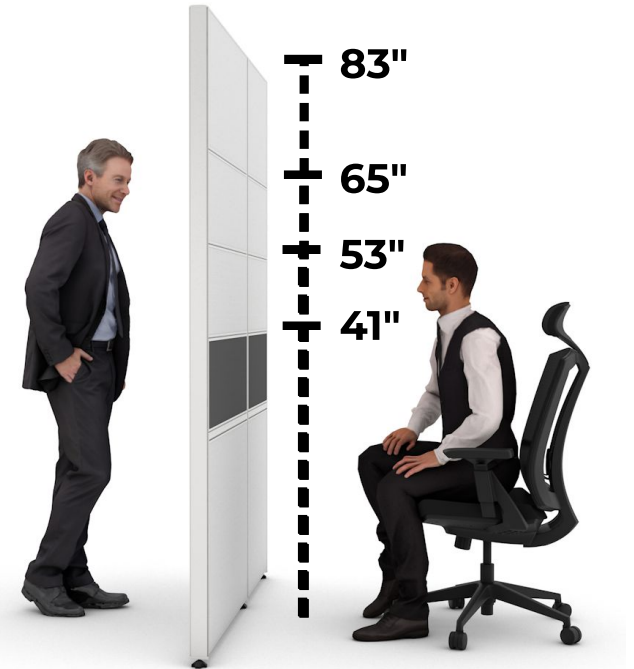
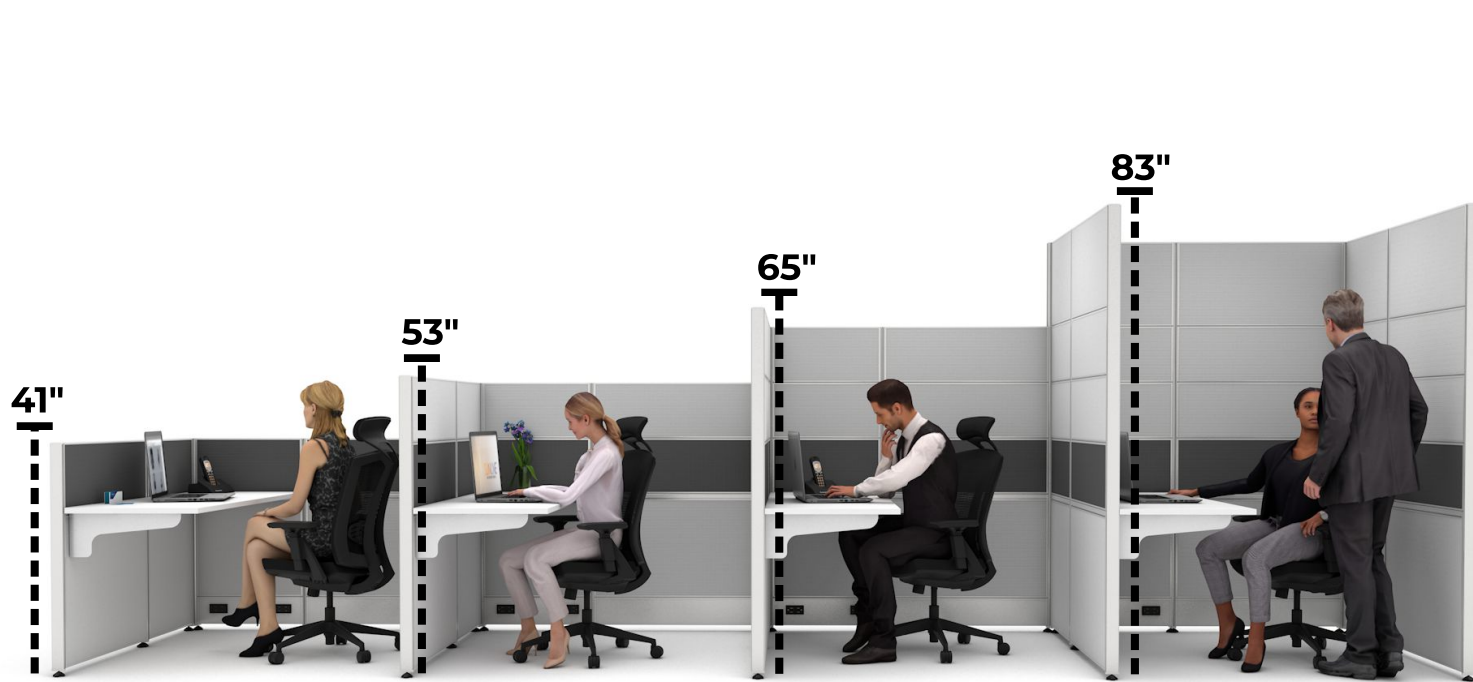
* Other heights available depending on ceiling height

WIDTHS:

- ➔ 600 mm (2 ft)
- ➔ 900 mm (2.9 ft)
- ➔ 1000 mm (3.3 ft)
- ➔ 1200 mm (4 ft)

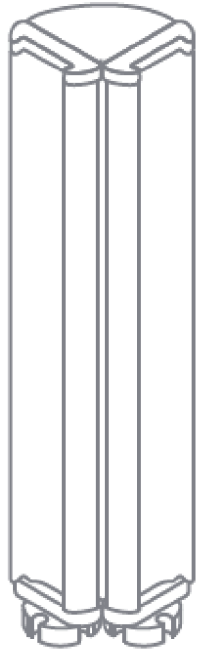


WORKSTATION HEIGHTS



average male height: 5'9" (69")
average female height: 5'4" (64")

ANODIZED ALUMINUM CONNECTOR POSTS



L-Shaped Post

Connects two panels
at 90° angle



T-Shaped Post

Connects three panels
at 90° angle



X-Shaped Post

Connects four panels
at 90° angle



I-Shaped Post

Connects two panels
at 180° angle



End Post

Is placed on the end of a
panel that does not connect
to another panel

WORKSTATION COMMON PARTS

Horizontal Track
A track where cantilevers and small brackets clip into the panel to support work surfaces. This should always be at work surface height.

Glass Panel
A 12" glass panel that can stack on top of other panels.

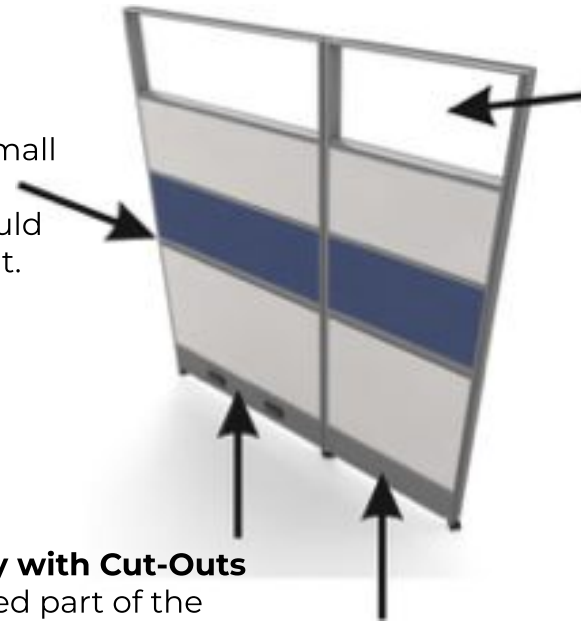
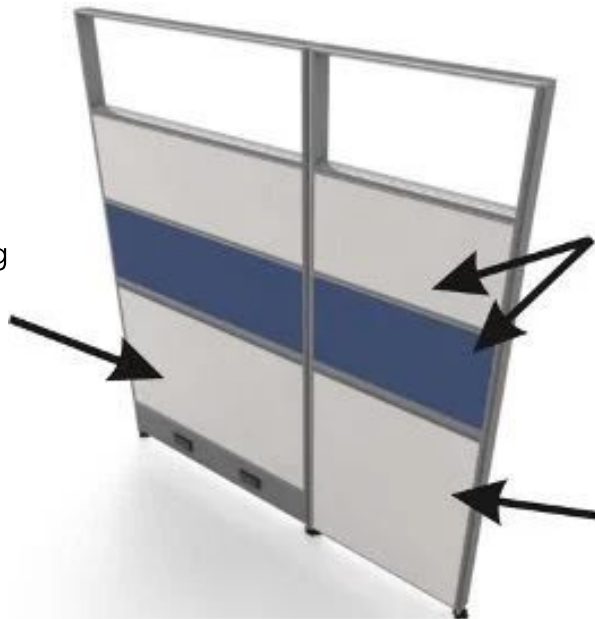
Raceway with Cut-Outs
A powered part of the panel where outlets are accessible to the user.

Raceway without Cut-Outs
A powered part of the panel without accessible outlets to the user, usually used to connect power between panels.

Base Panel - With Raceway
A panel that has power running through it, and has the horizontal track to connect to work surface.

Accent Panel
A 12" panel that is placed on top of the base panel.

Base Panel - To The Floor
A panel that does not have power running through it, but has the horizontal track to connect to work surface.



WORKSTATION COMMON PARTS



Cantilever

Hooks into panels and is screwed underneath work surfaces for support, typically spans two panels and two surfaces.



Small Bracket

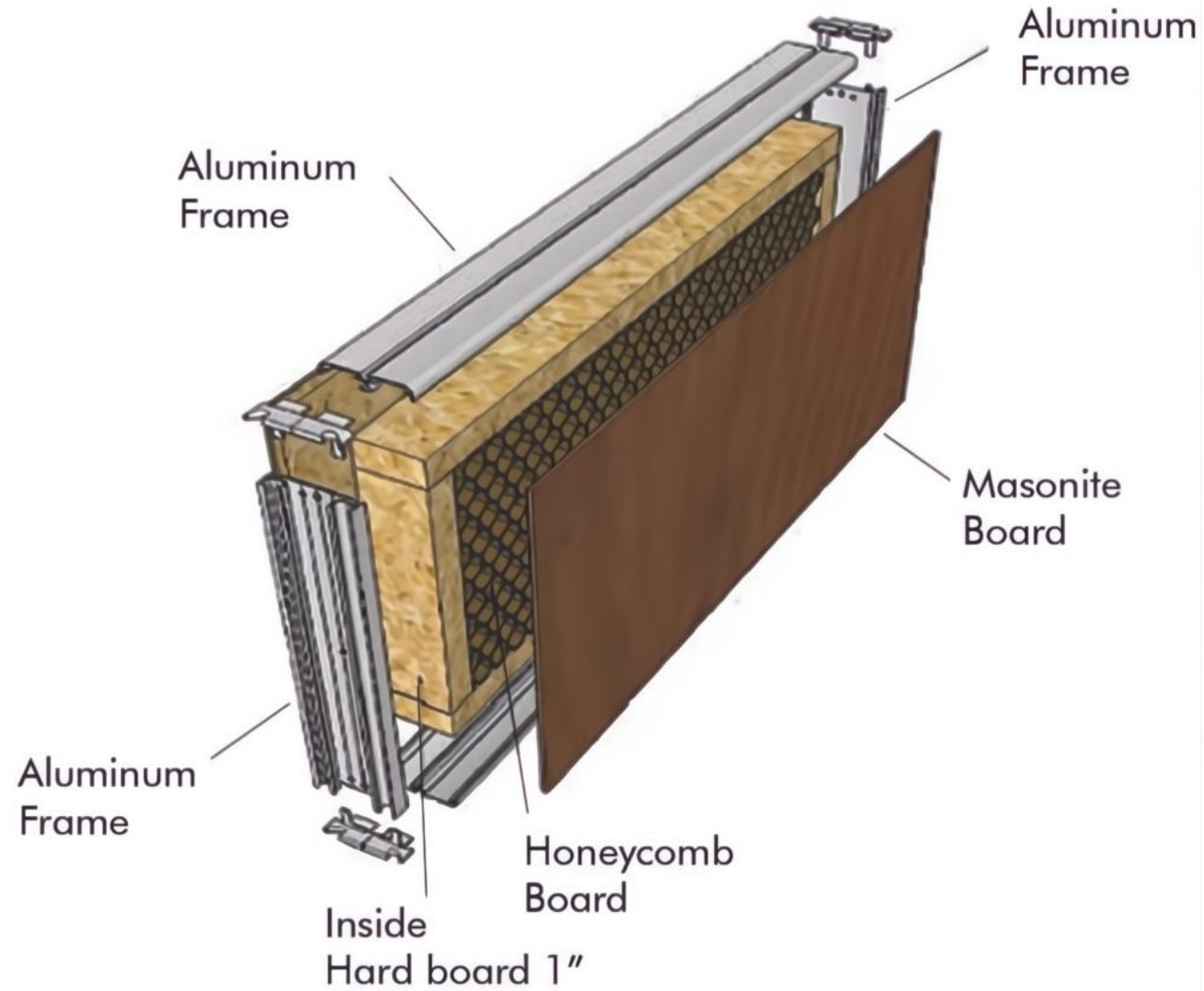
Hooks into panels and is screwed underneath work surface for support.



Flat Plate

Is screwed underneath two work surfaces for support, usually in front of cantilever.

WORKSTATION PANEL COMPOSITION



WORKSTATION

PANEL COMPOSITION

PANEL MATERIAL COMPOSITION / MSDS Material Safety Data Sheet

#	Raw Material	Level	Formaldehyde Content	VOC
1	MDF	E0	≤0.5mg/L	/
2	Particle Board	E0	≤0.5mg/L	/
3	Honeycomb Paper	/	/	/
4	Glue	/	≤1.0g/kg	≤110g/L
5	Fabric	C	≤300mg/kg	/
6	Steel	/	/	/
7	Glass	/	/	/
8	Aluminum	/	/	/

CONVERSIONS

MILLIMETERS TO INCHES

ITEM	D	MM	=	IN
Panels	W	600	=	23.62
Panels	W	900	=	35.43
Panels	W	1000	=	39.37
Panels	W	1200	=	47.24
Panels	H	300	=	11.81
Panels	H	450	=	17.72
Panels	H	560	=	22.05
Panels	H	710	=	27.96
Post	H	1050	=	41.34
Post	H	1350	=	53.15
Post	H	1650	=	64.96
Post	H	2100	=	82.68

RELEVANT SIZES

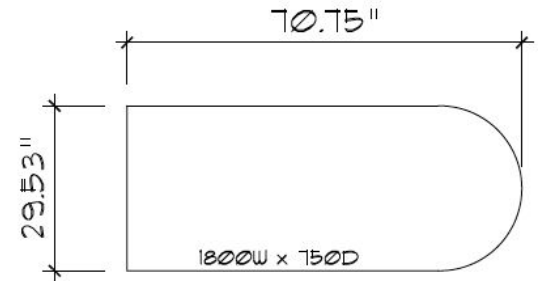
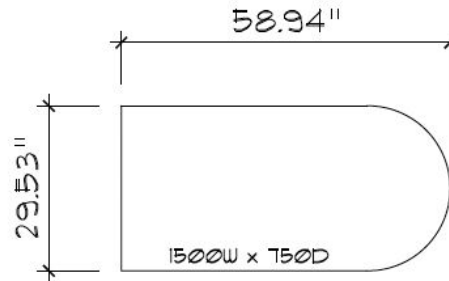
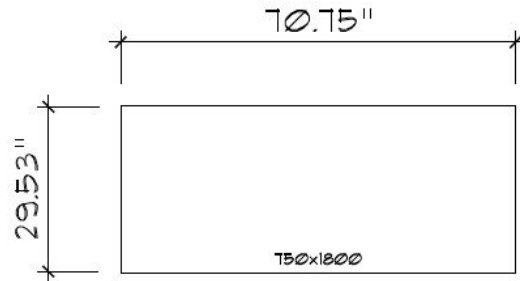
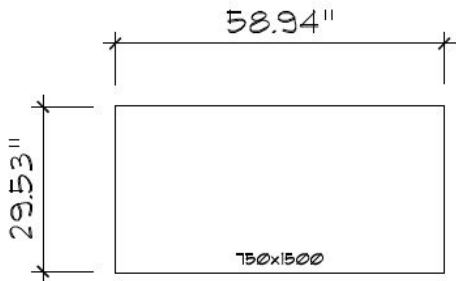
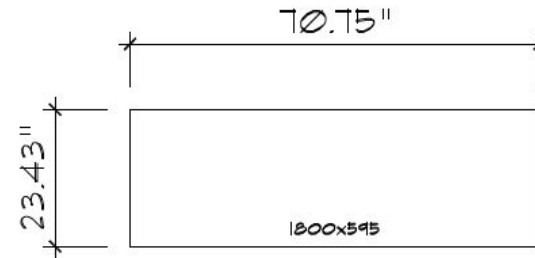
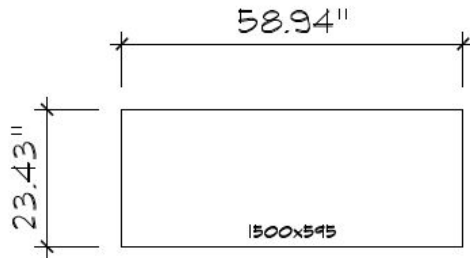
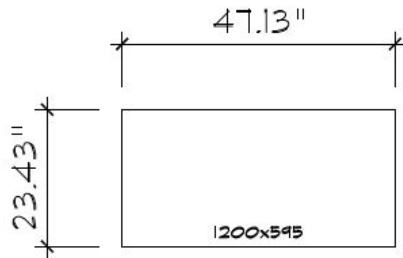
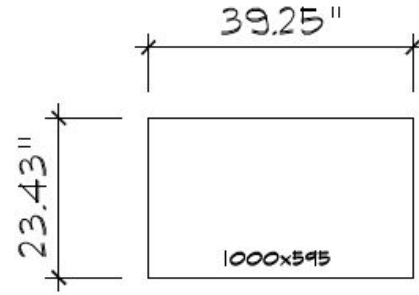
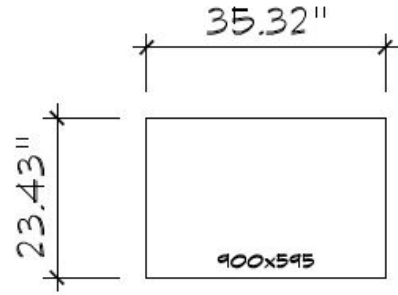
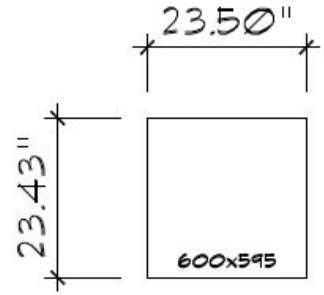
MILLIMETERS TO INCHES CONVERSION

25.4 mms = 1 inch

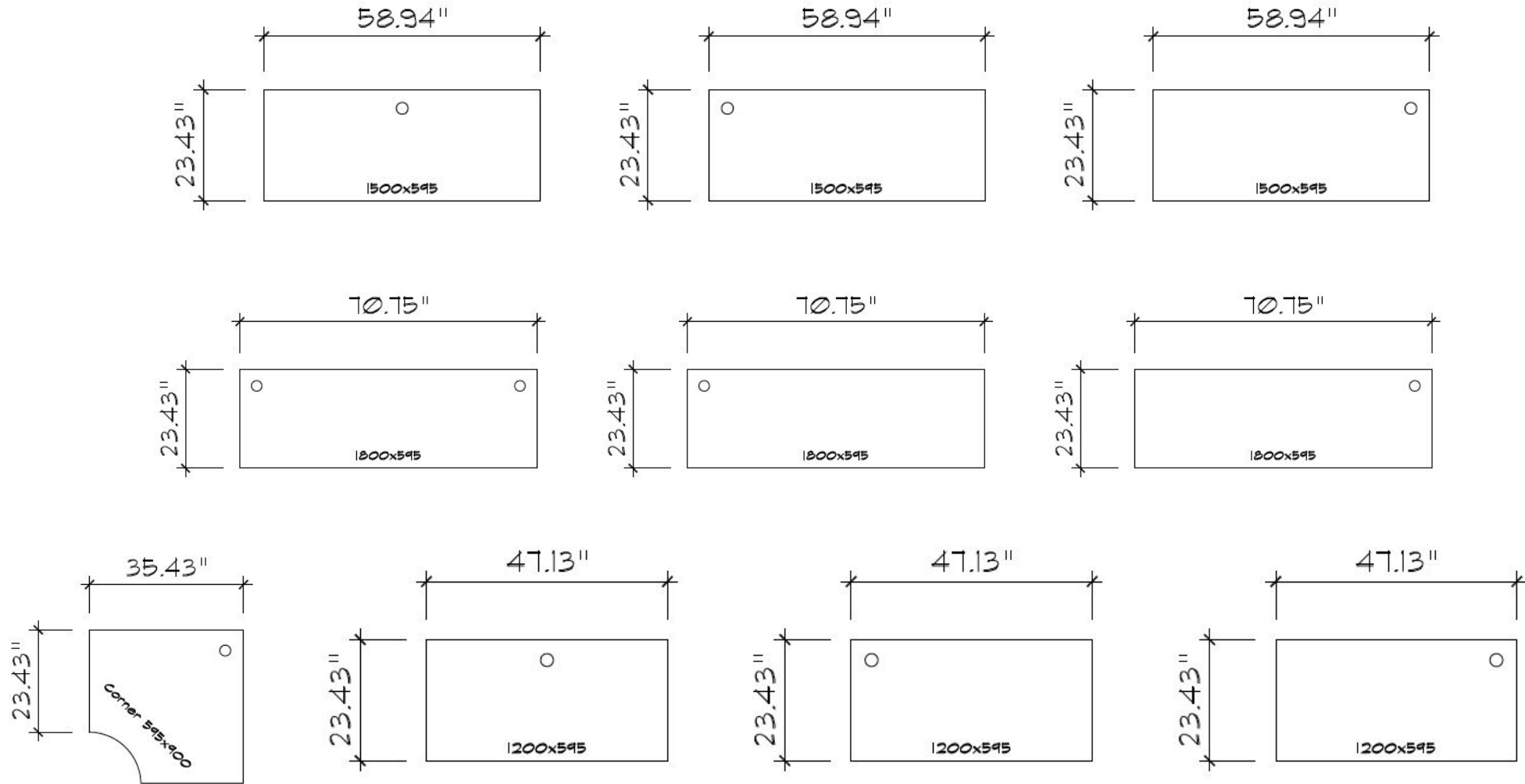
ITEM	D	MM	=	IN
Surfaces	W	597	=	23.50
Surfaces	W	850	=	33.46
Surfaces	W	897	=	35.32
Surfaces	W	997	=	39.25
Surfaces	W	1197	=	47.13
Surfaces	W	1425 *	=	56.10
Surfaces	W	1497	=	58.94
Surfaces	W	1725 *	=	67.91
Surfaces	W	1797	=	70.75
Surfaces	D	595	=	23.43
Surfaces	D	750	=	29.53

* Surface dimensions for Sit-Stand Base

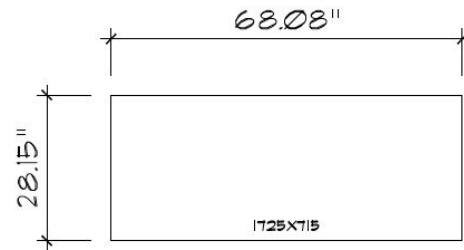
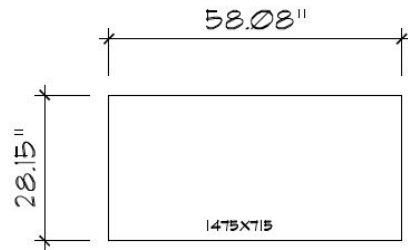
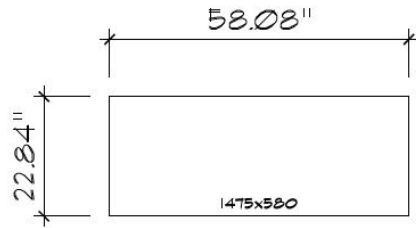
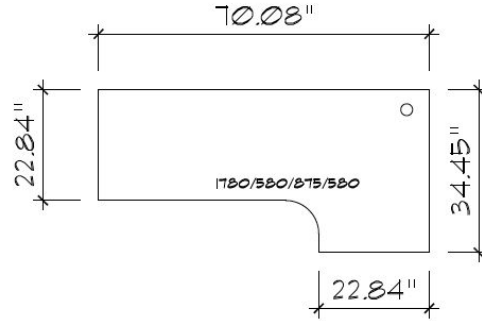
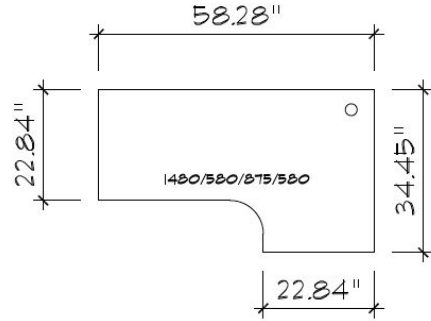
WORKSURFACE OPTIONS WITHOUT GROMMETS



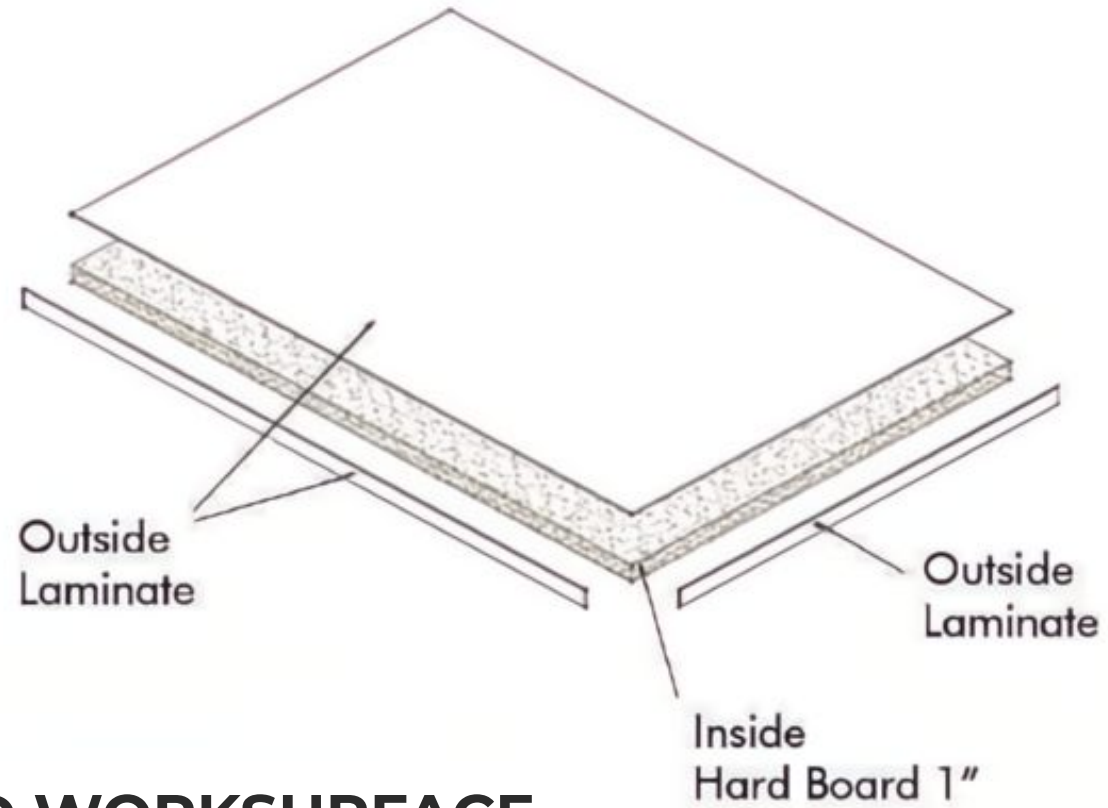
WORKSURFACE OPTIONS WITH GROMMETS



WORKSURFACE OPTIONS FOR SIT-STAND DESKS



WORKSURFACE COMPOSITION



EXPLODED WORKSURFACE
(not to scale)

WORKSTATION PANEL OPTIONS

IN-STOCK OPTIONS



BY20 - Grey

Accent / Base



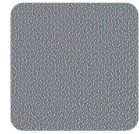
BY22 - Charcoal

Accent / Base



BY25 - Blue

Accent



Medium Grey

Accent



Gold Rush

Accent



Pumpkin

Accent



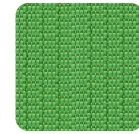
BY01 - Orange

Accent



BY - Red

Accent



BY - OnGreen

Accent

FACTORY ORDER OPTIONS



P - BL30
Blue



P - BL31
Sky Blue



P - BL32
Silver Grey



P - BL33
Slate Grey



P - BL35
Orange Red



P - BY02
Violet



P - BY21
Blue Grey



P - BY23
Ivory Yellow



P - BY24
Blue Green



P - TM02
Green



P - TM01
Yellow



P - BY27
Army Green



P - BL36
Grass Green



P - BL41
Lime



P - BL44
Green



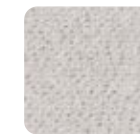
P - BL45
Burgundy



P - TM09
Light Coffee



P - BB01



P - BB02



P - KM30
Green



P - TM06
Blue



P - KM33
Silver Grey

WORKSTATION SURFACE OPTIONS

IN-STOCK OPTIONS



White



Walnut



Grey Fog



Storm Grey

FACTORY ORDER OPTIONS



XD - 1001
Grey



XD - 1004
Black



XD - 1009
White



XD - 1014
Teak



XD - 1016
Walnut



XD - 1020
Maple



XD - 1021
Fir



XD - 1022
Red Oak



XD - 1021
White Oak



XD - 1024
Engineered
Oak



XD - 1025
Black Oak



XD - 1026
Oak



XD - 1028
Red Walnut



XD - 1037
Buller Thorn
Plum



XD - 1040
North American
Walnut

ELECTRICAL SPECIFICATIONS

Common Parts



Power Module

Allows a panel to be powered through the raceway.



Festoon

Connects one power module to another power module via posts.



Pass Thru Jumper

Spans non powered panels to continue power to another panel.



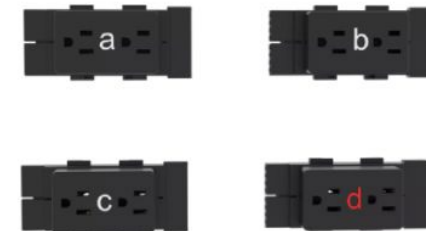
Base Feed

Connects the building's power from the wall or floor to the panels.



Ceiling Feed

Connects the building's power from the ceiling to the panels.



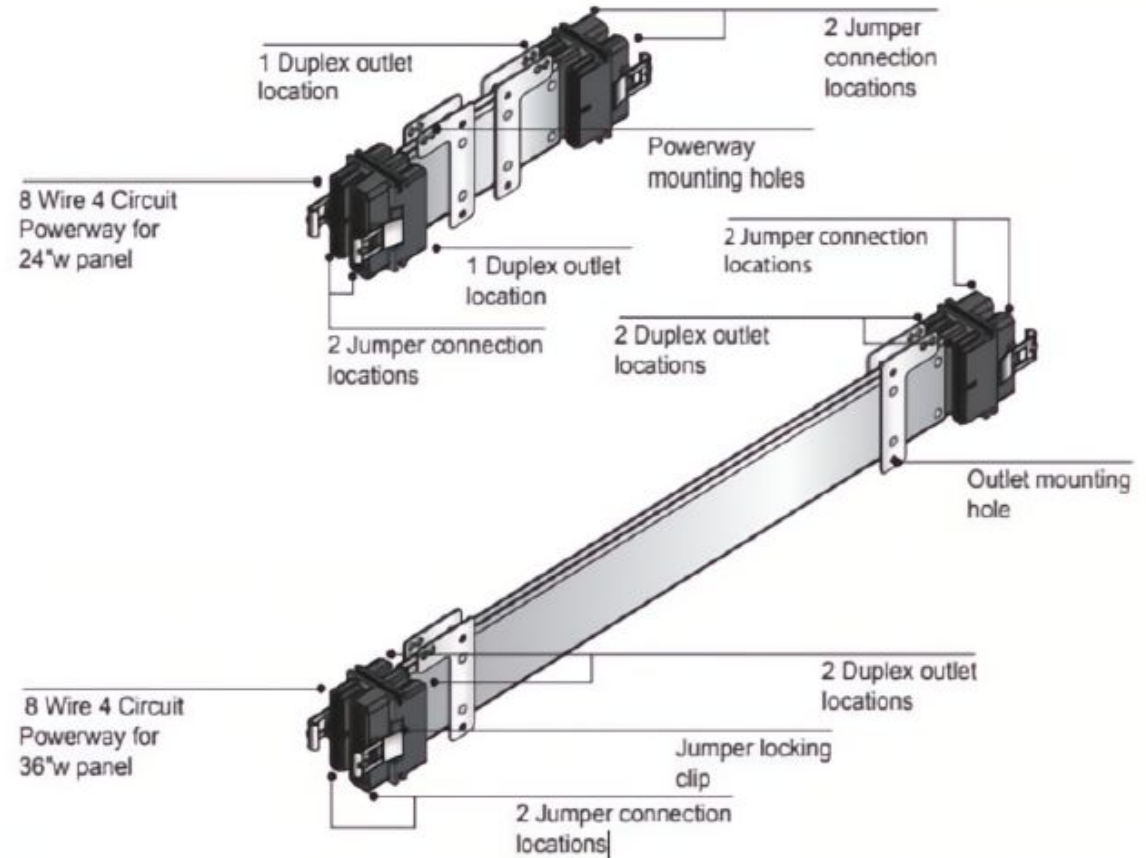
Receptacles

Outlets for cubicles.

ELECTRICAL SPECIFICATIONS

Power Modules provide electrical distribution and access for duplex outlets back to back. 24" wide panels can accept only one duplex outlet per side, two total back to back. All other panels can accept two per side, four total back to back. Power Modules "grow" in length with panels of greater width, making panel to panel connections a "standard" configuration and allowing for "pass through" connections. Each Power Module has locations for up to four jumpers, two at each end. Power Modules are included when ordering powered panels.

Duplex outlets are available on designated circuits 1 through 4. Each duplex outlet contains two single receptacles (places to plug into) of the same circuit and are specified separately from Power Module. All duplex outlets have black faces. The lettering on outlets for Circuit 1, 2, and 3 is white. The lettering on outlets for Circuit 4 is orange. Outlets snap into the Power Module. Duplex outlets are standard 15 amp outlets.

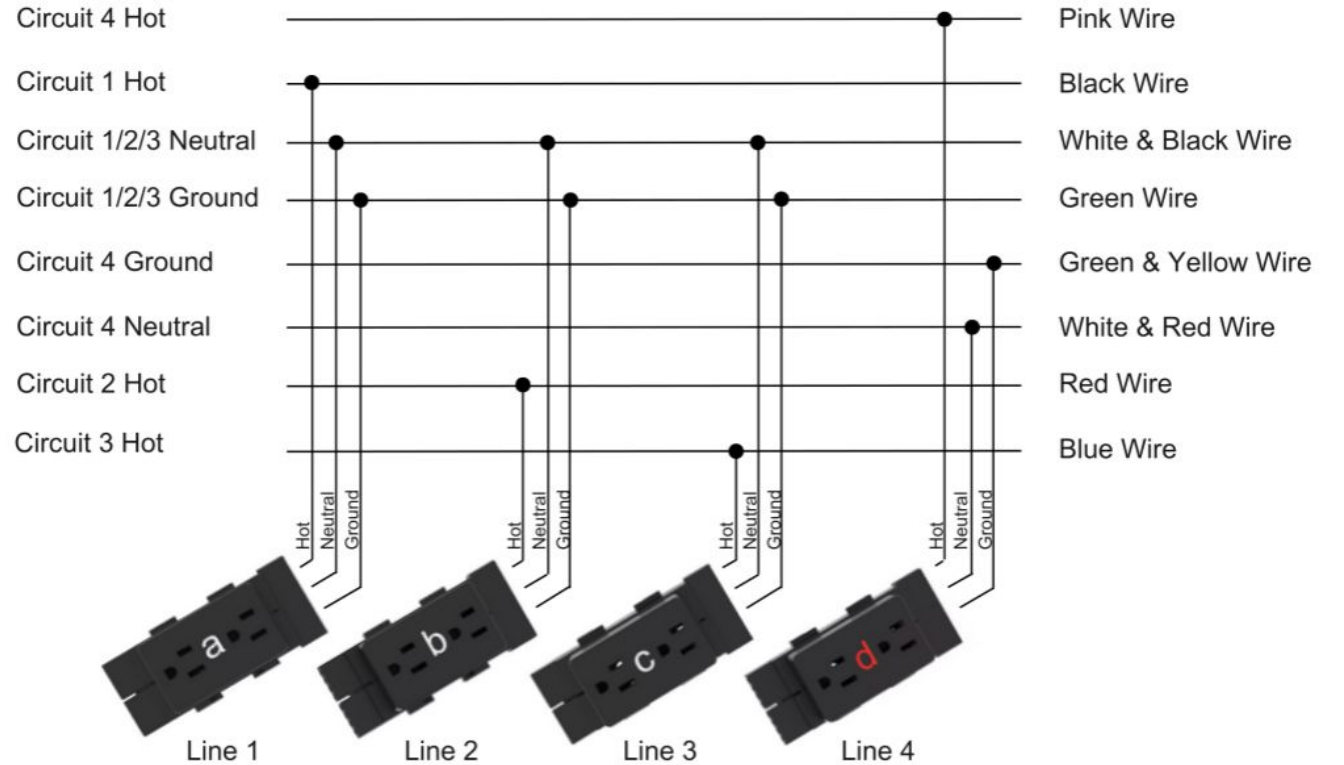


*Powerway = Power Module on graphic

ELECTRICAL SPECIFICATIONS

8 Wire 4 Circuit electrical system contains four circuits. Each circuit is rated at 15 amps/120 volts maximum. Circuit 1, Circuit 2, and Circuit 3 are served by a system neutral and an equipment ground. Circuit 4 is dedicated and is served by its own neutral and ground. Circuit and ground conductors are # A.G.W. (gauge).

All neutrals are #10 A.G.W. (gauge).



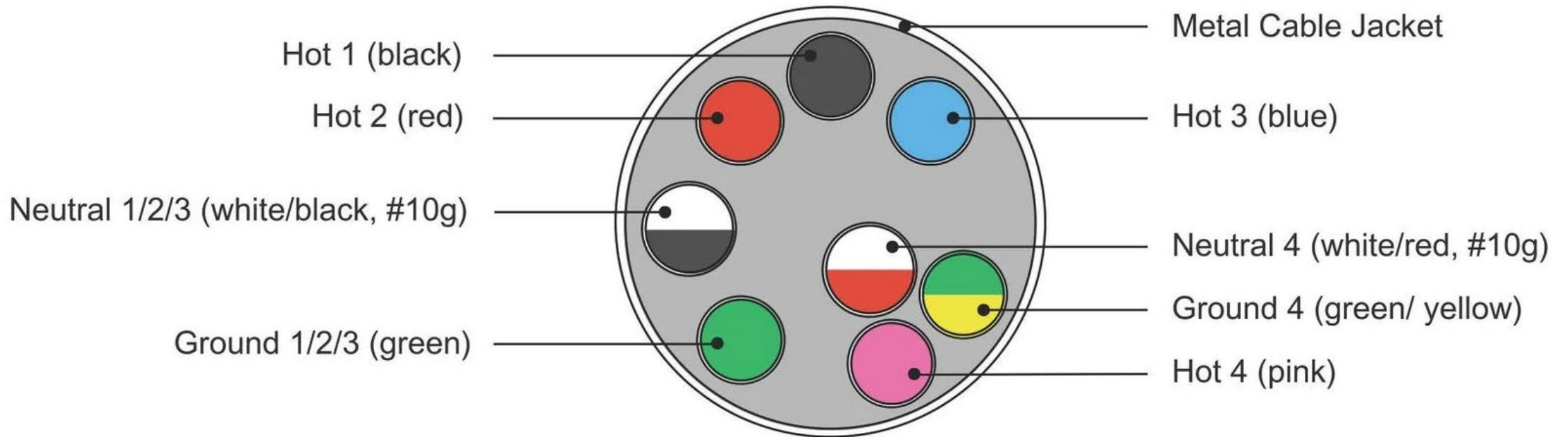
Note: Not all workstations contain all four duplexes. Refer to the project's electrical drawing for more details.

ELECTRICAL SPECIFICATIONS

Wiring Anatomy for Ceiling and Base Infeeds

Shown below is a cross section of the metal cable used for 8 Wire 4 Circuit ceiling and base infeeds.
 Circuit and ground conductors are #12 A.G.W. (gauge).
All Neutrals are #10 A.G.W. (gauge).

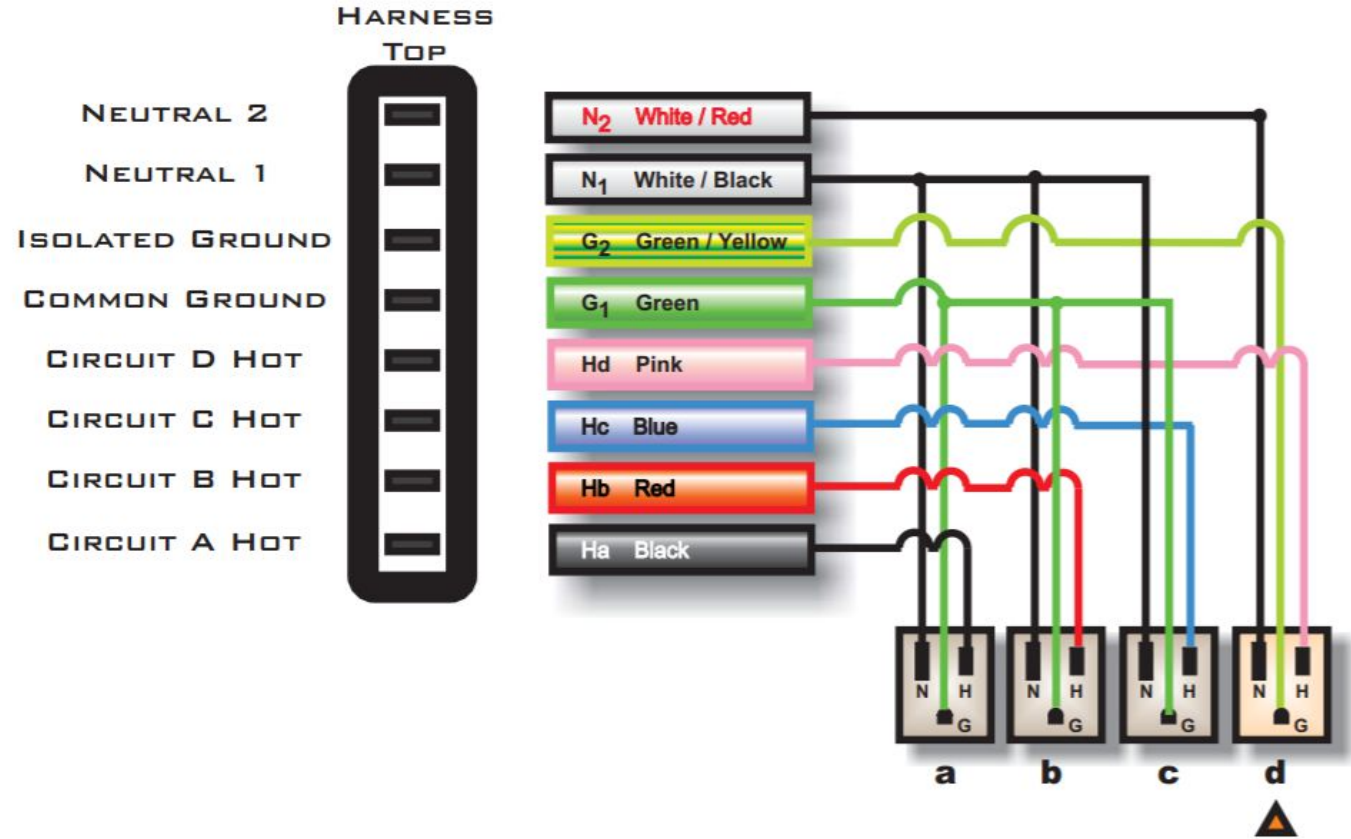
Cross Section 8 Wire 4 Circuit Cable



ELECTRICAL SPECIFICATIONS

This configuration includes 4 hot wires that correspond to circuits a, b, c, and d. Circuits a, b, and c are general circuits that share a common neutral and ground. Circuit d is considered an isolated circuit because it has its own grounding source and wire that is not shared with other equipment. Circuit d is also considered dedicated because it has its own neutral wire.

The purpose of having its own neutral and isolated ground is to prevent unwanted noise from other devices traveling through the system and potentially causing interruptions. Circuit d is typically reserved for computers. Because Circuit d has its own hot, neutral, and ground wires, it could have a separate source of power known as a UPS (Uninterrupted Power Source).



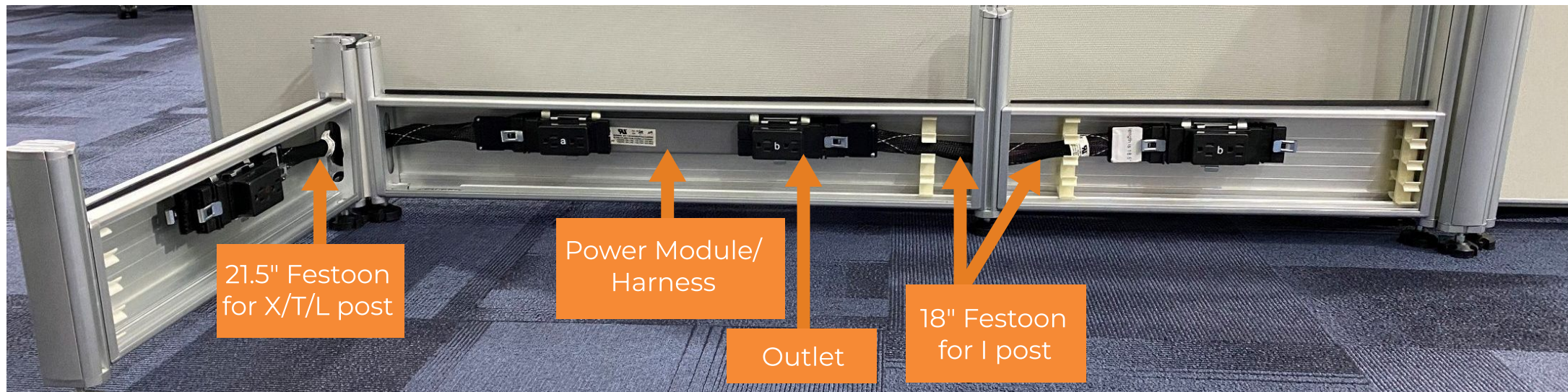
3 GENERAL PURPOSE + 1 ISOLATED CIRCUIT

ELECTRICAL SPECIFICATIONS

Typical Electrical Raceway (covered)



Typical Electrical Raceway (uncovered)



ELECTRICAL SPECIFICATIONS

Hiring an IT/Networking Team

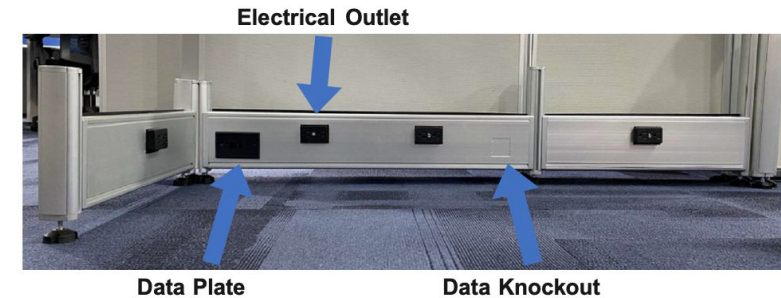
Every company has very specific requirements when it comes to data/networking. When you hire a networking contractor, they will pull lines from the server room and splice their wiring into the networking jacks that fit your needs. Some require one jack per face plate, some require multiple. If electrical and data are coming from the ceiling and are being supplied to more than three workstations, we recommend that each data drop has their own power pole, separate from the power poles used for electrical.

To the right is an example of what a lot of clients use as a data face plate. Your IT Group should supply the data face plate and hardware that works best for your needs. Our raceway covers are silver and our electrical receptacles are black.

The rectangular cutout is simply a "knockout" in the raceway cover at the base of the panels where your networking contractor can attach any size flush mount plate. This knockout will need to be punched out during install. Any size will work (larger than the knockout) and you can screw it right to the raceway cover.

Data Plate Specifications

Standard kickplates (for 900mm, 1000mm, 1200mm raceways) will have two knockouts/cutouts. The data knockout is 2x2 (50.8 mm) and 1 1/2" (38.1 mm) from the bottom of the kick plate.



Data Plate - outside view



Data Plate - inside view



ELECTRICAL SPECIFICATIONS

Ceiling Infeeds

Power can be brought from the ceiling down to the workstations via a power pole. This plastic pole slides 6" down into the post (t-post or x-post) of the workstations panels, and can power up to eight workstations.

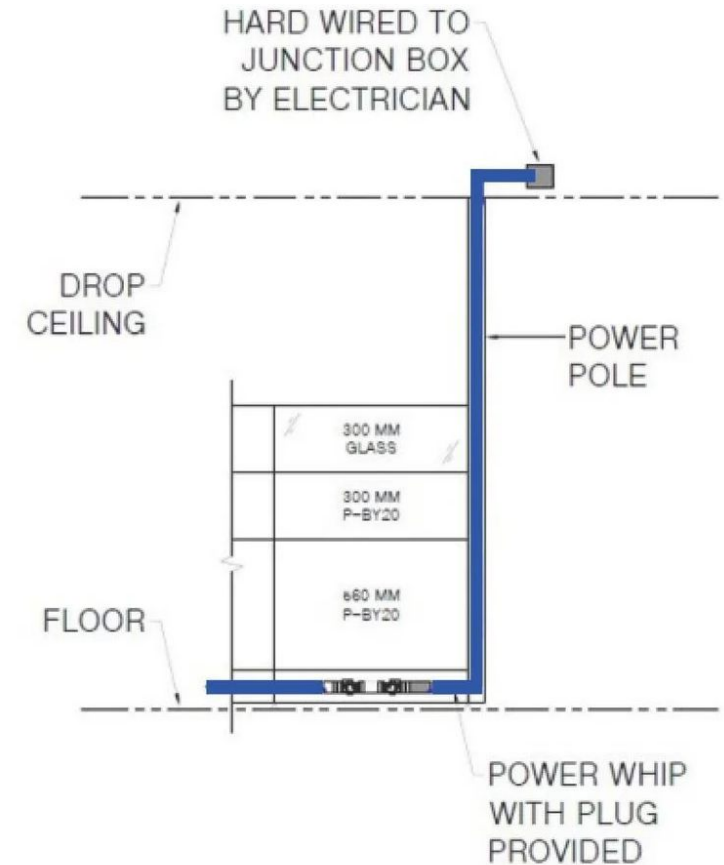
The standard height of the pole is 12', and it can be cut ahead of time if the ceiling height is known. If not, it can be cut in the field. The infeed inside of the power pole is 14' long, leaving 1' on either end to connect into the building's power and to the workstation power harness.

The first 4.5' of cabling within the power pole will be covered by metal flex casing. If the cabling needs to be protected up to the ceiling, you can ask your electrician to provide an M3 braided jacket, which can attach to the junction box. Your electrician would need to determine where the cut out in the ceiling should be located based on the location of the workstations.

If electrical and data are coming from the ceiling, we recommend that each data drop has their own power pole, separate from the power poles used for electrical.



Ceiling power pole when installed



Ceiling infeed diagram

ELECTRICAL SPECIFICATIONS

Base Infeeds for Walls & Floors

Power can be brought from the wall or the floor via a base infeed (also known as a whip). These infeeds are 6' long and can support up to eight workstations. One end of the infeed will plug into the workstation panels, while the other end will need to be hardwired into the building's power.

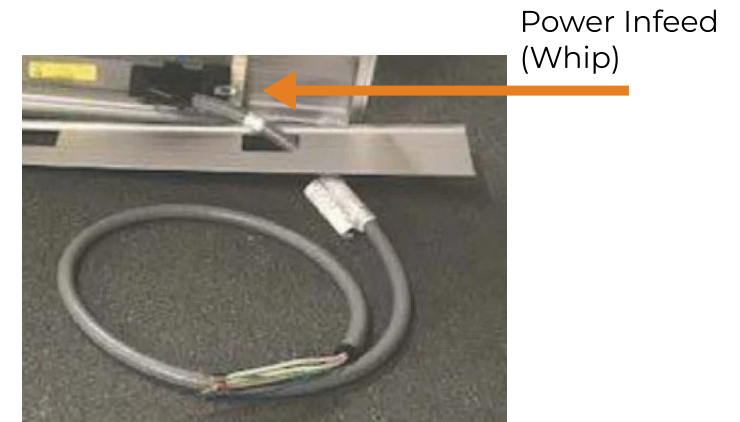
If infeeds are sent out prior to install to be used on the wall, please have your electrician install them with a 90 degree elbow and have the whip pointing towards the ground, as shown in the first image. The hardware for attaching an infeed to the floor or wall will need to be provided by your electrician.



Example of wall infeed



Example of floor infeed



Infeed connection inside of panel, with exposed wiring on other end to hardwire into wall or floor

ELECTRICAL SPECIFICATIONS

Base Power Infeed (left and right)

Also called wall infeed or power whip, base infeeds are connected by an electrician to a main electric line in the wall or floor, and into a power module that's mounted to a raceway, which begins the electric current all around raceways in the cubicle walls as long as they're connected through festoons/connectors, pass through jumpers, and/or other power modules. To be safe, one base infeed can power up to 8 cubicles.



Ceiling Power Infeed

Ceiling infeeds are connected by an electrician to the main electric line in the ceiling, down through a power pole, and around into a power module that's fastened to a raceway, which starts the electric current all around raceways as long as they're connected through festoons/connectors, pass through jumpers, and other power modules. To be safe, one ceiling infeed can power up to 8 cubicles.



Arrow is up and wire coming out on the left side indicates this is left infeed

ELECTRICAL SPECIFICATIONS

POWER MODULE

In 3 standard sizes – 23.62” (600mm raceway), 35.43” (900mm raceway), and 47.24” (1200mm raceway), power modules receive power from the base/wall infeed, ceiling infeed, or floor core infeed, to power receptacles (outlets) that clip in. Also available in 39.4” for 1000mm raceways.



RACEWAY

The raceway is typically the bottom-most “panel” and allows for electric to run into every cubicle requiring power. It typically comes in 3 sizes: 600mm*150mm, 900mm*150mm, 1200mm*150mm. Also 1000mm*150mm when a door is used.

Inside each raceway is either a power module that’s been mounted to the raceway, or a pass-through jumper that passes the electric from one power module to the next. A raceway is not used if neither a pass-through jumper runs through it, or there is no power module. Receptacles - aka outlets or duplexes - clip into power modules and through cut out holes in kickplates.

Raceways can also run above the work surface - called beltway power - but this is very uncommon since it means all the wires and cords would be out in the open.



ELECTRICAL SPECIFICATIONS

RECEPTACLES / POWER OUTLETS

There are 4 lettered designations of standard receptacles: A, B, C, D. Although there are slight differences in how each is wired internally, the letters are primarily reference points for the electrician to help him/her keep track of how to combine various receptacles of the same letter into one group of connections that all lead to their dedicated 15 amp breaker.

While each receptacle can draw up to 15 amps, typically each cubicle will draw 3-5 amps at any given point in the day - distributed into however many receptacles are being used and how users plug in their electronics (i.e. - computer in one receptacle, all other accessories in another).

Electricians should wire matching letters together to reach the breaker's 15 amp capacity (allowing up to 2.5 amps for each receptacle). If any one group of lettered receptacles (i.e. - all the A's) combines for more than 15 amps, then another infeed must be used.

Breaking it down further, if each letter uses 2.5 amps on average, then any one cluster can use up to 6 of that lettered receptacle (6 receptacles * 2.5 amps = 15amps). Which means, by evenly dispersing all 4 letters, the receptacles should be able to support up to a 12-pack of cubicles on one infeed plus 4 breakers.

Common Equipment Amperages:

- Personal Computer - 2.00 - 4.00
- Computer Monitor - .25 - .50
- Laser Printer - 4.50
- Desktop Plotter - 1.50
- Desk Fan - .50 - 1.00
- Desk Heater - 8.50 - 12.50
(Not recommended to use in cubicle)
- Task light - 1.00
- Fan - 1.00
- Paper Shredder - 4.00 - 12.00



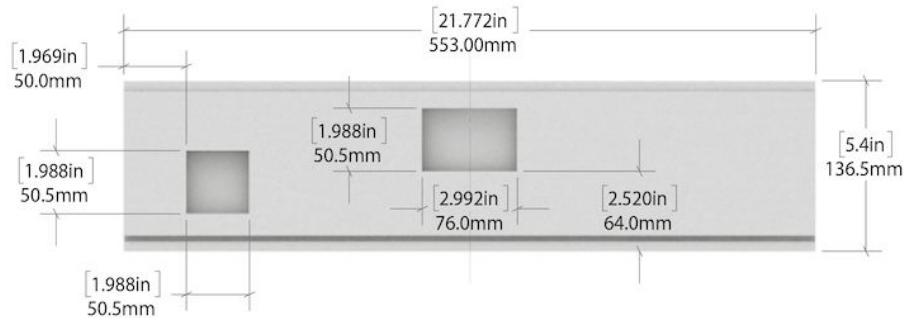
ELECTRICAL SPECIFICATIONS

DATA

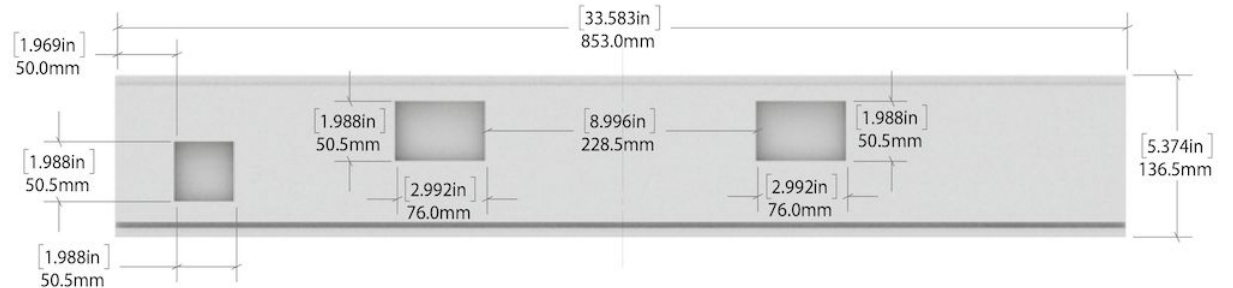
Standard kickplates for 600mm duplex only have one cutout, for 900mm, 1000mm, 1200mm raceways will have two cutout, 22mm from top in center, 76mm length by 50.5mm height.

Kickplate comes with two knockout on either end with hole size 50.5mm by 50.5mm.

**A DATA PLATE COMES WITH TWO PORTS CAN BE USED IN ANY CONFIGURATION OF PHONE DATA JACKS.
(TO BE SOLD SEPARATELY BY ARNOLDS)**

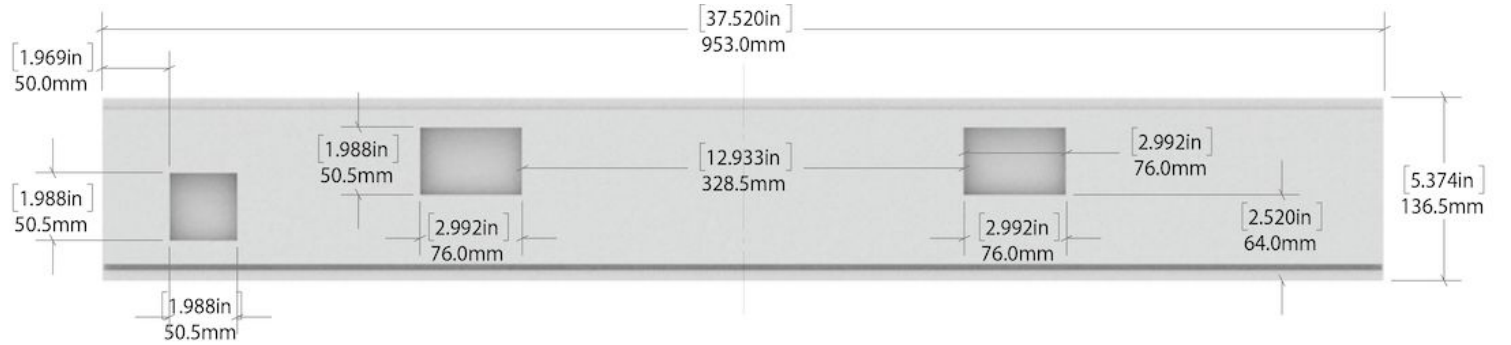


600 RACEWAY



900 RACEWAY

ELECTRICAL SPECIFICATIONS



1000W RACEWAY



1200W RACEWAY

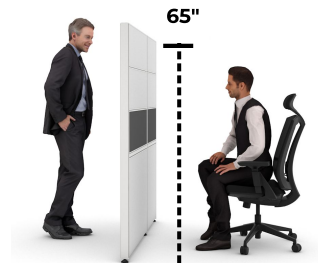
41" HIGH ENVIRONMENT IMAGES



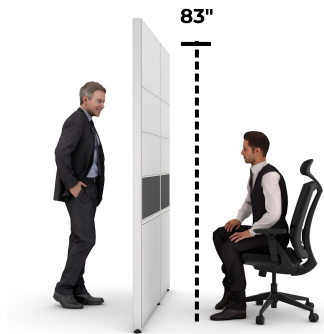
53" HIGH ENVIRONMENT IMAGES



65" HIGH ENVIRONMENT IMAGES



83" HIGH ENVIRONMENT IMAGES



WORKSTATION

KEY FEATURES

- **No Tools Required for Assembly:** Cubicle walls are designed for easy assembly—only a few screws are necessary to secure work surfaces.
- **Interchangeable Panels:** Quickly swap between fabric and glass panels to customize the level of privacy or transparency; change configurations in seconds for enhanced flexibility.
- **Slide-In/Out Design:** Panels easily slide in and out, allowing for ultimate flexibility in configuration and setup.
- **User-Friendly Assembly:** No professional installation experience is needed; the system can be assembled and disassembled by anyone.
- **Customizable Configurations:** Build a wide variety of configurations using 2' and 3' panels, including options such as 4'x2', 5'x5', 6'x6', 7'x7', 8'x6', 8'x8', 9'x12', 10'x15', and more.
- **Premium Materials:** Constructed from high-quality anodized aluminum, HPL particle board, and Class A fabric for durability and aesthetics.
- **Cost-Efficient:** Our system is priced 30-50% lower than other comparable new cubicle systems on the market.
- **Extensive Color and Finish Options:** Choose from hundreds of color and finish combinations to match any workspace environment.
- **Storage and Accessories:** A variety of storage and accessory options are available to enhance the functionality of your cubicle setup.
- **Easy Relocation:** The system is designed for simple disassembly and reassembly, making it easy to move and reconfigure as needed.
- **Rapid Department Overhaul:** Break down and rebuild entire departments within days, even with a small crew.

WORKSTATION CERTIFICATIONS

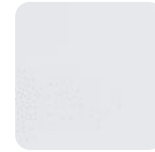
The Sunline Signature system meets the following standards:



*Certificates available upon request

UNIVERSAL WORKSTATION ACCESSORIES

IN-STOCK / ACCESSORY FINISHES



White



Walnut



Grey Fog



Storm Grey



Sit-Stand Base



2-Drawer Lateral
File



Box-Box-File



Monitor Arms



Wardrobe Cabinet



Storage Tower



Mobile Box-File



File-File

UNIVERSAL SIT-STAND DESK BASE

PRODUCT DIMENSIONS*

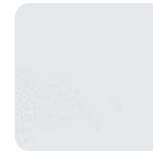
(A) WIDTH
40in - 72in

(B) DEPTH
22in

(C) HEIGHT
24in - 49in

*dimensions are for base only and do not include the surface

IN-STOCK / SURFACE FINISHES



White



Walnut



Grey Fog



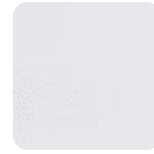
Storm Grey

*in-stock base color is white



UNIVERSAL LATERAL FILE TWO-DRAWER

IN-STOCK / ACCESSORY FINISHES



White



Walnut



Grey Fog



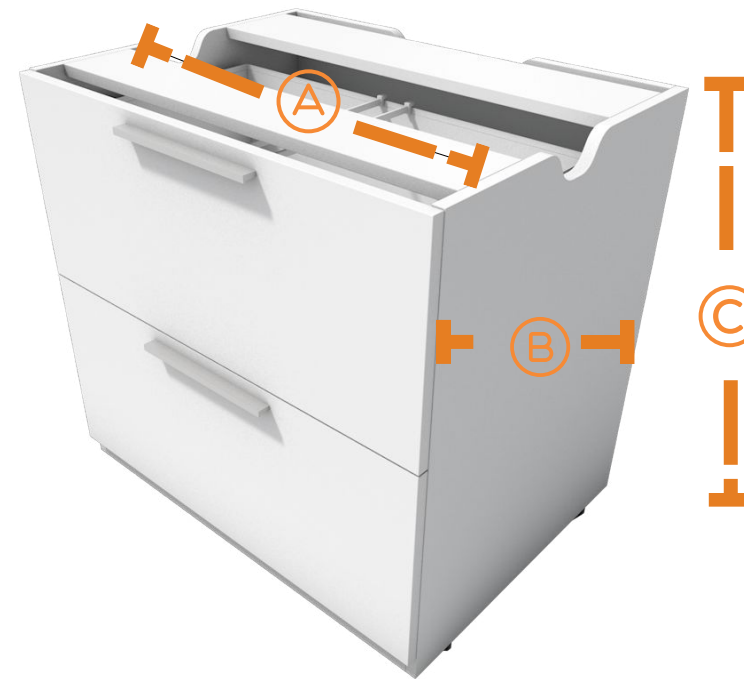
Storm Grey

PRODUCT DIMENSIONS

A WIDTH
30in

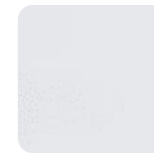
B DEPTH
23in

C HEIGHT
28in



UNIVERSAL BOX-BOX-FILE STORAGE

IN-STOCK / ACCESSORY FINISHES



White



Walnut



Grey Fog



Storm Grey

PRODUCT DIMENSIONS

A WIDTH
16in

B DEPTH
23in

C HEIGHT
28in



UNIVERSAL DUAL MONITOR ARMS

PRODUCT DIMENSIONS

A WIDTH
29in

B DEPTH
5in

C HEIGHT
22in



UNIVERSAL WARDROBE CABINET

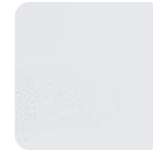
PRODUCT DIMENSIONS

A WIDTH
12in

B DEPTH
24in

C HEIGHT
53in

IN-STOCK / ACCESSORY FINISHES



White



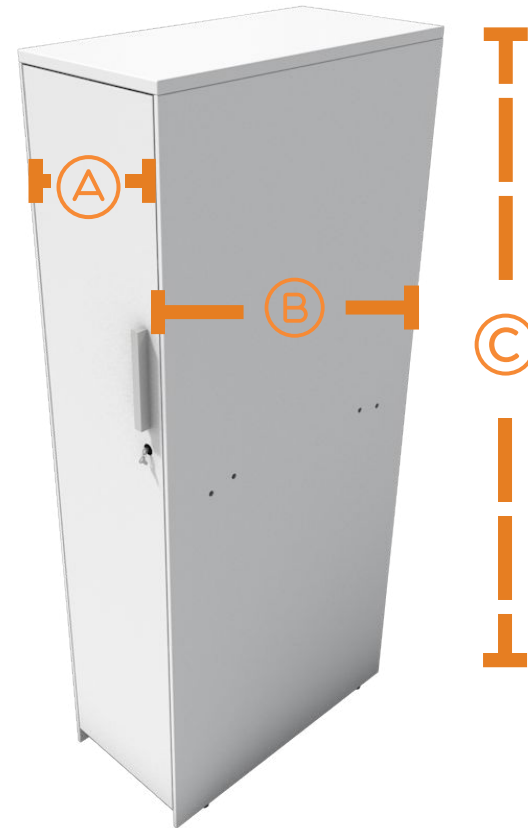
Walnut



Grey Fog



Storm Grey



UNIVERSAL STORAGE CABINET

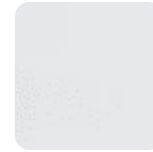
PRODUCT DIMENSIONS

A WIDTH
24in

B DEPTH
24in

C HEIGHT
53in

IN-STOCK / ACCESSORY FINISHES



White



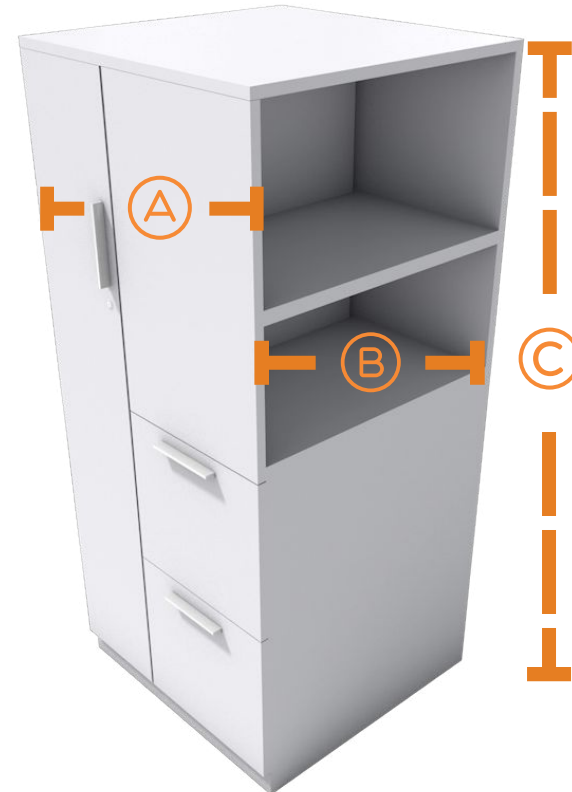
Walnut



Grey Fog



Storm Grey



UNIVERSAL BOX-FILE MOBILE STORAGE

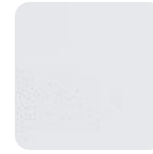
PRODUCT DIMENSIONS

(A) WIDTH
16in

(B) DEPTH
22in

(C) HEIGHT
22in

IN-STOCK / ACCESSORY FINISHES



White



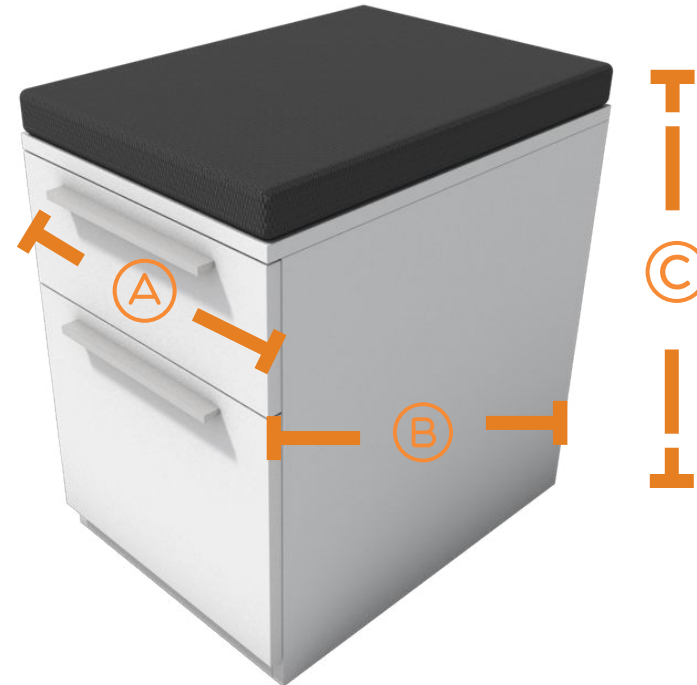
Walnut



Grey Fog



Storm Grey



UNIVERSAL FILE-FILE STORAGE

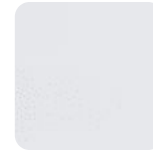
PRODUCT DIMENSIONS

A WIDTH
16in

B DEPTH
23in

C HEIGHT
28in

IN-STOCK / ACCESSORY FINISHES



White



Walnut



Grey Fog



Storm Grey



WORKSTATION ACCESSORIES

SIGNATURE ACCESSORIES



Hanging Shelf



Overhead Storage Cabinet



Overhead Task Light

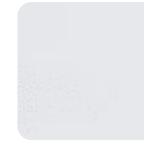


Double Magnetic Dry Erase Whiteboard



Magnetic Dry Erase Whiteboard

IN-STOCK / ACCESSORY FINISHES



White



Walnut



Grey Fog



Storm Grey

WORKSTATION ACCESSORIES



Frosted Sliding Door



Swinging Door



Shown above :
8'x8' 82" with Grey base and Charcoal accent panel
with swinging door accessory

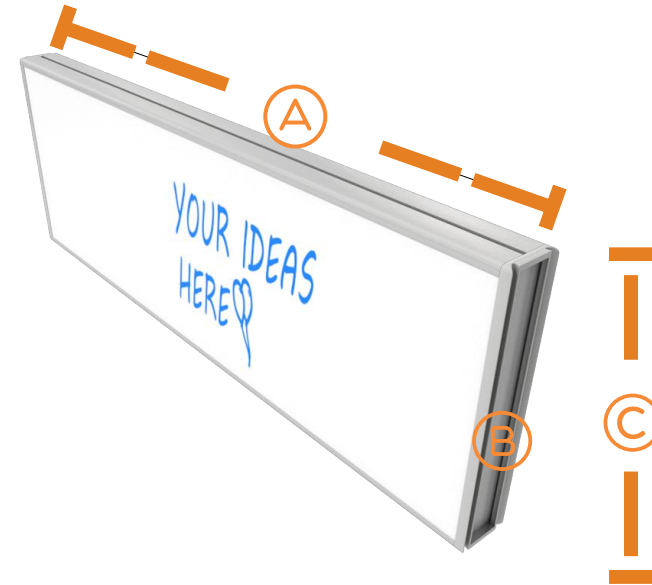
MAGNETIC WHITEBOARD

PRODUCT DIMENSIONS

A WIDTH
36in

B DEPTH
2in

C HEIGHT
12in



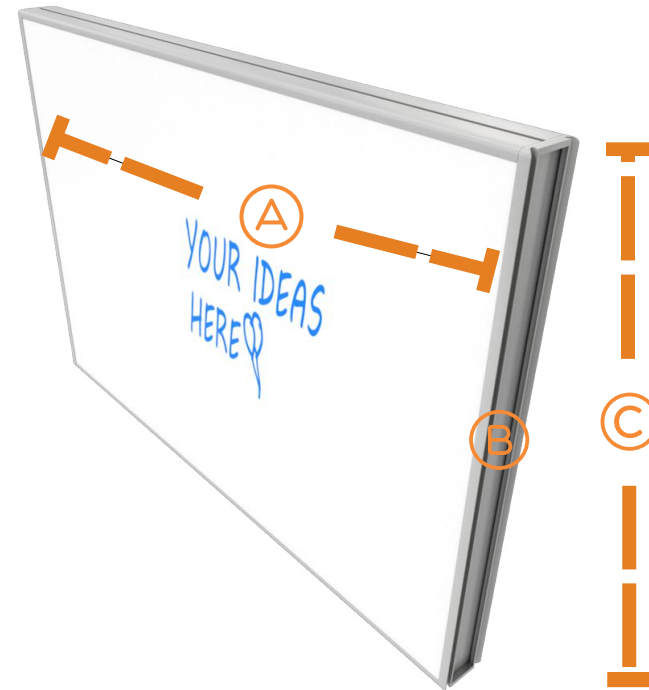
DOUBLE MAGNETIC WHITEBOARD

PRODUCT DIMENSIONS

A WIDTH
36in

B DEPTH
2in

C HEIGHT
24in



OVERHEAD CABINET

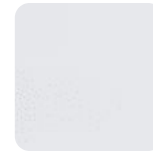
PRODUCT DIMENSIONS

A WIDTH
35in

B DEPTH
16in

C HEIGHT
16in

IN-STOCK / ACCESSORY FINISHES



White



Walnut



Grey Fog



Storm Grey



HANGING SHELF

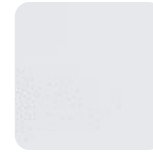
PRODUCT DIMENSIONS

A WIDTH
16in

B DEPTH
11in

C HEIGHT
33in

IN-STOCK / ACCESSORY FINISHES



White



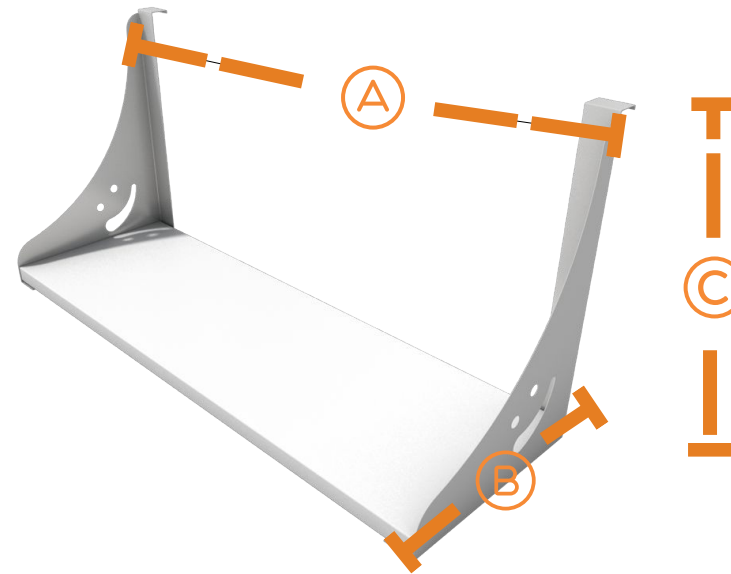
Walnut



Grey Fog



Storm Grey



FROSTED SLIDING DOOR

PRODUCT DIMENSIONS

A WIDTH
40in

B DEPTH
4.5in

C HEIGHT
66in



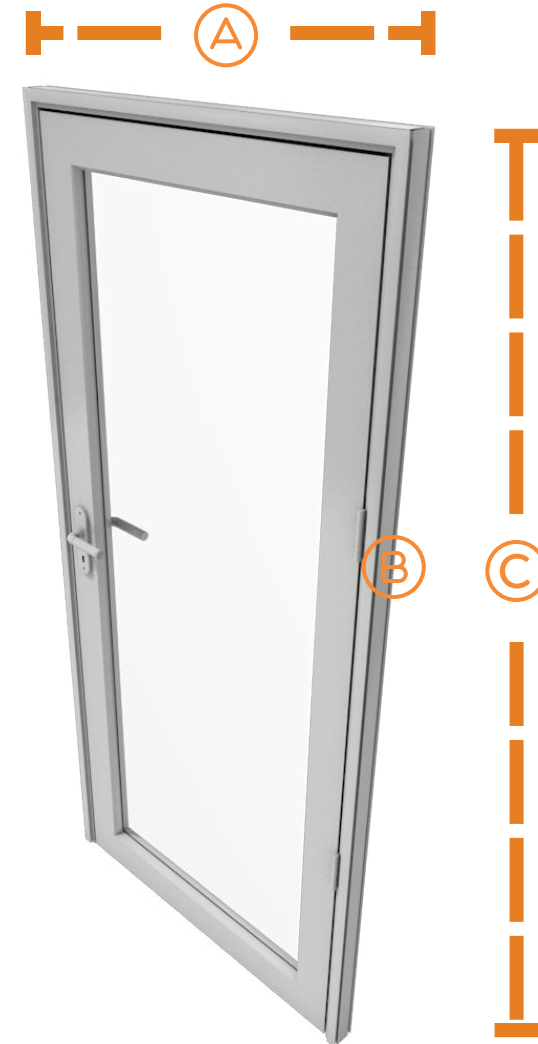
SWINGING GLASS DOOR

PRODUCT DIMENSIONS

A WIDTH
39in

B DEPTH
1.63in

C HEIGHT
83in



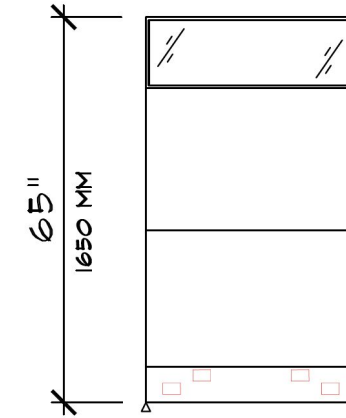
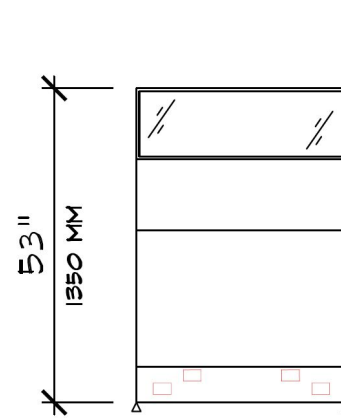
SUNLINE SELECT

WORKSTATION HEIGHTS & WIDTHS

HEIGHTS:

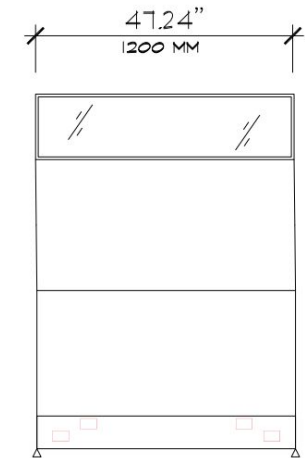
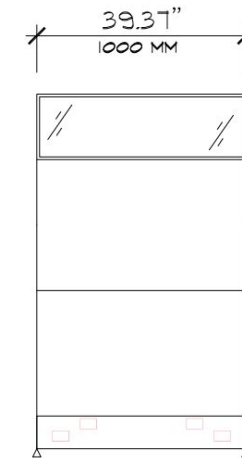
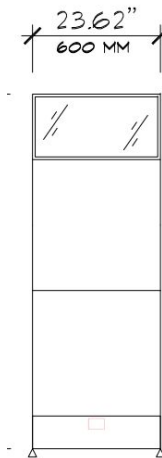
- ➔ 1050 mm (41 in) *
- ➔ 1350 mm (53 in)
- ➔ 1650 mm (65 in)

*Factory Order

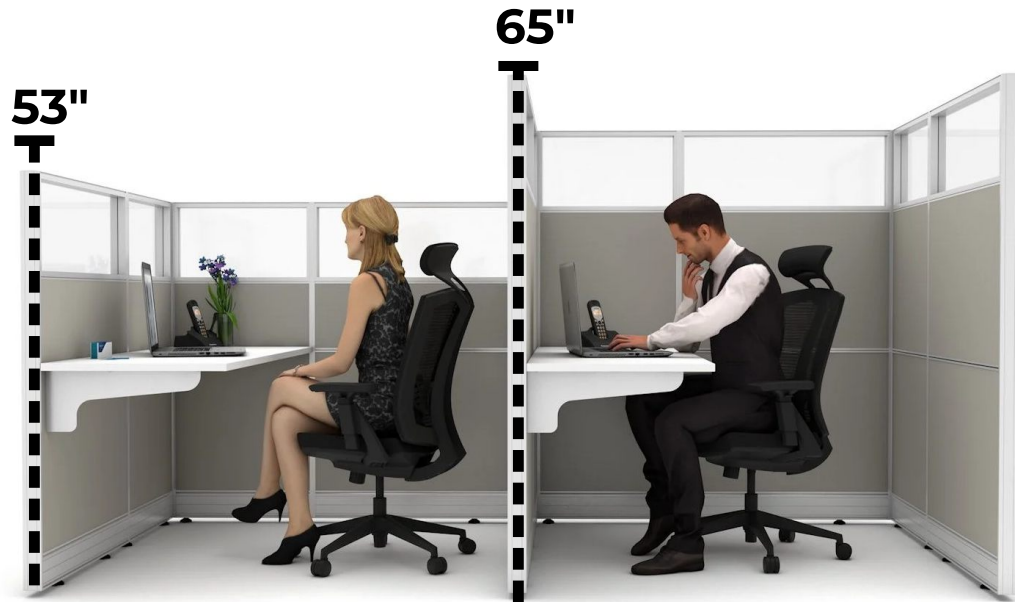


WIDTHS:

- ➔ 600 mm (2 ft)
- ➔ 900 mm (3 ft)
- ➔ 1000 mm (3.2 ft)
- ➔ 1200 mm (4 ft)

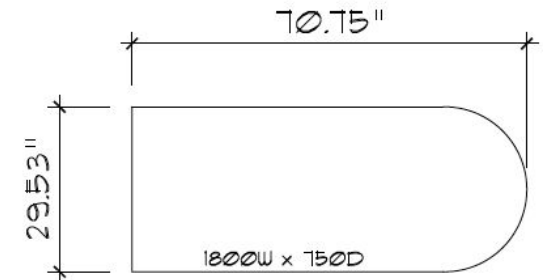
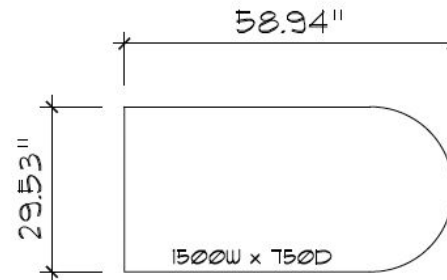
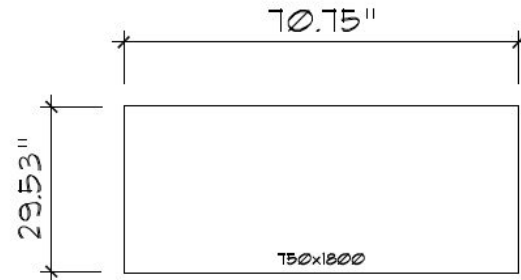
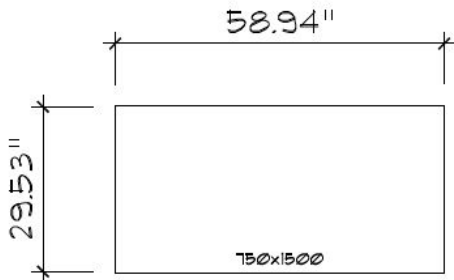
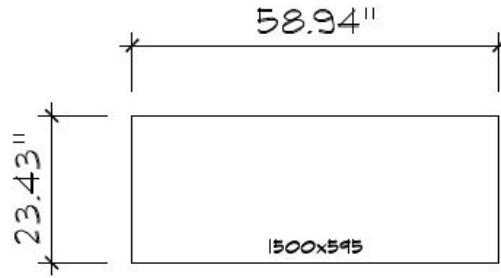
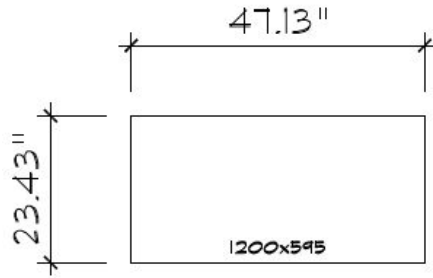
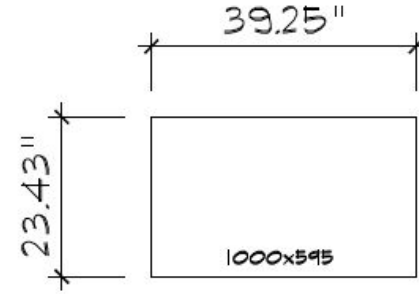
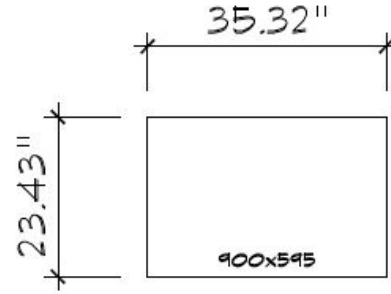
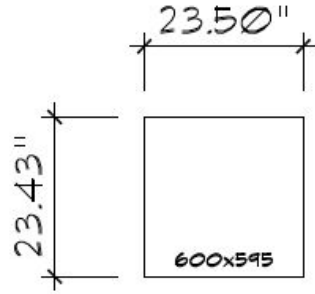


WORKSTATION HEIGHTS

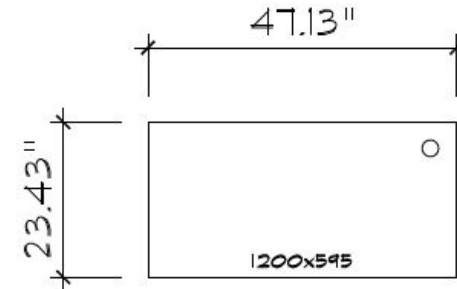
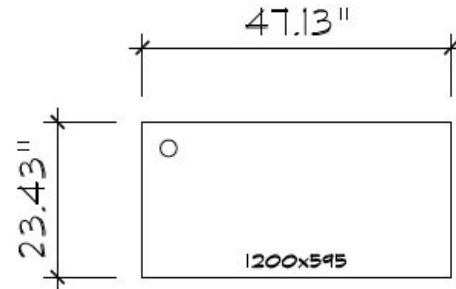
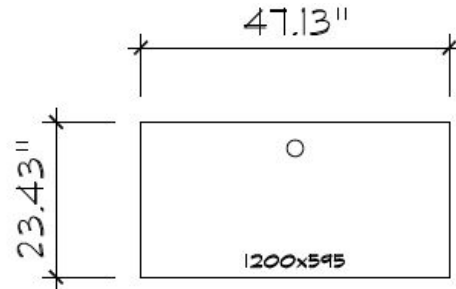
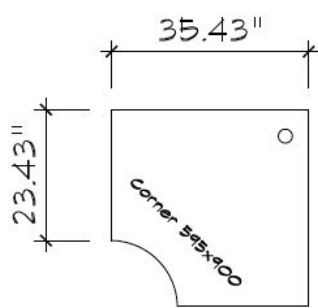
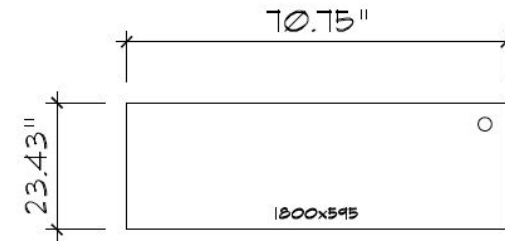
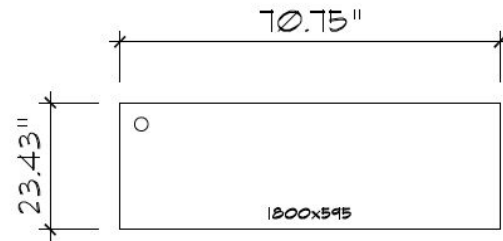
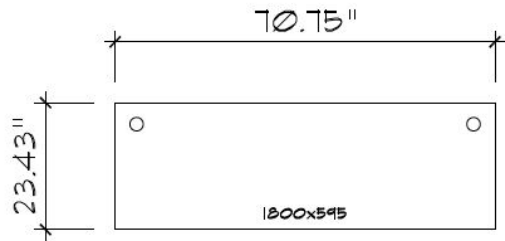
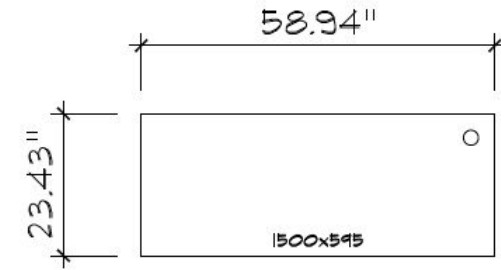
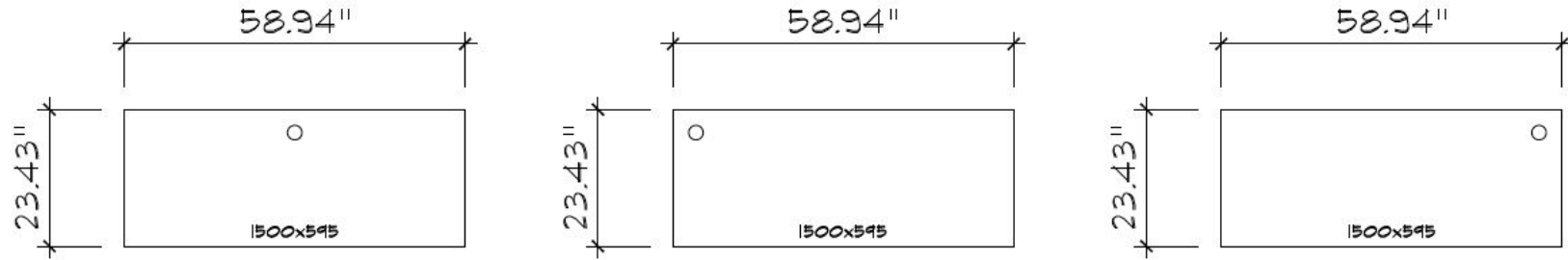


average male height: 5'9" (69")
average female height: 5'4" (64")

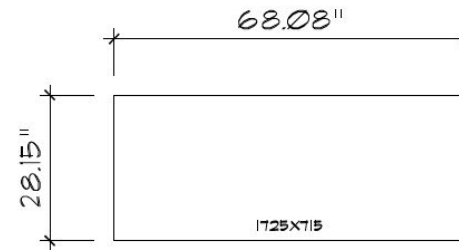
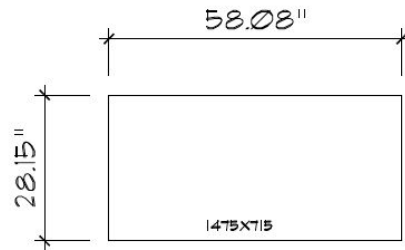
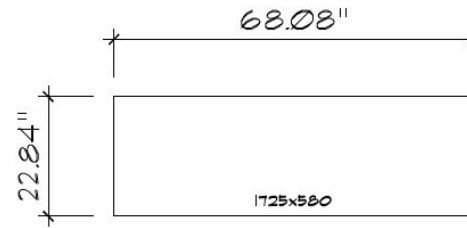
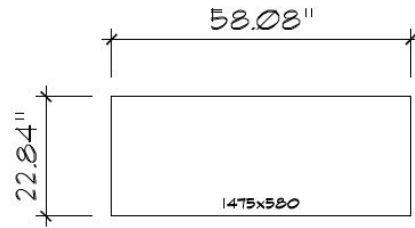
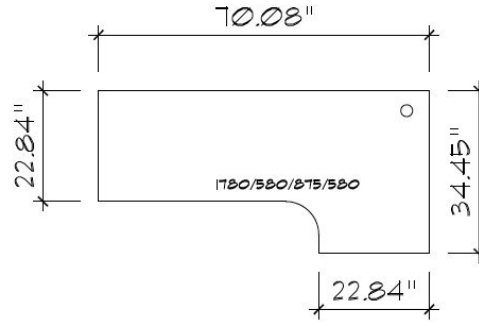
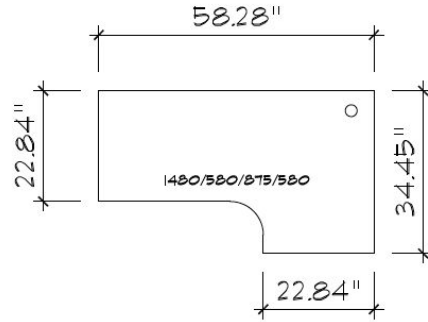
WORKSURFACE OPTIONS WITHOUT GROMMETS



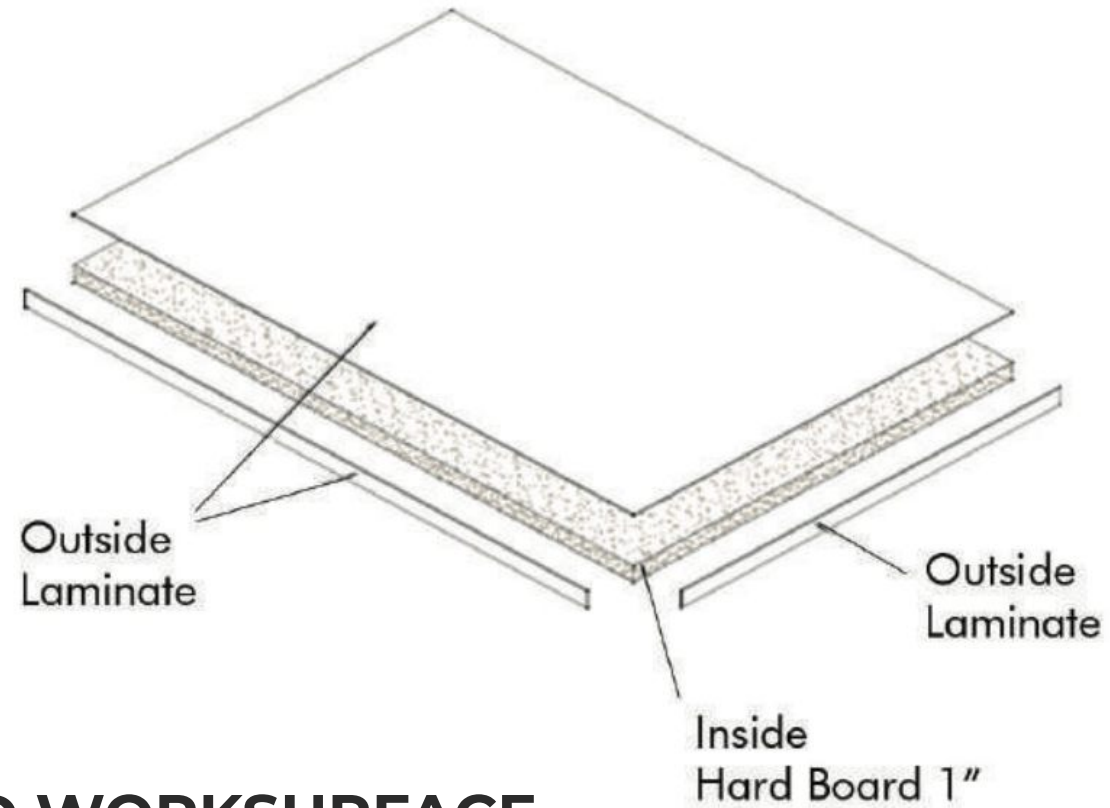
WORKSURFACE OPTIONS WITH GROMMETS



WORKSURFACE OPTIONS FOR SIT-STAND BASE



WORKSURFACE COMPOSITION



EXPLODED WORKSURFACE
(not to scale)

ELECTRICAL SPECIFICATIONS

Common Parts



Power Module

Allows a panel to be powered through the raceway.



Festoon

Connects one power module to another power module via posts.



Pass Thru Jumper

Spans non powered panels to continue power to another panel.



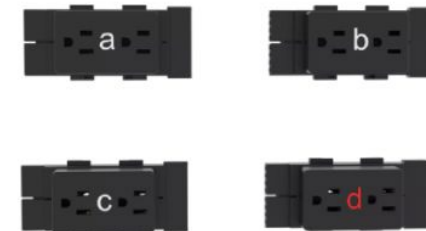
Base Feed

Connects the building's power from the wall or floor to the panels.



Ceiling Feed

Connects the building's power from the ceiling to the panels.



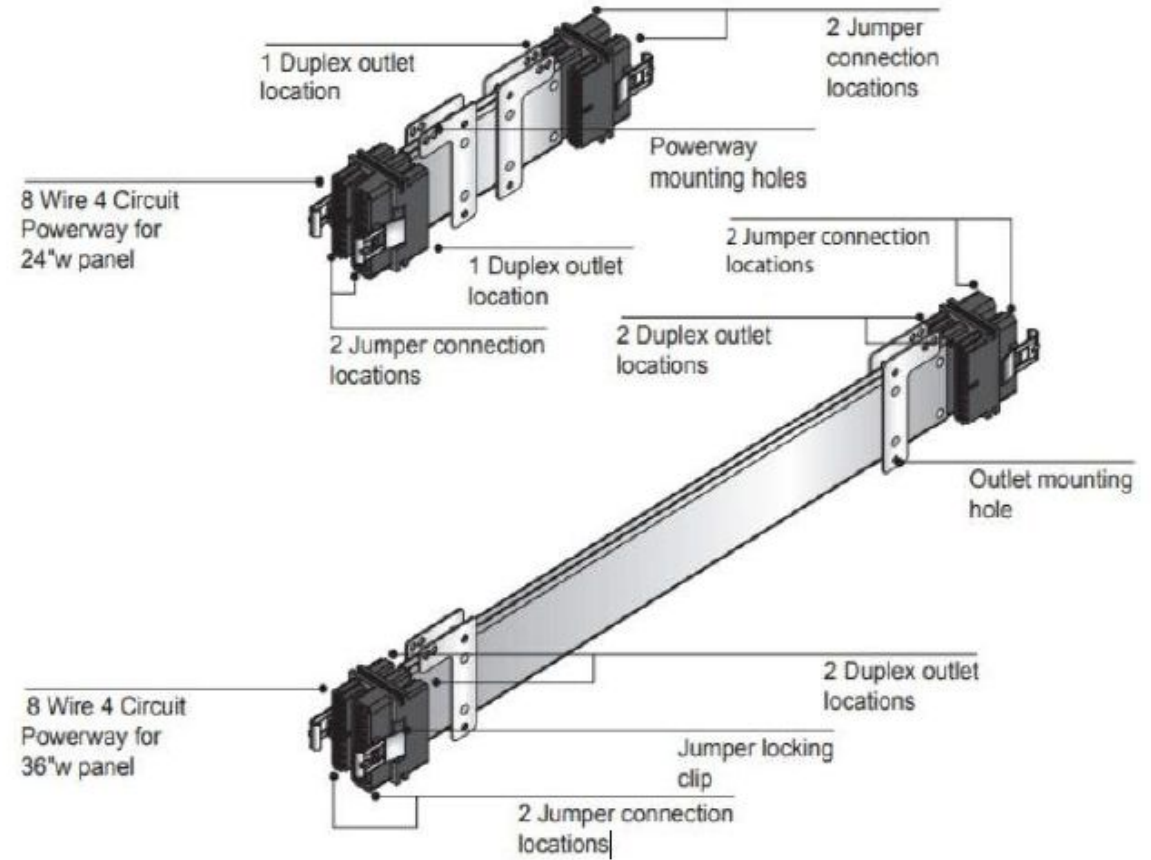
Receptacles

Outlets for cubicles.

ELECTRICAL SPECIFICATIONS

Power Modules provide electrical distribution and access for duplex outlets back to back. 24" wide panels can accept only one duplex outlet per side, two total back to back. All other panels can accept two per side, four total back to back. Power Modules "grow" in length with panels of greater width, making panel to panel connections a "standard" configuration and allowing for "pass through" connections. Each Power Modules has locations for up to four jumpers, two at each end. Power Modules are included when ordering powered panels.

Duplex outlets are available on designated circuits 1 through 4. Each duplex outlet contains two single receptacles (places to plug into) of the same circuit and are specified separately from Power Modules. All duplex outlets have black faces. The lettering on outlets for Circuit 1, 2, and 3 is white. The lettering on outlets for Circuit 4 is orange. Outlets snap into the Power Modules. Duplex outlets are standard 15 amp outlets.

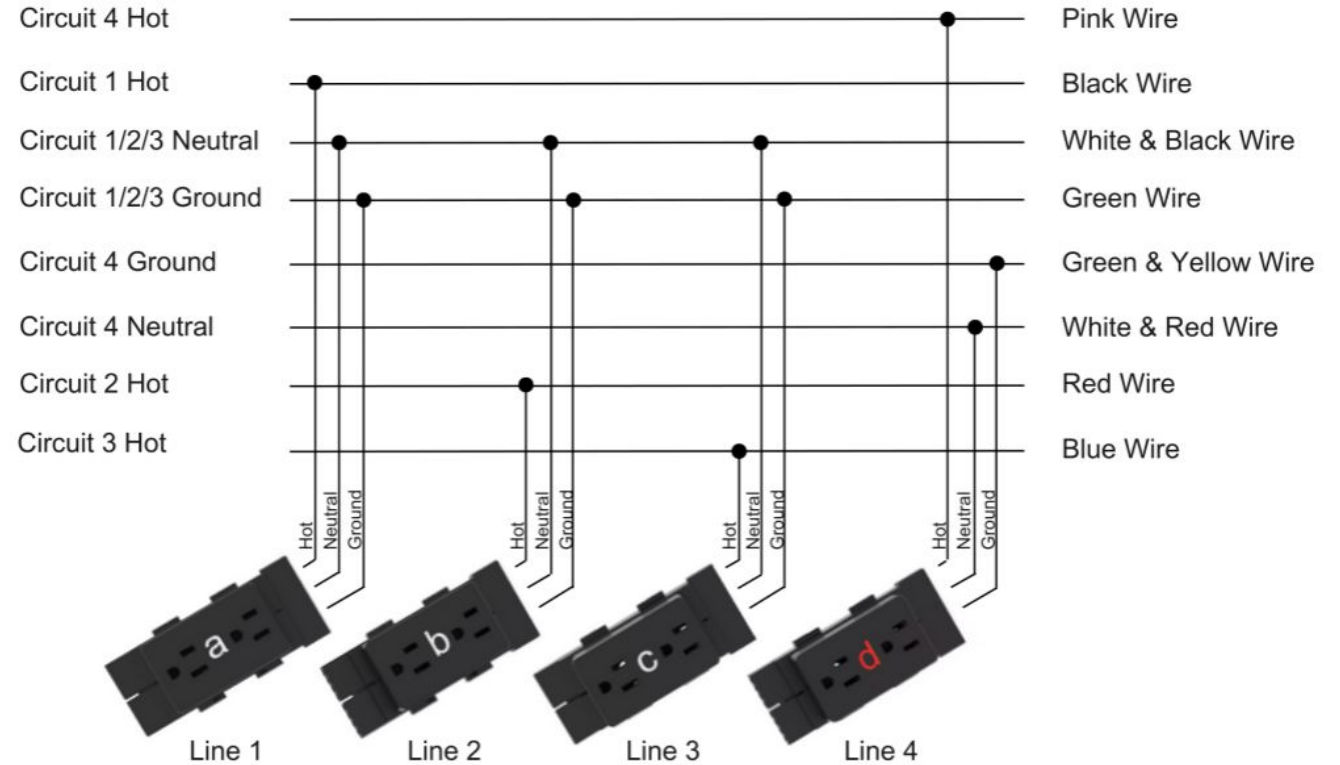


*Powerway = Power Module on graphic

ELECTRICAL SPECIFICATIONS

8 Wire 4 Circuit electrical system contains four circuits. Each circuit is rated at 15 amps/120 volts maximum. Circuit 1, Circuit 2, and Circuit 3 are served by a system neutral and an equipment ground. Circuit 4 is dedicated and is served by its own neutral and ground. Circuit and ground conductors are # A.G.W. (gauge).

All neutrals are #10 A.G.W. (gauge).



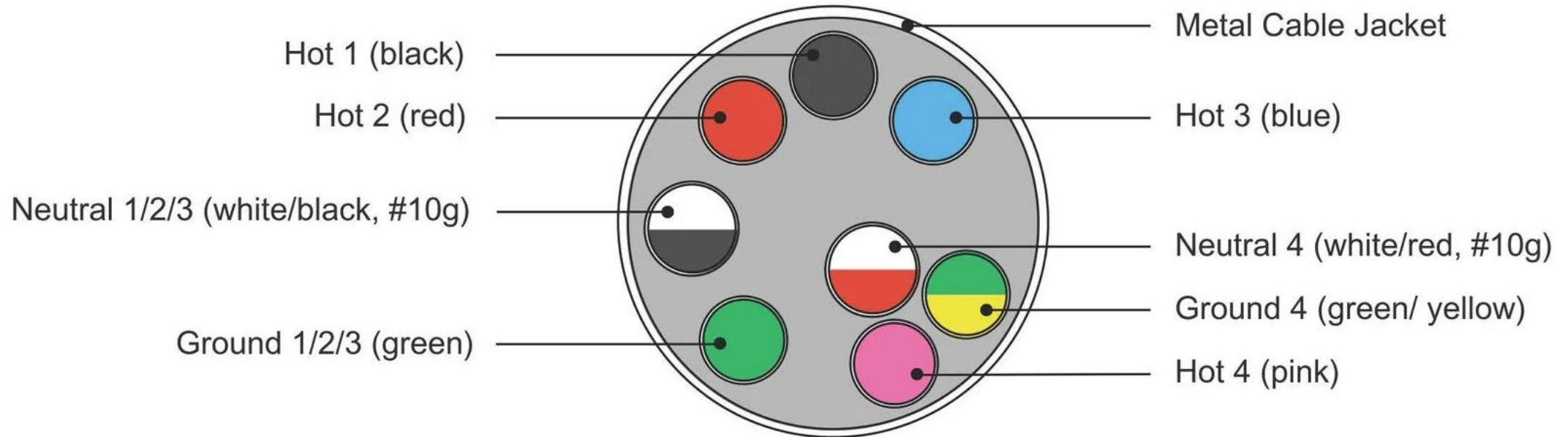
Note: Not all workstations contain all four duplexes. Refer to the project's electrical drawing for more details.

ELECTRICAL SPECIFICATIONS

Wiring Anatomy for Ceiling and Base Infeeds

Shown below is a cross section of the metal cable used for 8 Wire 4 Circuit ceiling and base infeeds.
 Circuit and ground conductors are #12 A.G.W. (gauge).
All Neutrals are #10 A.G.W. (gauge).

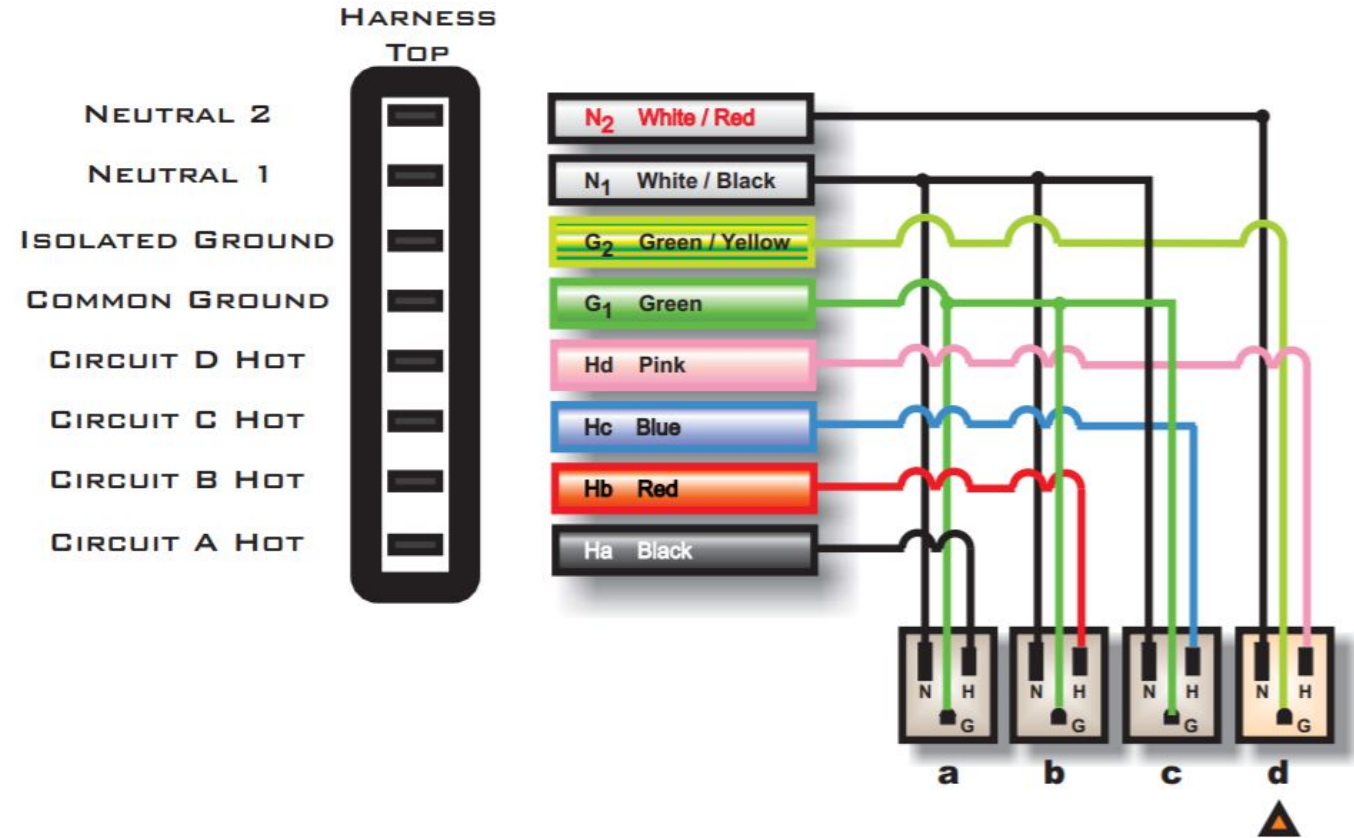
Cross Section 8 Wire 4 Circuit Cable



ELECTRICAL SPECIFICATIONS

This configuration includes 4 hot wires that correspond to circuits a, b, c, and d. Circuits a, b, and c are general circuits that share a common neutral and ground. Circuit d is considered an isolated circuit because it has its own grounding source and wire that is not shared with other equipment. Circuit d is also considered dedicated because it has its own neutral wire.

The purpose of having its own neutral and isolated ground is to prevent unwanted noise from other devices traveling through the system and potentially causing interruptions. Circuit d is typically reserved for computers. Because Circuit d has its own hot, neutral, and ground wires, it could have a separate source of power known as a UPS (Uninterrupted Power Source).



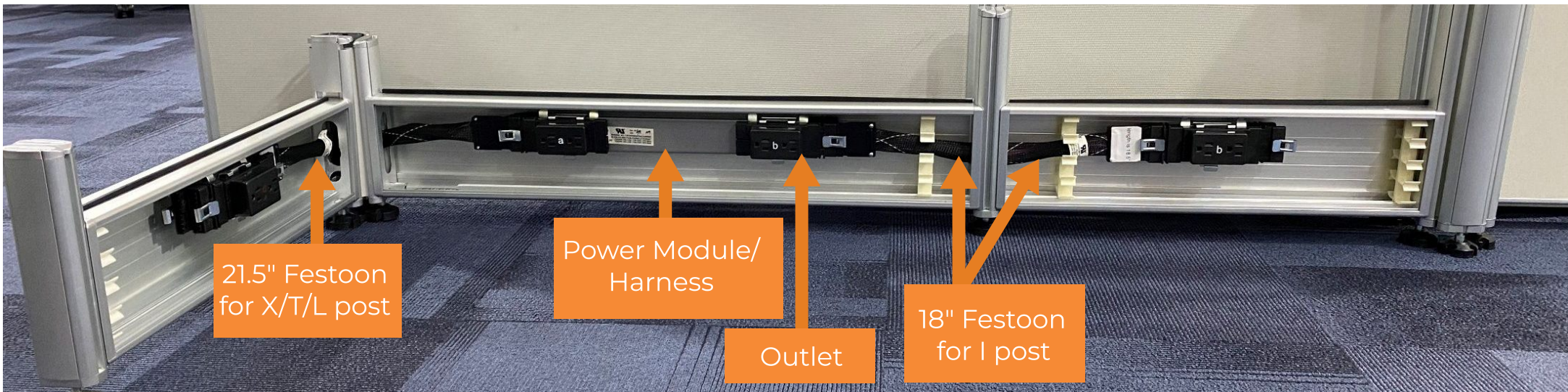
3 GENERAL PURPOSE + 1 ISOLATED CIRCUIT

ELECTRICAL SPECIFICATIONS

Typical Electrical Raceway (covered)



Typical Electrical Raceway (uncovered)



ELECTRICAL SPECIFICATIONS

Hiring an IT/Networking Team

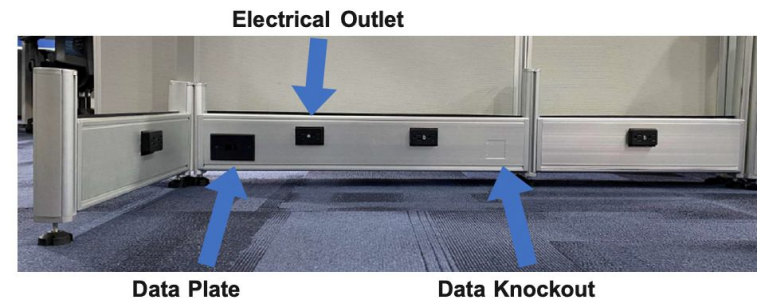
Every company has very specific requirements when it comes to data/networking. When you hire a networking contractor, they will pull lines from the server room and splice their wiring into the networking jacks that fit your needs. Some require one jack per face plate, some require multiple. If electrical and data are coming from the ceiling and are being supplied to more than three workstations, we recommend that each data drop has their own power pole, separate from the power poles used for electrical.

To the right is an example of what a lot of clients use as a data face plate. Your IT Group should supply the data face plate and hardware that works best for your needs. Our raceway covers are silver and our electrical receptacles are black.

The rectangular cutout is simply a "knockout" in the raceway cover at the base of the panels where your networking contractor can attach any size flush mount plate. This knockout will need to be punched out during install. Any size will work (larger than the knockout) and you can screw it right to the raceway cover.

Data Plate Specifications

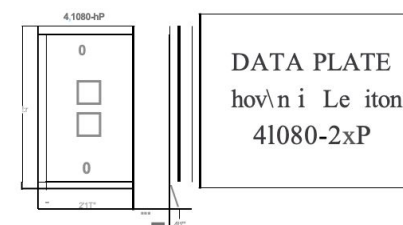
Standard kickplates (for 900mm, 1000mm, 1200mm raceways) will have two knockouts/cutouts. The data knockout is 2x2 (50.8 mm) and 1 1/2" (38.1 mm) from the bottom of the kick plate.



Data Plate - outside view



Data Plate - inside view



ELECTRICAL SPECIFICATIONS

Ceiling Infeeds

Power can be brought from the ceiling down to the workstations via a power pole. This plastic pole slides 6" down into the post (t-post or x-post) of the workstations panels, and can power up to eight workstations.

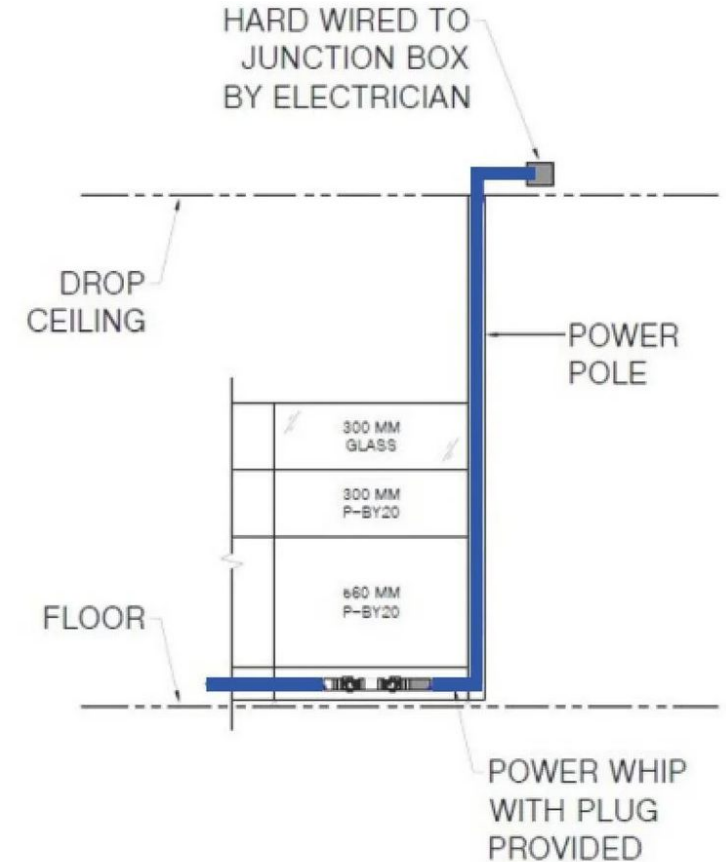
The standard height of the pole is 12', and it can be cut ahead of time if the ceiling height is known. If not, it can be cut in the field. The infeed inside of the power pole is 14' long, leaving 1' on either end to connect into the building's power and to the workstation power harness.

The first 4.5' of cabling within the power pole will be covered by metal flex casing. If the cabling needs to be protected up to the ceiling, you can ask your electrician to provide an M3 braided jacket, which can attach to the junction box. Your electrician would need to determine where the cut out in the ceiling should be located based on the location of the workstations.

If electrical and data are coming from the ceiling, we recommend that each data drop has their own power pole, separate from the power poles used for electrical.



Ceiling power pole when installed



Ceiling infeed diagram

ELECTRICAL SPECIFICATIONS

Base Infeeds for Walls & Floors

Power can be brought from the wall or the floor via a base infeed (also known as a whip). These infeeds are 6' long and can support up to eight workstations. One end of the infeed will plug into the workstation panels, while the other end will need to be hardwired into the building's power.

If infeeds are sent out prior to install to be used on the wall, please have your electrician install them with a 90 degree elbow and have the whip pointing towards the ground, as shown in the first image. The hardware for attaching an infeed to the floor or wall will need to be provided by your electrician.



Example of wall infeed



Example of floor infeed



Power Infeed (Whip)

Infeed connection inside of panel, with exposed wiring on other end to hardwire into wall or floor

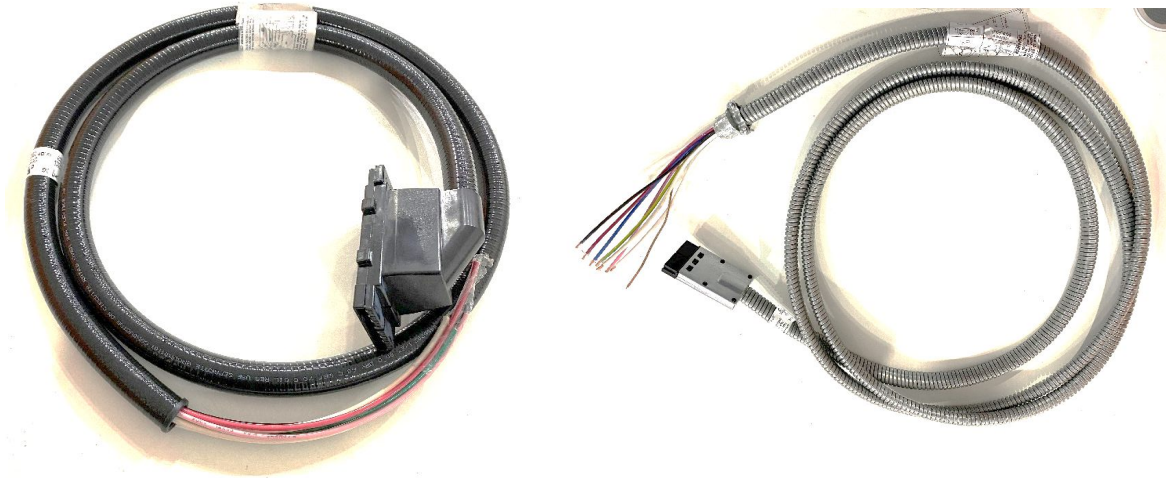
ELECTRICAL SPECIFICATIONS

Base Power Infeed (left and right)

Also called wall infeed or power whip, base infeeds are connected by an electrician to a main electric line in the wall or floor, and into a power module that's mounted to a raceway, which begins the electric current all around raceways in the cubicle walls as long as they're connected through festoons/connectors, pass through jumpers, and/or other power modules. To be safe, one base infeed can power up to 8 cubicles.

Ceiling Power Infeed

Ceiling infeeds are connected by an electrician to the main electric line in the ceiling, down through a power pole, and around into a power module that's fastened to a raceway, which starts the electric current all around raceways as long as they're connected through festoons/connectors, pass through jumpers, and other power modules. To be safe, one ceiling infeed can power up to 8 cubicles.



Arrow is up and wire coming out on the left side indicates this is a left infeed

ELECTRICAL SPECIFICATIONS

POWER MODULE

In 3 standard sizes – 23.62" (600mm raceway), 35.43" (900mm raceway), and 47.24" (1200mm raceway), power modules receive power from the base/wall infeed, ceiling infeed, or floor core infeed, to power receptacles (outlets) that clip in. Also available in 39.4" for 1000mm raceways.



RACEWAY

The raceway is typically the bottom-most “panel” and allows for electric to run into every cubicle requiring power. It typically comes in 3 sizes: 600mm*150mm, 900mm*150mm, 1200mm*150mm. Also 1000mm*150mm when a door is used.

Inside each raceway is either a power module that’s been mounted to the raceway, or a pass-through jumper that passes the electric from one power module to the next. A raceway is not used if neither a pass-through jumper runs through it, or there is no power module. Receptacles - aka outlets or duplexes - clip into power modules and through cut out holes in kickplates.

Raceways can also run above the work surface - called beltway power - but this is very uncommon since it means all the wires and cords would be out in the open.



ELECTRICAL SPECIFICATIONS

RECEPTACLES / POWER OUTLETS

There are 4 lettered designations of standard receptacles: A, B, C, D. Although there are slight differences in how each is wired internally, the letters are primarily reference points for the electrician to help him/her keep track of how to combine various receptacles of the same letter into one group of connections that all lead to their dedicated 15 amp breaker.

While each receptacle can draw up to 15 amps, typically each cubicle will draw 3-5 amps at any given point in the day - distributed into however many receptacles are being used and how users plug in their electronics (i.e. - computer in one receptacle, all other accessories in another).

Electricians should wire matching letters together to reach the breaker's 15 amp capacity (allowing up to 2.5 amps for each receptacle). If any one group of lettered receptacles (i.e. - all the A's) combines for more than 15 amps, then another infeed must be used.

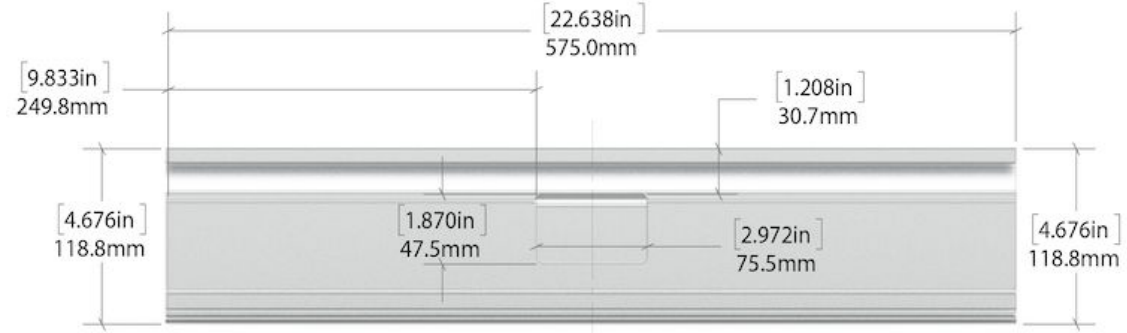
Breaking it down further, if each letter uses 2.5 amps on average, then any one cluster can use up to 6 of that lettered receptacle (6 receptacles * 2.5 amps = 15amps). Which means, by evenly dispersing all 4 letters, the receptacles should be able to support up to a 12-pack of cubicles on one infeed plus 4 breakers.

Common Equipment Amperages:

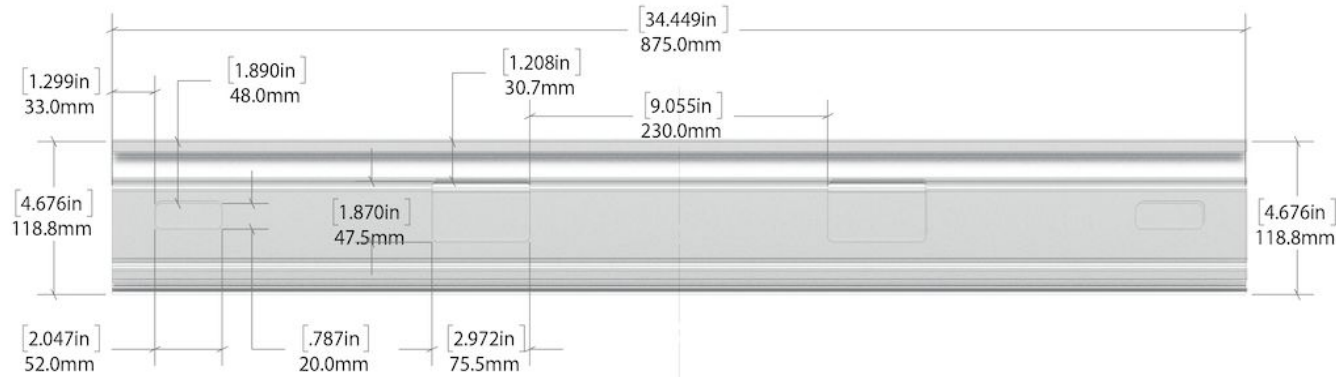
- Personal Computer - 2.00 - 4.00
- Computer Monitor - .25 - .50
- Laser Printer - 4.50
- Desktop Plotter - 1.50
- Desk Fan - .50 - 1.00
- Desk Heater - 8.50 - 12.50
(Not recommended to use in cubicle)
- Task light - 1.00
- Fan - 1.00
- Paper Shredder - 4.00 - 12.00



ELECTRICAL SPECIFICATIONS

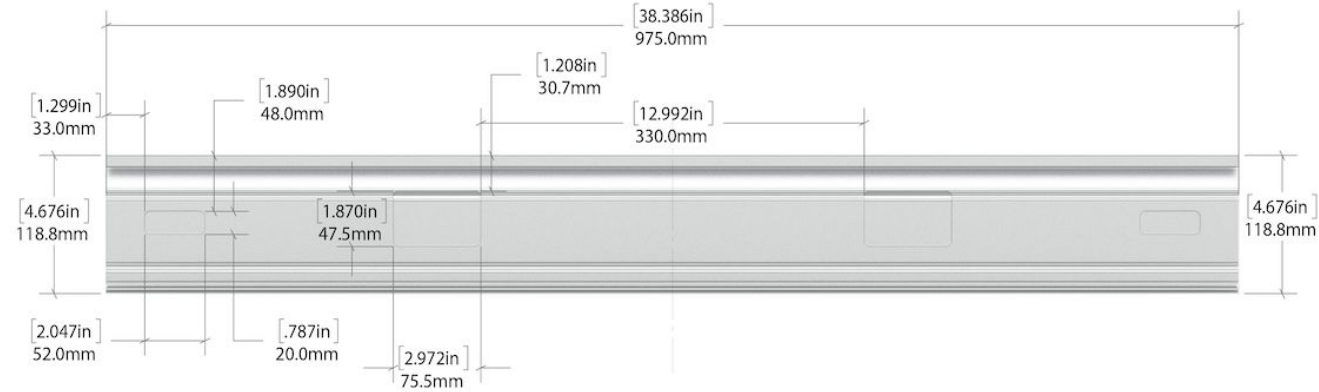


575W RACEWAY

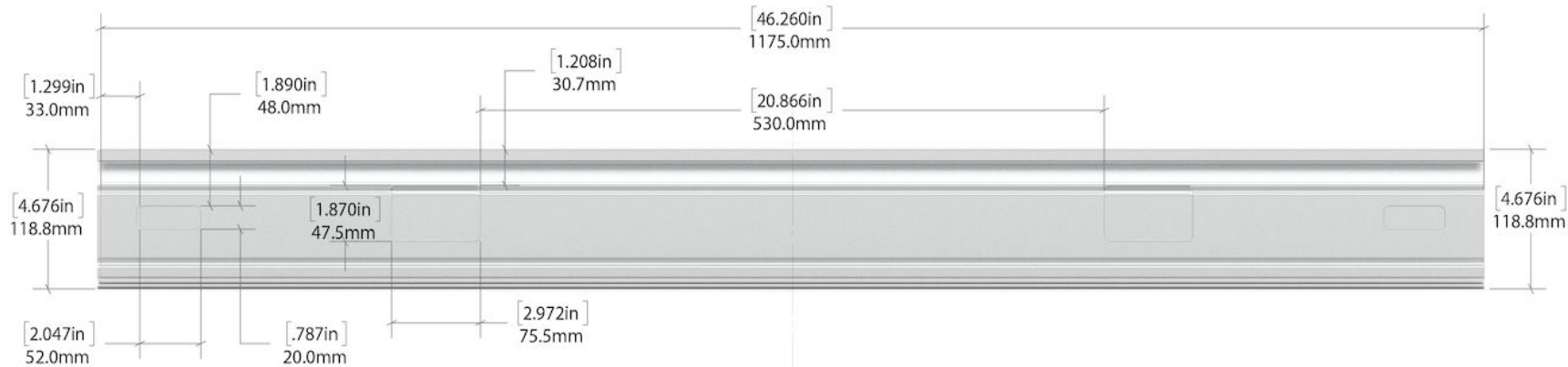


875W RACEWAY

ELECTRICAL SPECIFICATIONS



975W RACEWAY



1175W RACEWAY

WORKSTATION ACCESSORIES

SELECT ACCESSORIES

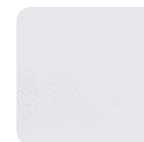


Hanging
Shelf



Overhead
Storage Cabinet

IN-STOCK / ACCESSORY FINISHES



White



Walnut



Grey Fog



Storm Grey

HANGING SHELF

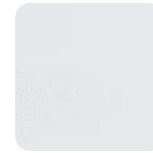
PRODUCT DIMENSIONS

A WIDTH
35in

B DEPTH
6in

C HEIGHT
14in

IN-STOCK / ACCESSORY FINISHES



White



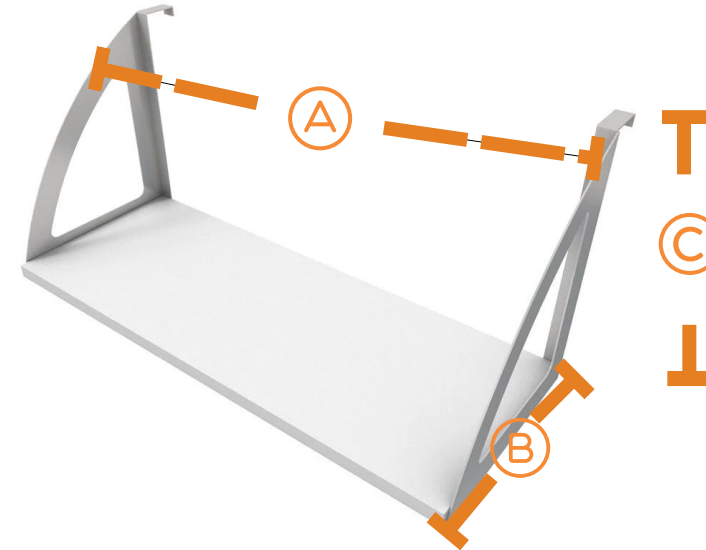
Walnut



Grey Fog



Storm Grey



OVERHEAD CABINET

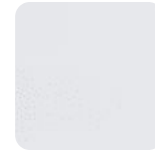
PRODUCT DIMENSIONS

A WIDTH
35in

B DEPTH
14in

C HEIGHT
17in

IN-STOCK / ACCESSORY FINISHES



White



Walnut



Grey Fog



Storm Grey



IN-STOCK FINISHES

IN-STOCK / FABRIC



In-Stock:
Greige

IN-STOCK / TRIM



In-Stock:
UTOR - 05
(ANODIZED)

IN-STOCK / SURFACES



In-Stock:
White



In-Stock:
Walnut



In-Stock:
Grey Fog

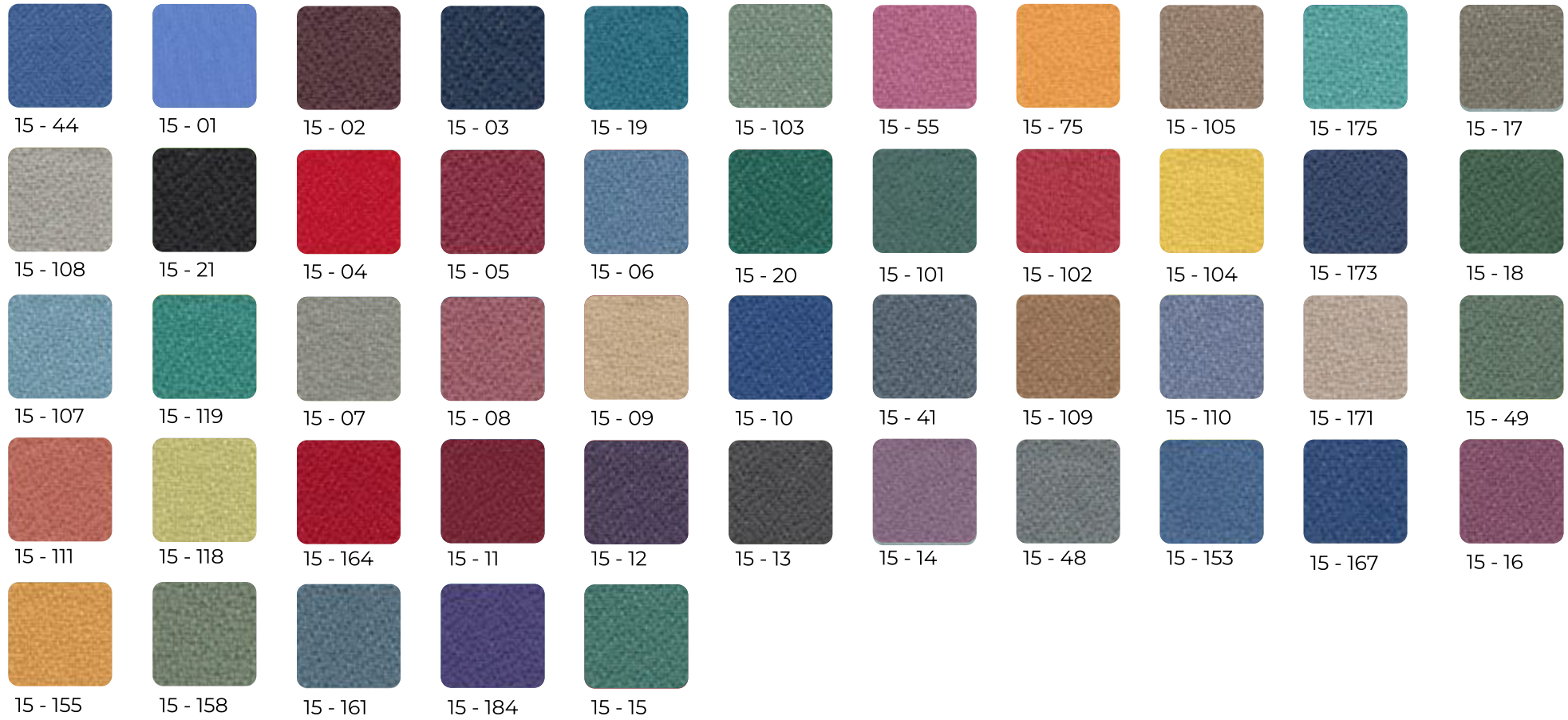


In-Stock:
Storm Grey



FACTORY ORDER FINISHES

FACTORY ORDER / FABRICS*



* Upcharge for Factory Ordered Colors

FACTORY ORDER FINISHES

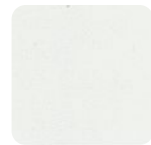
FACTORY ORDER / SURFACES*



XD - 1001
Grey



XD - 1004
Black



XD - 1009
White



XD - 1014
Teak



XD - 1016
Walnut



XD - 1021
White Oak



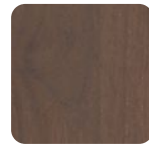
XD - 1024
Engineered
Oak



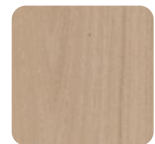
XD - 1025
Black Oak



XD - 1026
Oak



XD - 1028
Red Walnut



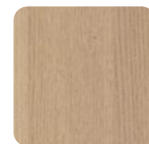
XD - 1037
Buller Thorn
Plum



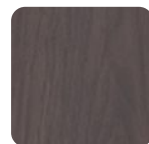
XD - 1020
Maple



XD - 1021
Fir



XD - 1022
Red Oak



XD - 1040
North American
Walnut

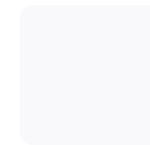
FACTORY ORDER / TRIM*



F3



F1



UTOR - 13

* Upcharge for Factory Ordered Colors

SUNLINE SELECT

53" HIGH ENVIRONMENT IMAGES

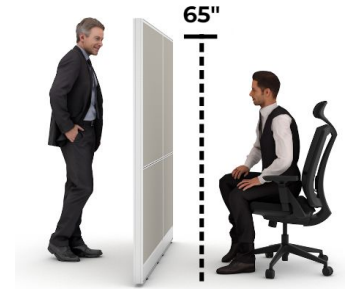


SUNLINE



SUNLINE SELECT

65" HIGH ENVIRONMENT IMAGES



SUNLINE



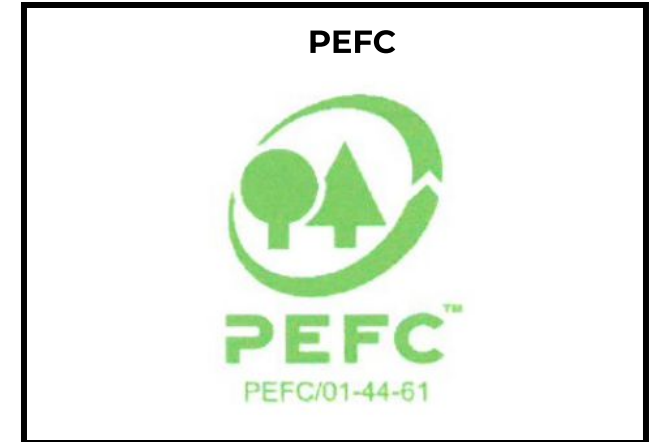
WORKSTATION

KEY FEATURES

- **Modern Aesthetic:** Sleek, monolithic workstations with a segmented design—ideal for crafting a professional and welcoming workspace.
- **Extensive Color and Finish Options:** Multiple finishes and color options for a tailored aesthetic.
- **Premium Materials:** Constructed from high-quality anodized aluminum with horizontal support rails added for strength and rigidity.
- **User-Friendly Assembly:** Panels snap together effortlessly, secured with just a few clips and screws, making office setup quick and hassle-free.
- **Customizable Configurations:** Build a wide variety of configurations using 2' and 3' panels, including options such as 4'x2', 5'x5', 6'x6', 8'x6', 8'x8', and more.
- **Cost-Efficient:** Our system is priced 30-50% lower than other comparable new cubicle systems on the market.
- **Storage and Accessories:** A variety of storage and accessory options are available to enhance the functionality of your cubicle setup.
- **Comprehensive Support:** Expert support for layout planning and customization, with dedicated customer service for product guidance and solutions.
- **Trusted Brand:** We have over 90 years of experience in office furniture solutions.

WORKSTATION CERTIFICATIONS

The Sunline Select system meets the following standards:



*Certificates available upon request

SUNLINE ERGO

SUNLINE ELEVATE

ERGO PLUS CHAIR

PRODUCT FEATURES

- (A)** Leatherette composite headrest
- (B)** Adjustable lumbar support
- (C)** Adjustable gel arms
- (D)** Memory foam cushion
- (E)** Heavy duty base with hard molded seat structure, pneumatic gas lift, tension lock and tilt control
- (F)** Heavy duty casters
- (G)** Weight Bearing Capacity: 440lbs



PRODUCT DIMENSIONS



① OVERALL DEPTH
25in

② OVERALL WIDTH
28in

③ HEIGHT RANGE
42in - 48in

ERGO PLUS

CHAIR INSTRUCTIONS

STEP1		STEP2				STEP3														
STEP4		STEP5		STEP6		STEP7														
Ergo Plus	NO.	1	2	3	4	5	6	7	8	9	10	11	12	13	14	15	16	17		
	SKETCH																			
	SIZE							Left&right			M5*25mm	M6*30mm	M6*35mm	M8*20mm	Ø6	Ø6	Ø8	Ø8	5mm	
	QTY	1pcs	1pcs	5pcs	1pcs	1pcs	2pcs	1pcs	1pcs	1pcs	2pcs	2pcs	8pcs	3pcs	10pcs	4pcs	3pcs	3pcs	1pcs	

ERGO CLASSIC CHAIR

PRODUCT FEATURES

- (A)** Adjustable lumbar support
- (B)** Adjustable gel arms
- (C)** Memory foam cushion
- (D)** Heavy duty base with hard molded seat structure, pneumatic gas lift, tension lock and tilt control
- (E)** Heavy duty casters
- (F)** Weight Bearing Capacity: 330lbs



PRODUCT DIMENSIONS



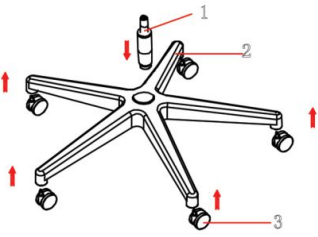
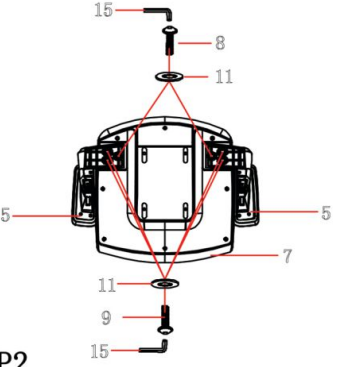
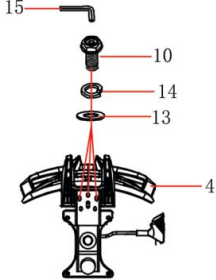
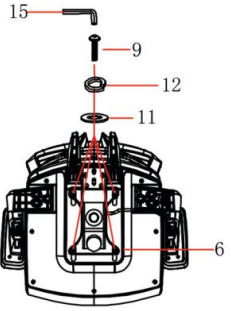
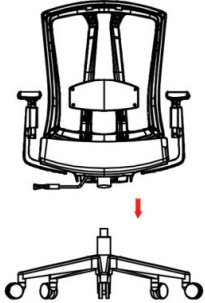
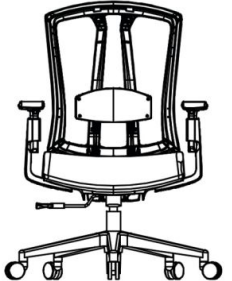
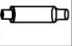














1 OVERALL DEPTH
26in

2 OVERALL WIDTH
28in

3 HEIGHT RANGE
42in - 48in

ERGO CLASSIC

CHAIR INSTRUCTIONS

 <p>STEP1</p>	 <p>STEP2</p>	 <p>STEP3</p>																		
 <p>STEP4</p>	 <p>STEP5</p>	 <p>STEP6</p>																		
<p>Ergo Classic</p>	<p>NO.</p>	1	2	3	4	5	6	7	8	9	10	11	12	13	14	15				
	<p>SKETCH</p>																			
	<p>SIZE</p>					Left&right				M6*30mm	M6*35mm	M8*20mm	φ6	φ6	φ8	φ8	5mm			
	<p>QTY</p>	1pcs	1pcs	5pcs	1pcs	2pcs	1pcs	1pcs	2pcs	8pcs	3pcs	10pcs	4pcs	3pcs	3pcs	1pcs				

ELEVATE CHAIR

PRODUCT FEATURES

- (A) Headrest and angle adjustment
- (B) Backrest and lumbar height, tilt angle and flexible tilt tension adjustment
- (C) The angle of lumbar adjustment
- (D) Armrest height and angle, forward or backward adjustment
- (E) Seat height and depth adjustment
- (F) Weight Bearing Capacity: 350lbs



PRODUCT DIMENSIONS



① CUSHION WIDTH
21in

② CUSHION DEPTH
22in

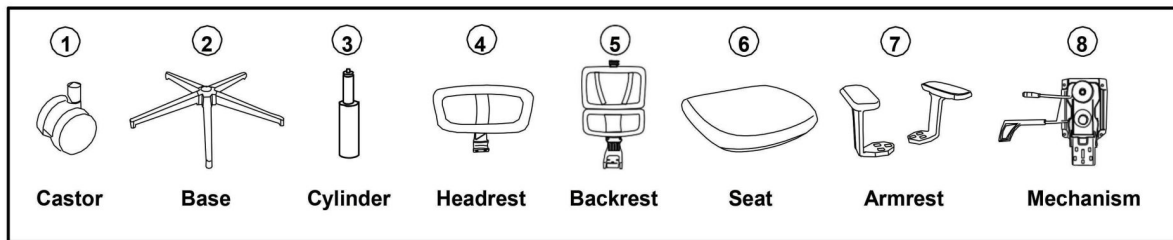
③ HEIGHT RANGE
49in-56IN

④ ALUMINUM BASE
12in

ELEVATE

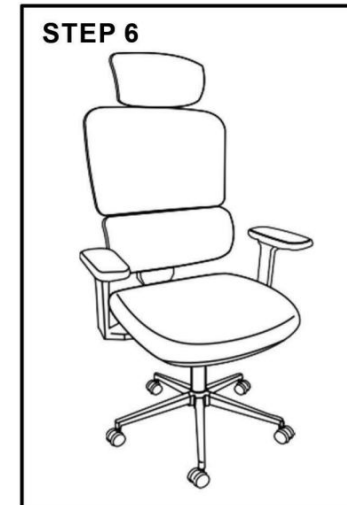
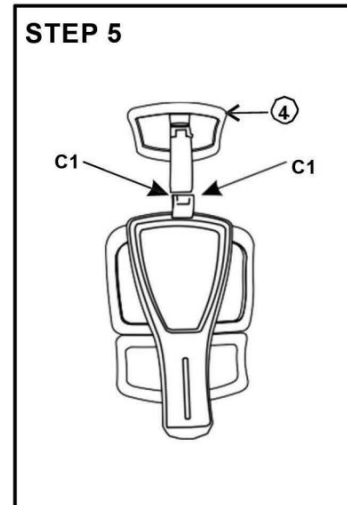
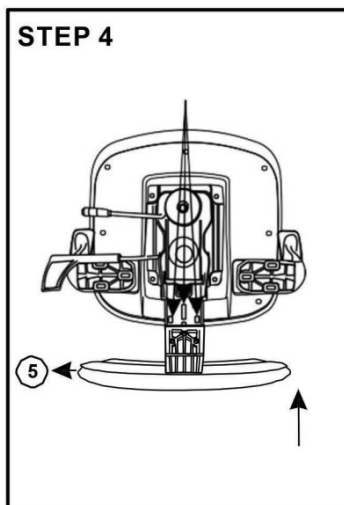
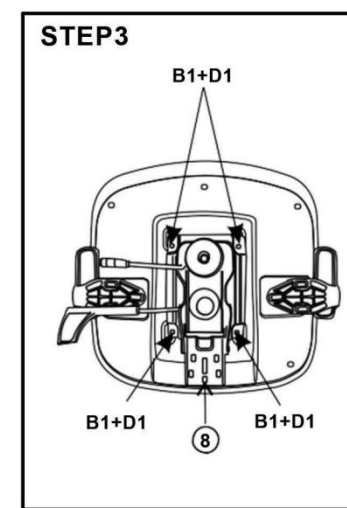
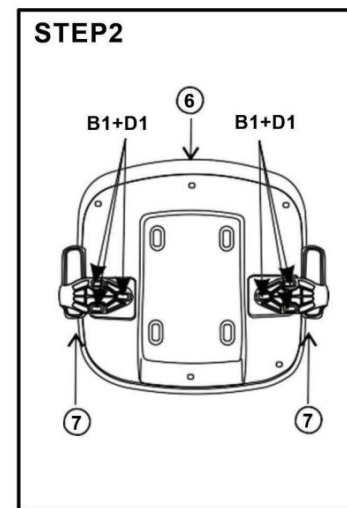
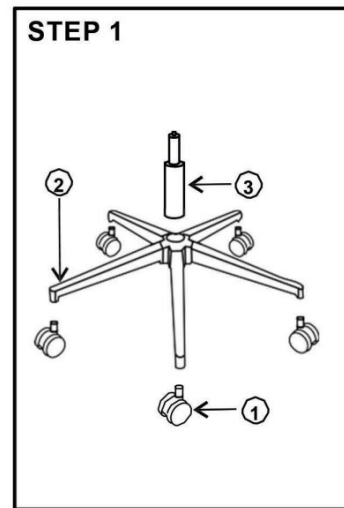
CHAIR INSTRUCTIONS

PART LIST



HARDWARES

A1		M8x40 3 PCS	C1		M5x20 2 PCS		ALLEN WRENCH
B1		M6*40 10PCS	D1		10PCS		



SUNLINE

FREQUENTLY ASKED QUESTIONS

FREQUENTLY ASKED QUESTIONS

Q: Are the panels non-tackable and non-acoustical? Do they have an STC rating and/or NRC rating?

A: Our Sunline Signature panels are non-tackable and do not have a STC or NRC rating.

Our in-stock Sunline Select panels are non-tackable; however, if you're interested in tackable panels, we can special order them from our factory. They have a .35 NRC rating. No STC rating.

Q: What is the fiber content of the panel fabric?

A: Sunline Signature and Select panels are Polyester.

Q: Is panel fabric Class A?

A: Sunline Signature and Select panels are Class A.

Q: What is its colorfastness etc.?

A: Sunline Signature - Grade 2 to the light and Grade 4-5 for water, perspiration, soap wash, dry rub, and light chemicals.

Sunline Select - Grade 4

Q: What panel widths are available?

A: Sunline Signature In-Stock Panel Widths: 24", 36", and 48"

Sunline Signature Factory Order Panel Widths: 24", 30", 36", 42", 48", and 60" *custom sizes upon request

Sunline Select In-Stock Panel Widths: 24", 36", 39", and 48"

Sunline Select Factory Order Panel Widths: 24", 30", 36", 42", 48", and 60" *custom sizes upon request

Q: What are the worksurfaces made of? What is the worksurface thickness?

A: Our worksurfaces are LPL (low pressure laminate) with a vinyl edge. The thickness of the worksurface is 25mm (1"). The vinyl edge is 2mm (.08") thick.

FREQUENTLY ASKED QUESTIONS

Q: What is the grommet situation like? In some views, it appears there is a corner grommet only.

A: We have surfaces with and without grommets. Surfaces with grommets typically come with one corner grommet and all our corner worksurfaces have one grommet in the far back corner.

Q: Do the systems have belt line power?

A: Yes, both Signature and Select have the ability to run power in other locations in addition to the raceway. This can be done either integrated in the panel system or by a desk top mounted power device.

Q: Is all electrical UL listed?

A: Yes, our electrical components are UL listed.

Q. What storage options do you have to offer and what material are they made of?

A. All of our storage options are low pressure laminate. We have :

- Frosted sliding glass door
- Swinging door
- Standing desk base
- Full height box/box/file
- Full height file/file
- Mobile box/file with seat cushion
- 2-drawer lateral file
- Wardrobe cabinet
- Storage tower
- Low credenza side storage
- Overhead storage cabinet
- Overhead tasklight
- Hanging shelf
- Transaction top
- LM dual monitor arm
- Desktop sit-stand
- Double whiteboard
- Single magnetic whiteboard

Q: Do you have the ability to key alike?

A: Yes, keyed and alike, with master key available - full key program.

FREQUENTLY ASKED QUESTIONS

Q: Do you offer design services?

A: Yes, we provide complimentary design services to customers who purchase office cubicles from us, streamlining the process of creating an optimal workstation layout. Share your floor plan, along with your specific requirements and preferences, and our experienced team will craft customized design options using advanced CAD technology. Collaboratively, we will finalize a workspace layout that aligns with your vision and transforms your office into a functional and inspiring environment.

Q: What are your in-stock fabric options?

A: Sunline Signature in-stock fabric options:



Grey (BY20)

Accent / Base



Charcoal (BY22)

Accent / Base



Blue (BY25)

Accent



Medium Grey

Accent



Gold Rush

Accent



Pumpkin

Accent



Orange (BY01)

Accent



BY - Red

Accent



BY - OnGreen

Accent

Sunline Select in stock-fabric options:



In-Stock:

Greige

Q: What are your in-stock surface finish options?

A: Sunline Signature and Select in-stock finish options:



White



Walnut



Grey Fog



Storm Grey

SUNLINE FACTORY



4 million square feet

Sunline is a registered trademark of Arnold's Office Furniture

SUNLINE

CONTACT

313 W 4th Street
Bridgeport, PA 19405

PHONE:
610.937.4897



HOURS

24/7 Sales Availability

SHOWROOM HOURS

Monday - Friday
8:30 am - 6:00 pm EST

*Weekends by appointment

